



BoxMilano



materiali riciclabili
recyclable materials



qualità
quality



resistenza
endurance



leggerezza
lightness



installazione rapida
fast installation

Sistema di serrandine 100% alluminio fornito in kit pre-assemblato con compensatore di peso pre-caricato.

Disponibile in un ampio range di misure e accessori.

100% aluminium tambour door system supplied in pre-assembled kit with pre-charged weight compensator.

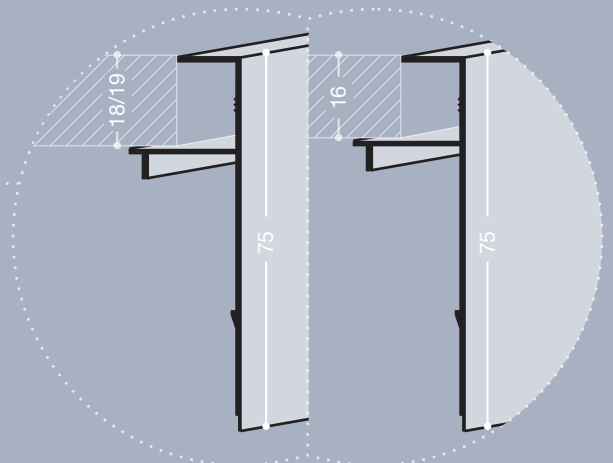
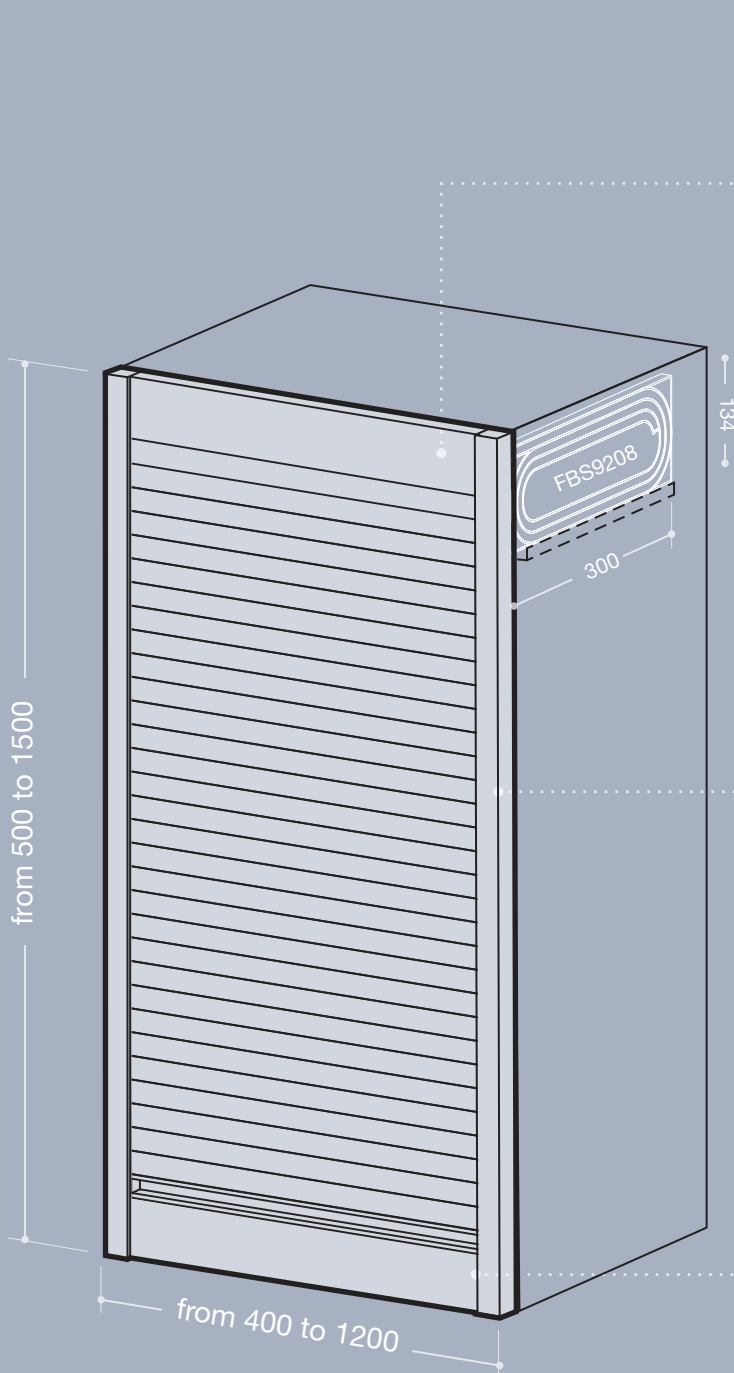
Available in a wide range of dimensions and accessories.



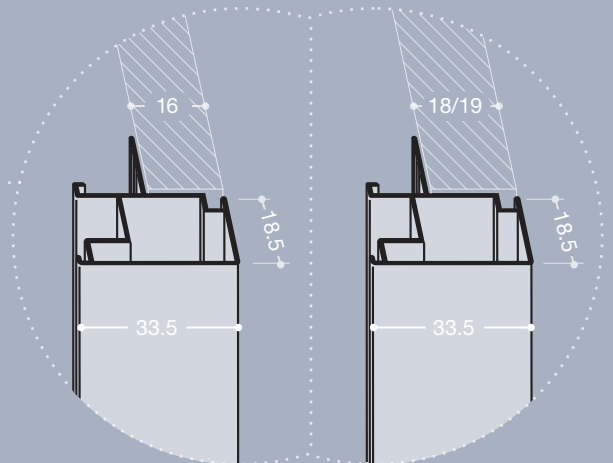
FBSprofilati®
s.r.l.

BOXMILANO

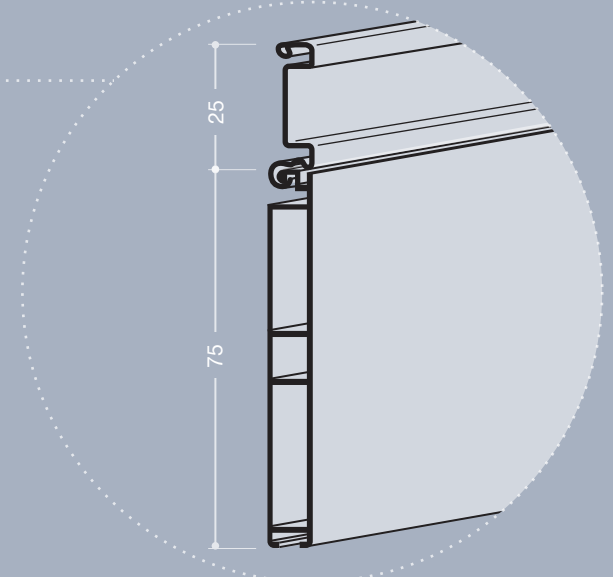
BM1 | BoxMilano Standard



PROFILO TOP / TOP PROFILE
cod. FBS7518 (pannelli da 18 - 19 mm)
cod. FBS7515 (pannelli da 16 mm)



PROFILO GUIDA / GUIDE PROFILE
cod. FBS7519 (pannelli da 18 - 19 mm)
cod. FBS7516 (pannelli da 16 mm)

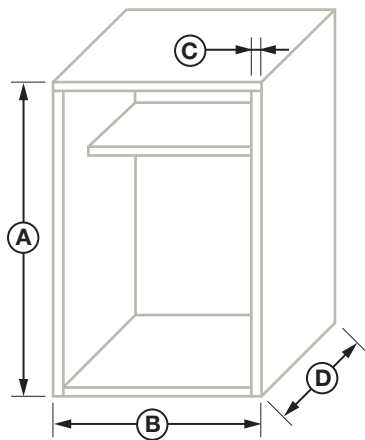


PROFILO CON MANIGLIA / PROFILE WITH HANDLE
cod. FBS7512 + FBS2010 (handle)

misure in mm - dimensions in mm

SPESSORE PANNELLO BOARD THICKNESS	16 / 18 / 19 mm
INGOMBRO INTERNO PISTA INTERNAL COILER DIMENSIONS	300 x 134 mm
ARRETRAMENTO RIPIANI SHELVES SETBACK	50 mm

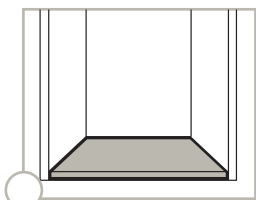
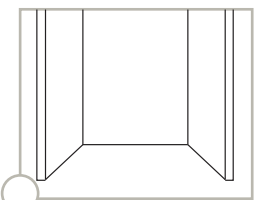
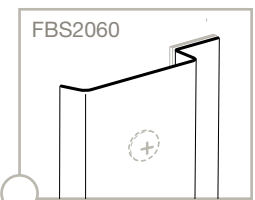
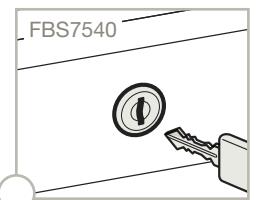
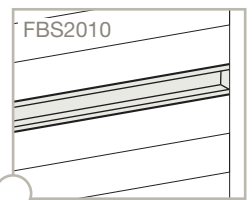

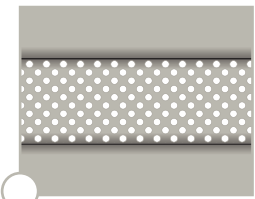
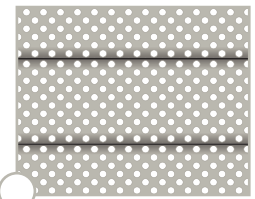
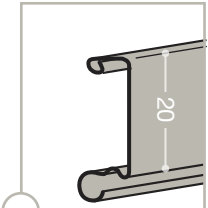
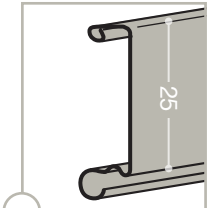
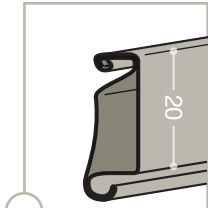
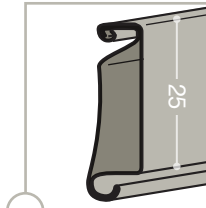
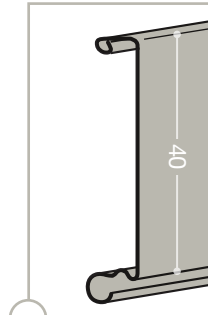
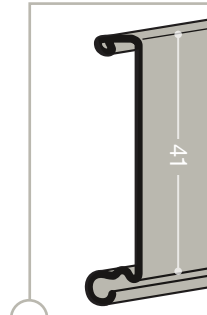
Compilare il presente modulo in tutte le sue parti per una corretta registrazione del vostro ordine.
Fill in this sheet in full for a correct processing of your order



Misure mobile / Cabinet dimensions

A	B	C	D	QUANTITÀ QUANTITY

Varianti / Options

 box con base box with basement	 box senza base box without basement	 FBS2060 profilo copriviti screw cover profile	 FBS7540 serratura lock	 FBS2010 maniglia intermedia intermediate handle
 standard	 wind mix	 wind		
 FBS2020	 FBS2125	 FBS2000 rinforzato reinforced	 FBS2025 rinforzato reinforced	 FBS2140
				 FBS2141 rinforzato reinforced

Finitura / Finishing

ANODIZZATI / ANODIZED

- A - brushed
- A2 - inox brushed
- B - mill finish
- B2 - mill inox
- BR2 - matt bronze
- SN - sat nat

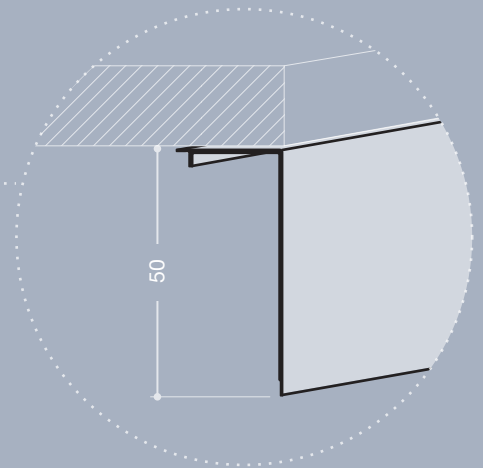
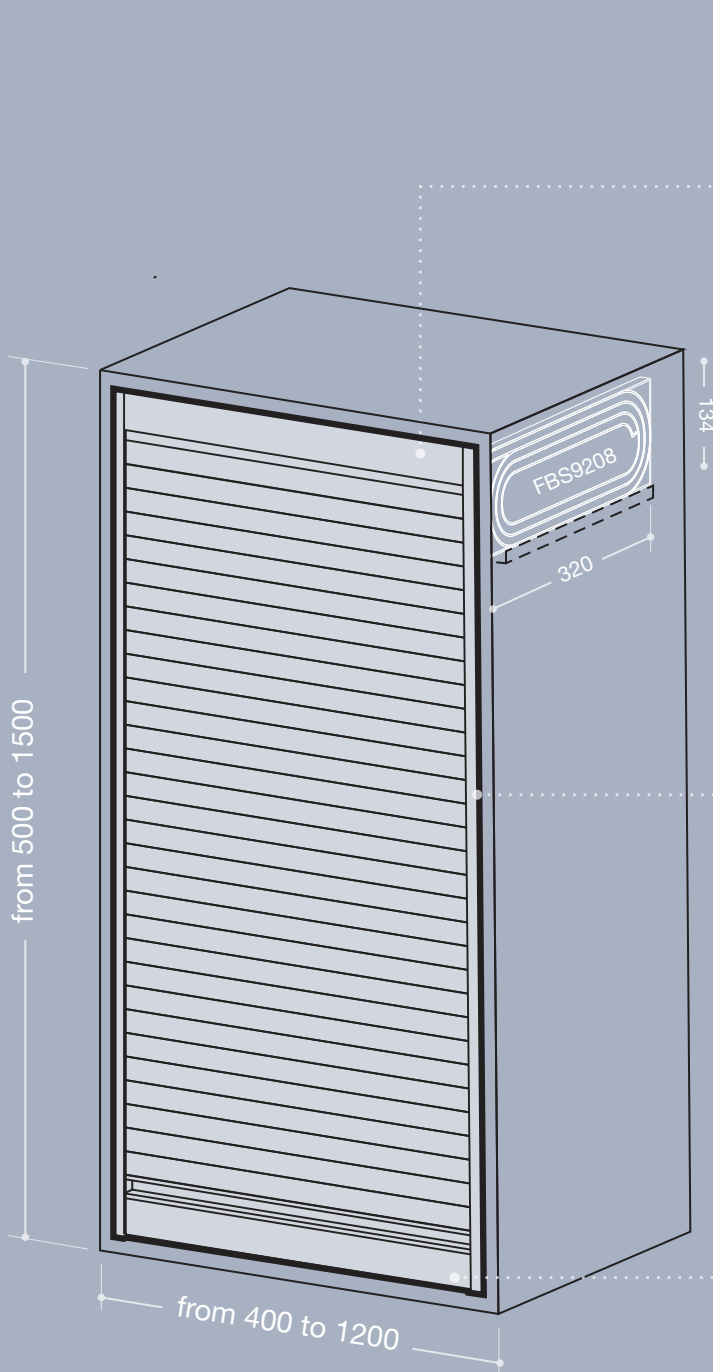
PREVERNICIATI / PREPAINTED

- U5 - alumatt
- U6 - inox
- M3 - white
- M4 - matt white
- L2 - matt black
- MO01 - mahogany
- FR01 - ash
- NC01 - walnut

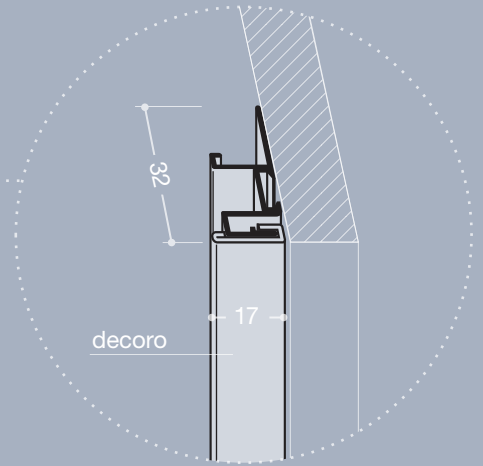
Alcune varianti di dogia non sono disponibili in tutte le finiture Some type of slat are not available in all the finishing

BOXMILANO

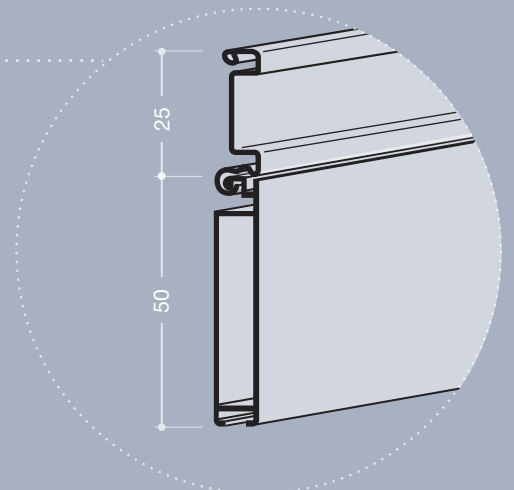
BM2 | BoxMilano Minimal



PROFILO TOP / TOP PROFILE
cod. FBS7556



PROFILO GUIDA / GUIDE PROFILE
cod. FBS7554 + FBS2063 (decoro)



PROFILO CON MANIGLIA / PROFILE WITH HANDLE
cod. FBS7547 + FBS2010 (handle)

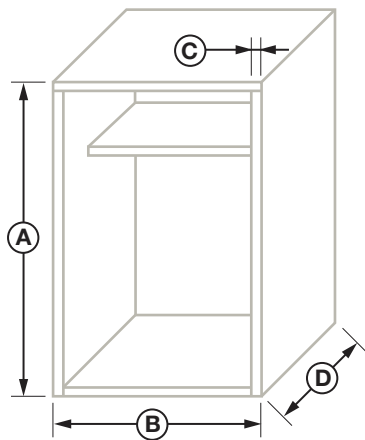
misure in mm - dimensions in mm

SPESSORE PANNELLO BOARD THICKNESS	qualsiasi / any
INGOMBRO INTERNO PISTA INTERNAL COILER DIMENSIONS	320 x 134 mm
ARRETRAMENTO RIPIANI SHELVES SETBACK	50 mm

BM2 MODULO D' ORDINE / ORDER SHEET



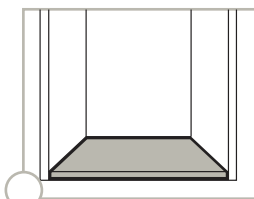
Compilare il presente modulo in tutte le sue parti per una corretta registrazione del vostro ordine.
Fill in this sheet in full for a correct processing of your order



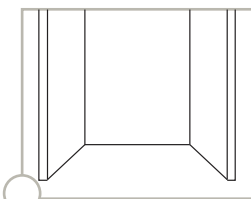
Misure mobile / Cabinet dimensions

A	B	C	D	QUANTITÀ QUANTITY

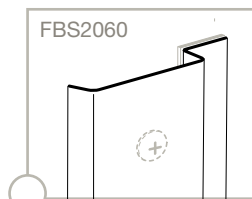
Varianti / Options



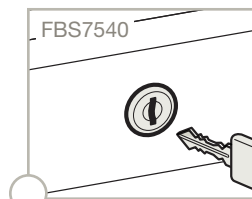
box con base
box with base



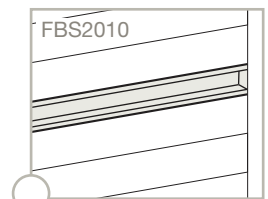
box senza base
box without base



profilo copriviti
screw cover profile



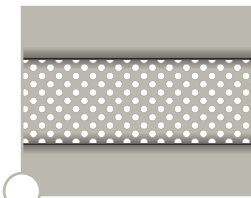
serratura
lock



maniglia intermedia
intermediate handle



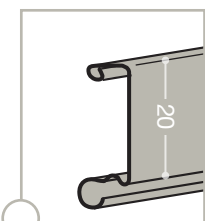
standard



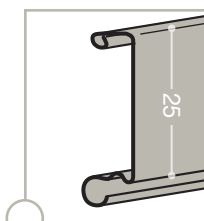
wind mix



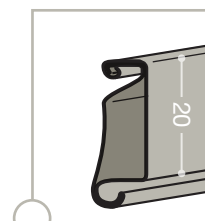
wind



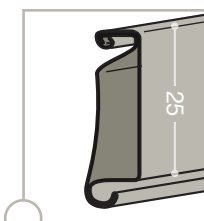
FBS2020



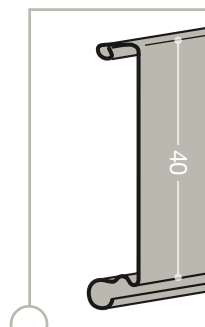
FBS2125



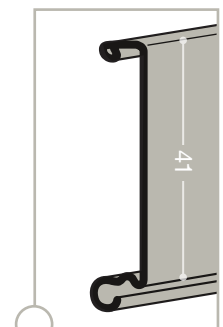
FBS2000
rinforzato reinforced



FBS2025
rinforzato reinforced



FBS2140



FBS2141
rinforzato reinforced

Finitura / Finishing

ANODIZZATI / ANODIZED

A - brushed

B2 - mill inox

A2 - inox brushed

BR2 - matt bronze

B - mill finish

SN - sat nat

PREVERNICIATI / PREPAINTED

U5 - alumatt

M4 - matt white

U6 - inox

L2 - matt black

M3 - white

MO01 - mahogany

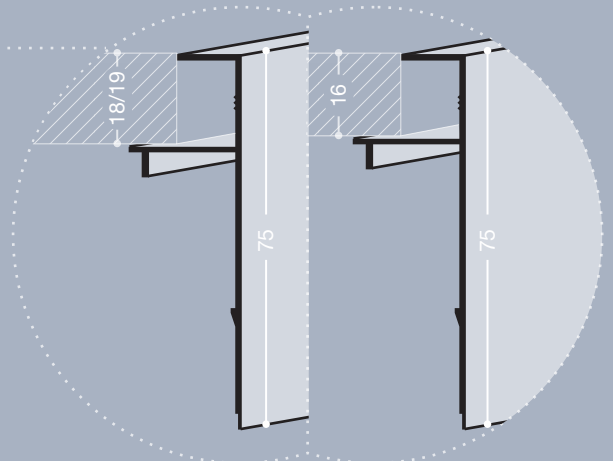
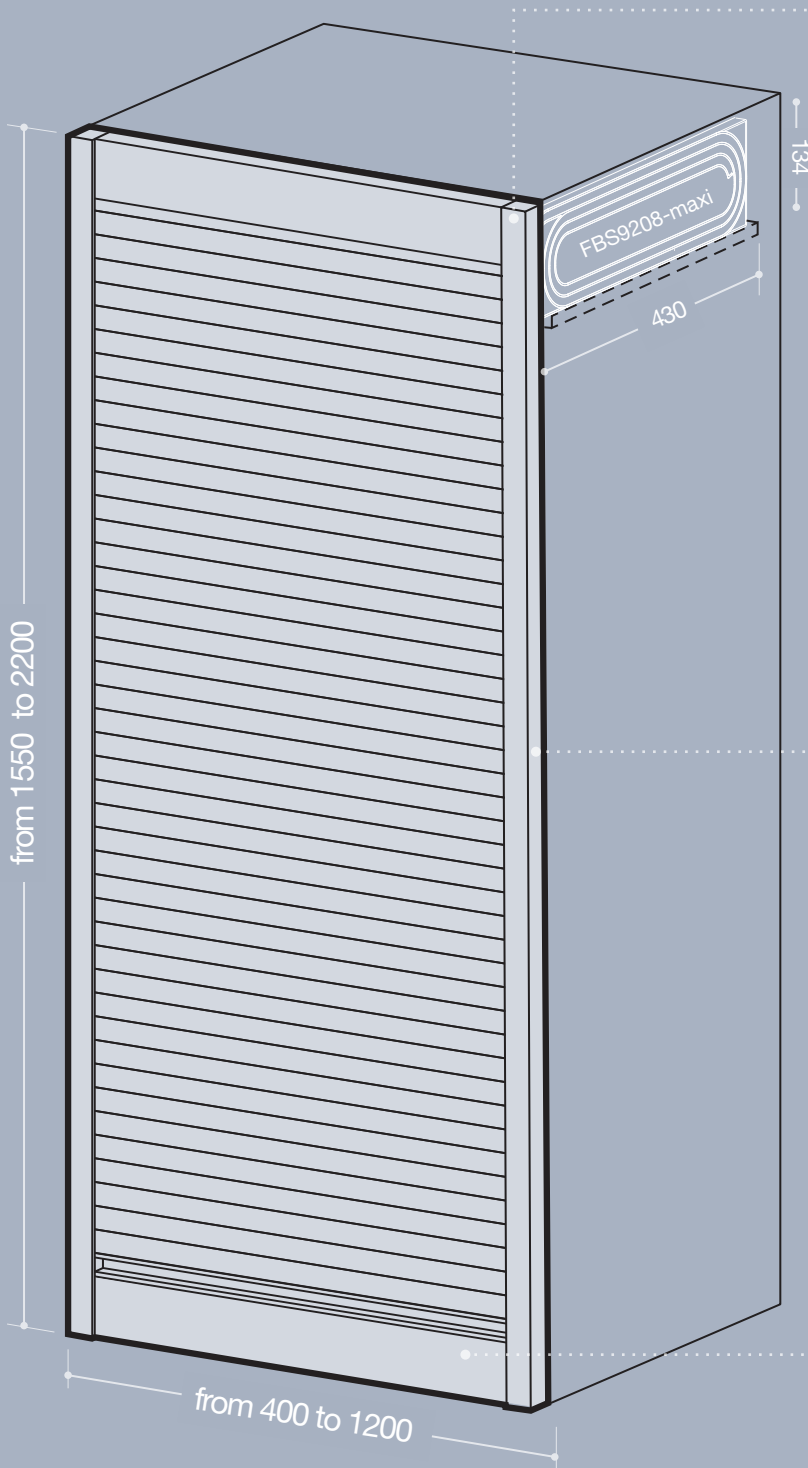
FR01 - ash

NC01 - walnut

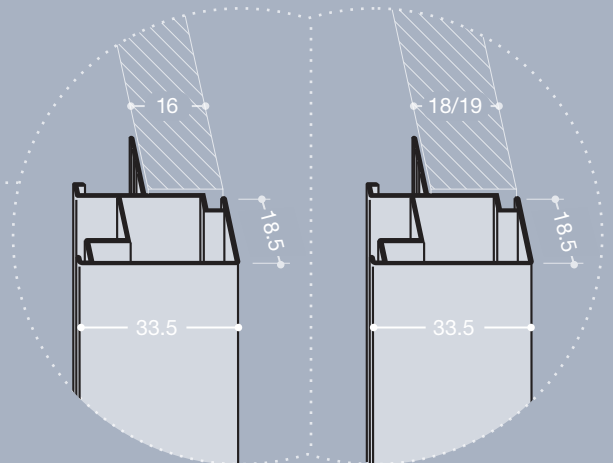
Alcune varianti di dogia non sono disponibili in tutte le finiture Some type of slat are not available in all the finishing

BOXMILANO

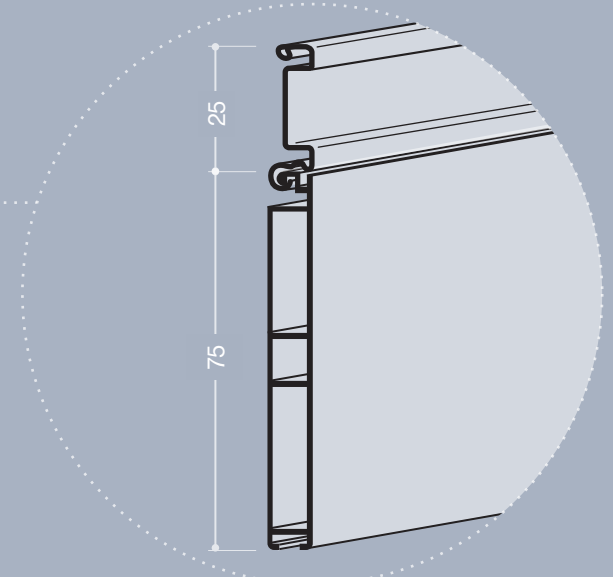
BM3 | Maxi BoxMilano



PROFILO TOP / TOP PROFILE
cod. FBS7518 (pannelli da 18 - 19 mm)
cod. FBS7515 (pannelli da 16 mm)



PROFILO GUIDA / GUIDE PROFILE
cod. FBS7519 (pannelli da 18 - 19 mm)
cod. FBS7516 (pannelli da 16 mm)



PROFILO CON MANIGLIA / PROFILE WITH HANDLE
cod. FBS7512 + FBS2010 (handle)

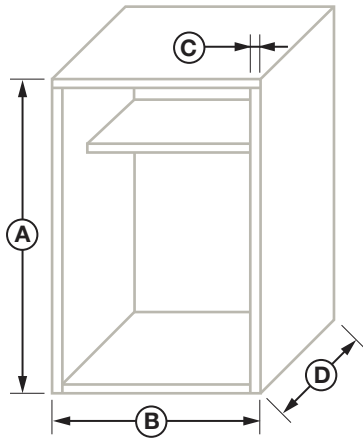
misure in mm - dimensions in mm

SPESSORE PANNELLO BOARD THICKNESS	16 / 18 / 19 mm
INGOMBRO INTERNO PISTA INTERNAL COILER DIMENSIONS	430 x 134 mm
ARRETRAMENTO RIPIANI SHELVES BACKING	50 mm

BM3 MODULO D' ORDINE / ORDER SHEET



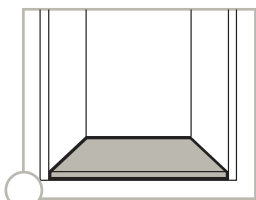
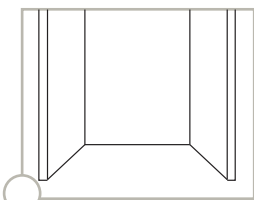
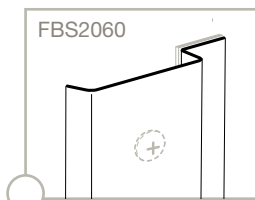
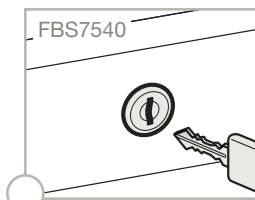
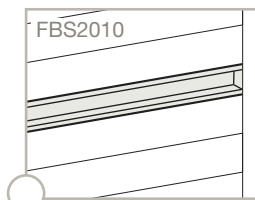

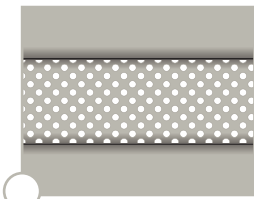

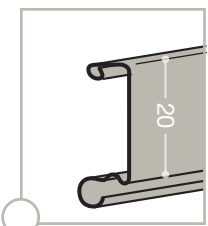
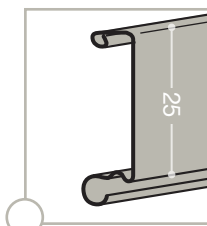
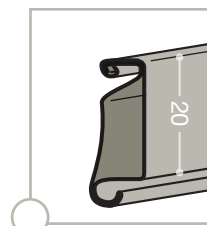
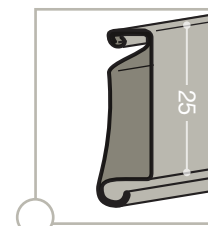
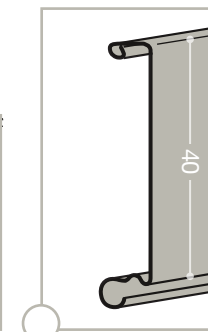
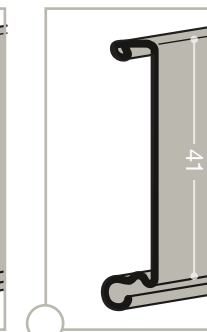
Compilare il presente modulo in tutte le sue parti per una corretta registrazione del vostro ordine.
Fill in this sheet in full for a correct processing of your order



Misure mobile / Cabinet dimensions

A	B	C	D	QUANTITÀ QUANTITY

Varianti / Options

 box con base box with basement	 box senza base box without basement	 FBS2060 profilo copriviti screw cover profile	 FBS7540 serratura lock	 FBS2010 maniglia intermedia intermediate handle
 standard	 wind mix	 wind		
 FBS2020	 FBS2125	 FBS2000 rinforzato reinforced	 FBS2025 rinforzato reinforced	 FBS2140
				 FBS2141 rinforzato reinforced

Finitura / Finishing

ANODIZZATI / ANODIZED

- | | |
|---|---|
| <input type="radio"/> A - brushed | <input type="radio"/> B2 - mill inox |
| <input type="radio"/> A2 - inox brushed | <input type="radio"/> BR2 - matt bronze |
| <input type="radio"/> B - mill finish | <input type="radio"/> SN - sat nat |

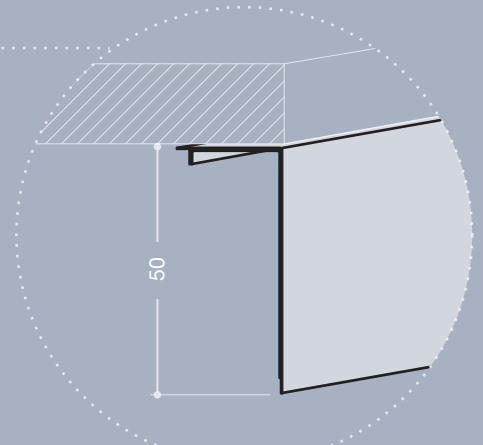
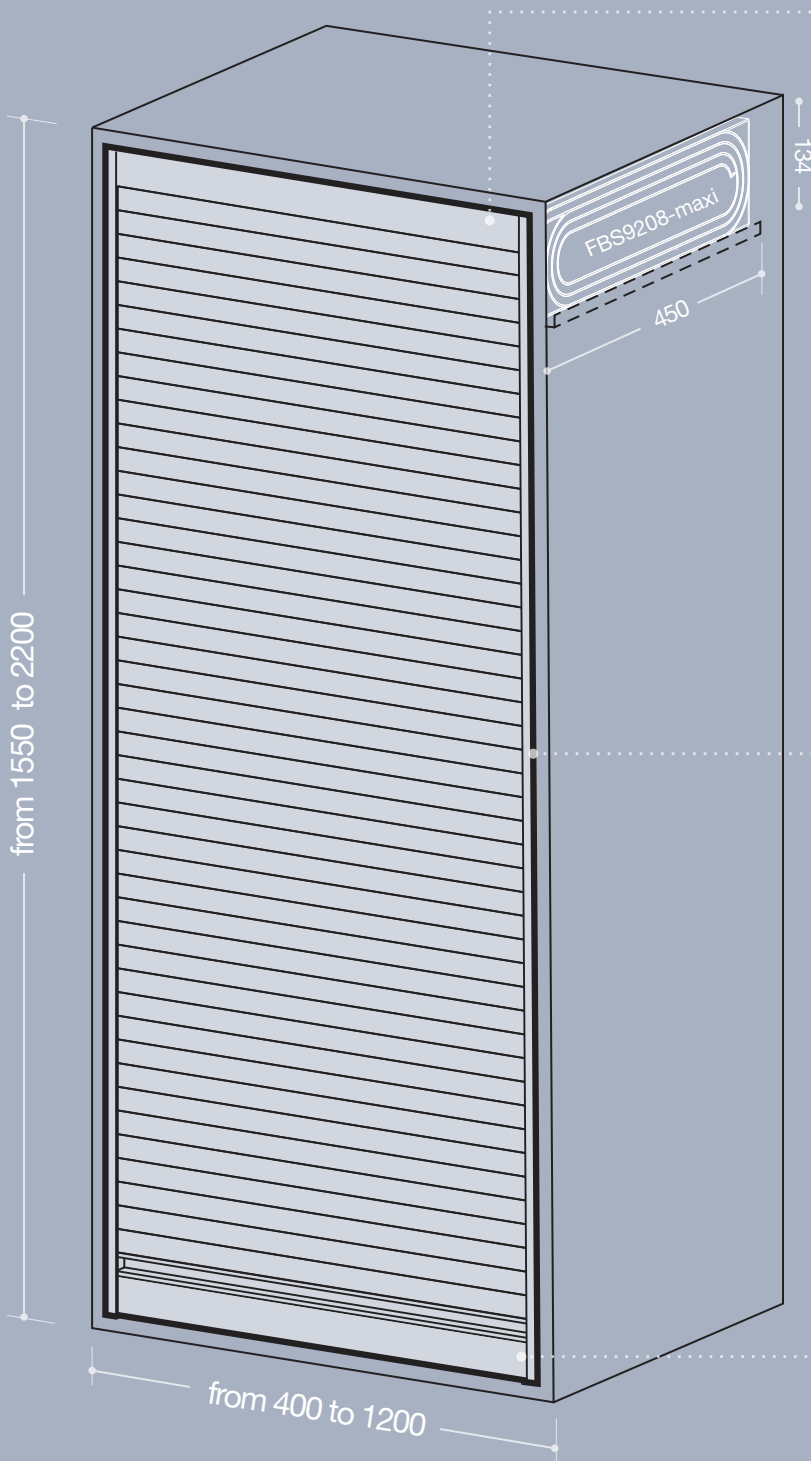
PREVERNICIATI / PREPAINTED

- | | | |
|------------------------------------|---------------------------------------|---------------------------------------|
| <input type="radio"/> U5 - alumatt | <input type="radio"/> M4 - matt white | <input type="radio"/> MO01 - mahogany |
| <input type="radio"/> U6 - inox | <input type="radio"/> L2 - matt black | <input type="radio"/> FR01 - ash |
| <input type="radio"/> M3 - white | | <input type="radio"/> NC01 - walnut |

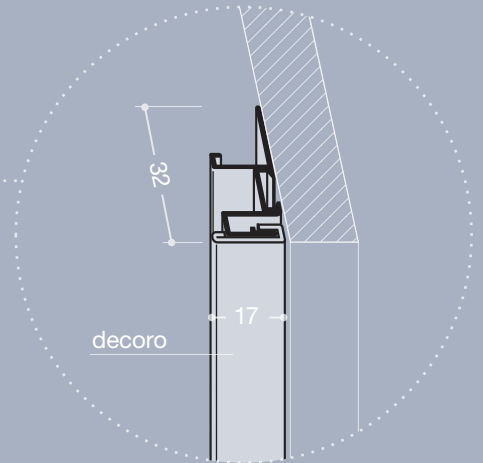
Alcune varianti di dogia non sono disponibili in tutte le finiture Some type of slat are not available in all the finishing

BOXMILANO

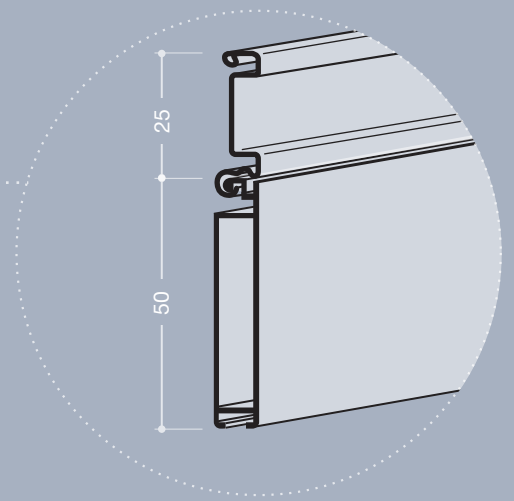
BM4 | Maxi BoxMilano Minimal



PROFILO TOP / TOP PROFILE
cod. FBS7556



PROFILO GUIDA / GUIDE PROFILE
cod. FBS7554 + FBS2063 (decoro)



PROFILO CON MANIGLIA / PROFILE WITH HANDLE
cod. FBS7547 + FBS2010 (handle)

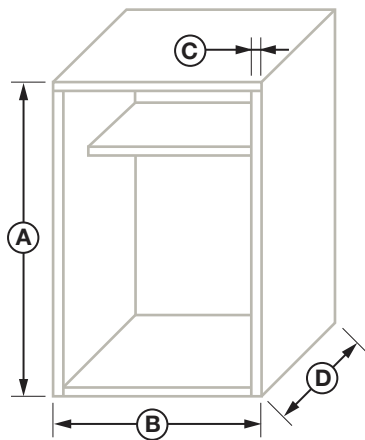
misure in mm - dimensions in mm

SPESSORE PANNELLO BOARD THICKNESS	qualsiasi / any
INGOMBRO INTERNO PISTA INTERNAL COILER DIMENSIONS	450 x 134 mm
ARRETRAMENTO RIPIANI SHELVES SETBACK	50 mm

BM4 MODULO D' ORDINE / ORDER SHEET



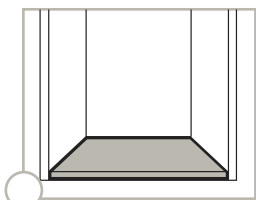
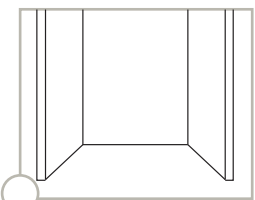
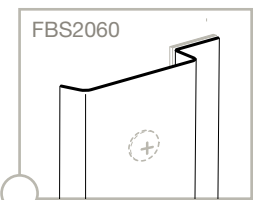
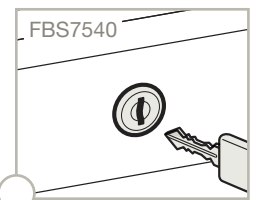
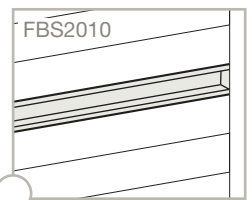

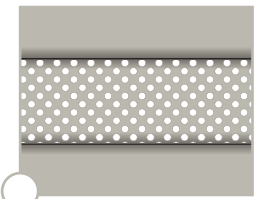

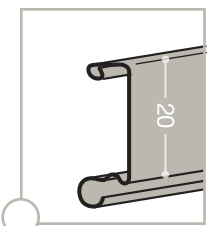
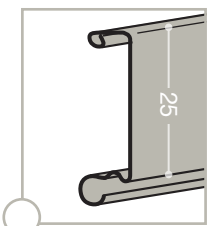
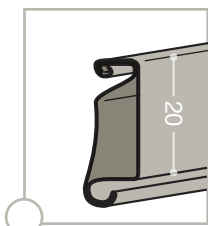
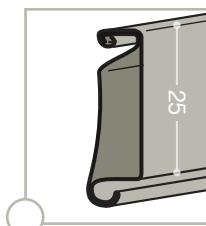
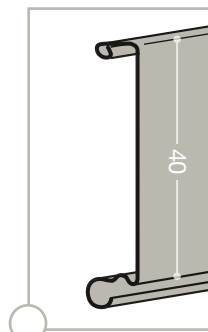
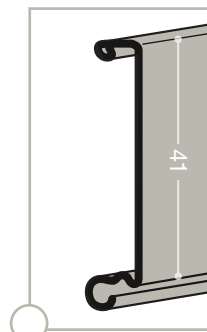
Compilare il presente modulo in tutte le sue parti per una corretta registrazione del vostro ordine.
Fill in this sheet in full for a correct processing of your order



Misure mobile / Cabinet dimensions

A	B	C	D	QUANTITÀ QUANTITY

Varianti / Options

 box con base box with basement	 box senza base box without basement	 FBS2060 profilo copriviti screw cover profile	 FBS7540 serratura lock	 FBS2010 maniglia intermedia intermediate handle
 standard	 wind mix	 wind		
 FBS2020	 FBS2125	 FBS2000 rinforzato reinforced	 FBS2025 rinforzato reinforced	 FBS2140
				 FBS2141 rinforzato reinforced

Finitura / Finishing

ANODIZZATI / ANODIZED

- | | |
|---|---|
| <input type="radio"/> A - brushed | <input type="radio"/> B2 - mill inox |
| <input type="radio"/> A2 - inox brushed | <input type="radio"/> BR2 - matt bronze |
| <input type="radio"/> B - mill finish | <input type="radio"/> SN - sat nat |

PREVERNICIATI / PREPAINTED

- | | | |
|------------------------------------|---------------------------------------|---------------------------------------|
| <input type="radio"/> U5 - alumatt | <input type="radio"/> M4 - matt white | <input type="radio"/> MO01 - mahogany |
| <input type="radio"/> U6 - inox | <input type="radio"/> L2 - matt black | <input type="radio"/> FR01 - ash |
| <input type="radio"/> M3 - white | | <input type="radio"/> NC01 - walnut |

Alcune varianti di dogia non sono disponibili in tutte le finiture Some type of slat are not available in all the finishing



SpecialSystem



materiali riciclabili
recyclable materials



qualità
quality



resistenza
endurance



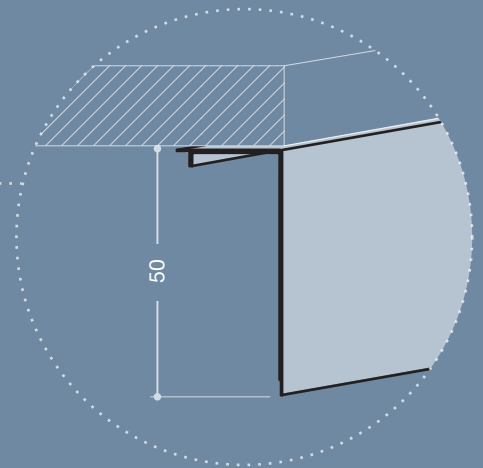
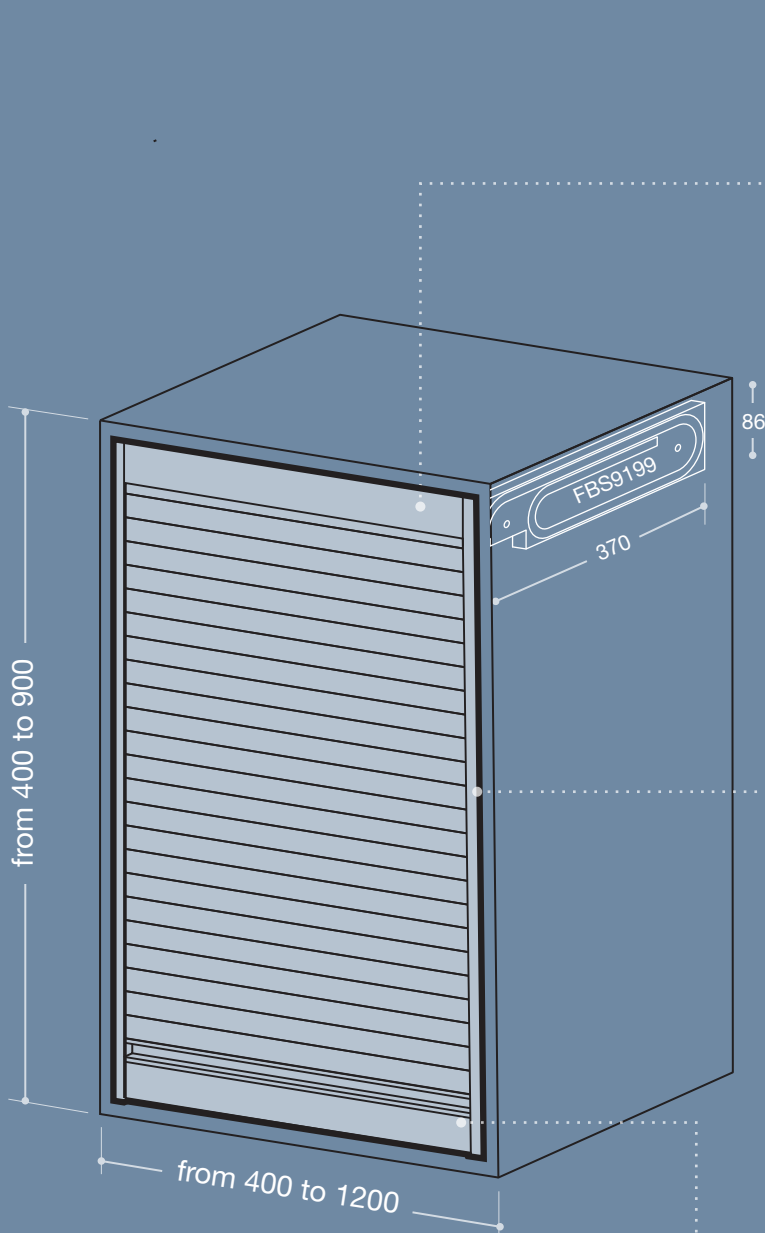
leggerezza
lightness



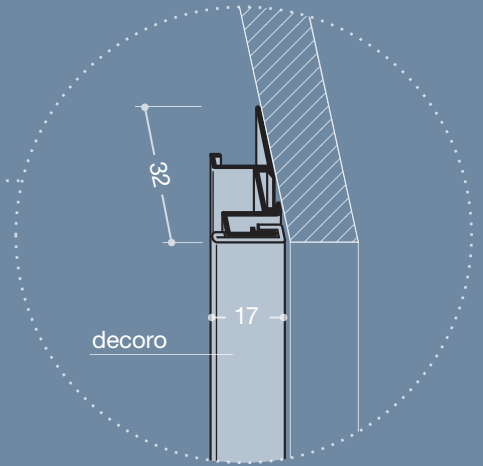
minimo ingombro
reduced dimensions

*Sistema di serrandine 100% alluminio fornito in kit con meccanismo a ingombro ridotto.
Disponibile in un ampio range di misure e accessori.
100% aluminium tambour door system supplied in kit with reduced mechanism dimensions.
Available in a wide range of dimensions and accessories.*

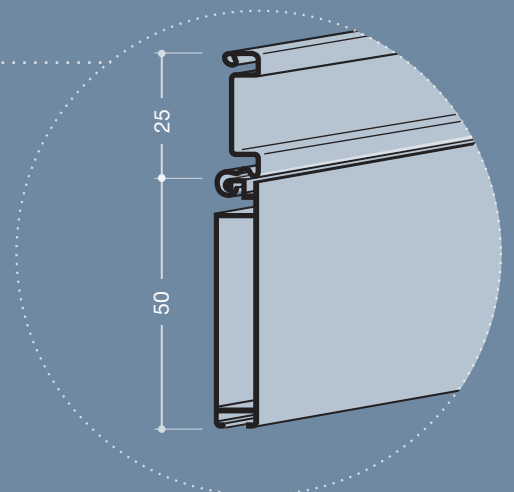
SP1 | SpecialSystem 9199 Minimal



PROFILO TOP / TOP PROFILE
cod. FBS7556



PROFILO GUIDA / GUIDE PROFILE
cod. FBS7554 + FBS2063 (decoro)



PROFILO CON MANIGLIA / PROFILE WITH HANDLE
cod. FBS7547 + FBS2010 (handle)

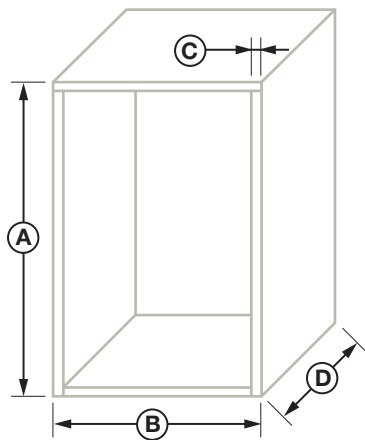
misure in mm - dimensions in mm

SPESSORE PANNELLO BOARD THICKNESS	qualsiasi / any
INGOMBRO INTERNO PISTA INTERNAL COILER DIMENSIONS	370 x 86 mm
ARRETRAMENTO RIPIANI SHELVES SETBACK	50 mm

SP1 MODULO D' ORDINE / ORDER SHEET



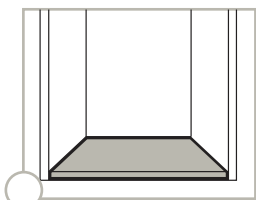
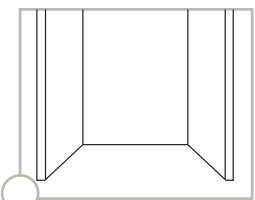
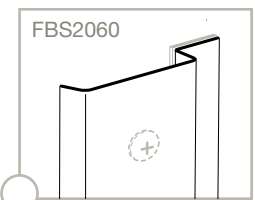
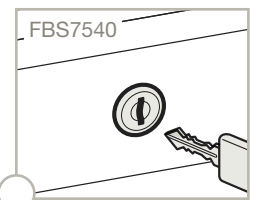
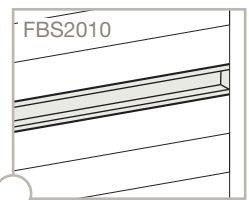

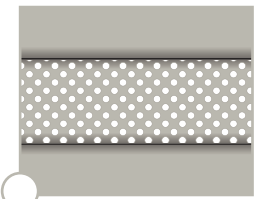
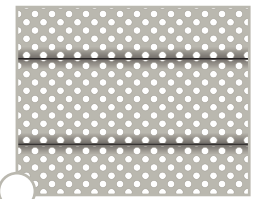
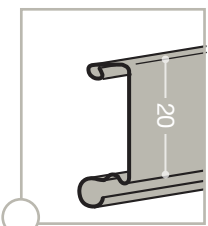
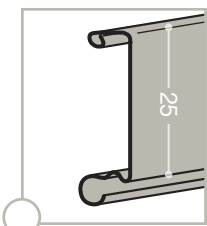
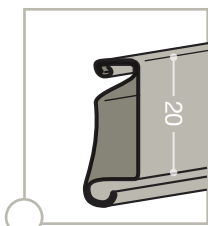
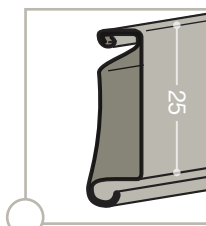
Compilare il presente modulo in tutte le sue parti per una corretta registrazione del vostro ordine.
Fill in this sheet in full for a correct processing of your order



Misure mobile / Cabinet dimensions

A	B	C	D	QUANTITÀ QUANTITY

Varianti / Options

 box con base box with basement	 box senza base box without basement	 FBS2060 profilo copriviti screw cover profile	 FBS7540 serratura lock	 FBS2010 maniglia intermedia intermediate handle
 standard	 wind mix	 wind		
 FBS2020	 FBS2125	 FBS2000 rinforzato reinforced	 FBS2025 rinforzato reinforced	

Finitura / Finishing

ANODIZZATI / ANODIZED

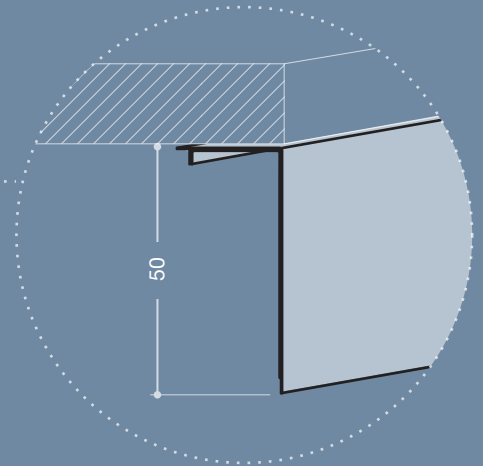
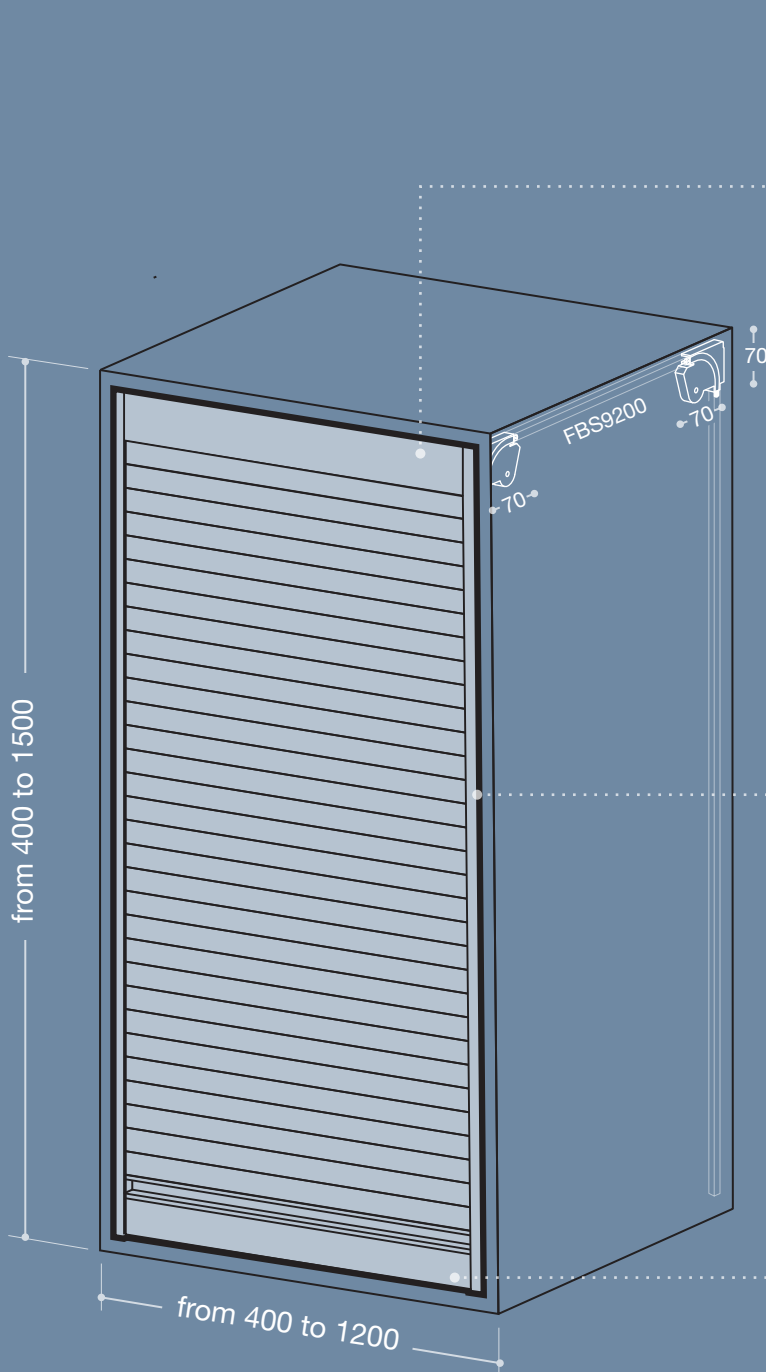
- A - brushed
- B2 - mill inox
- A2 - inox brushed
- BR2 - matt bronze
- B - mill finish
- SN - sat nat

PREVERNICIATI / PREPAINTED

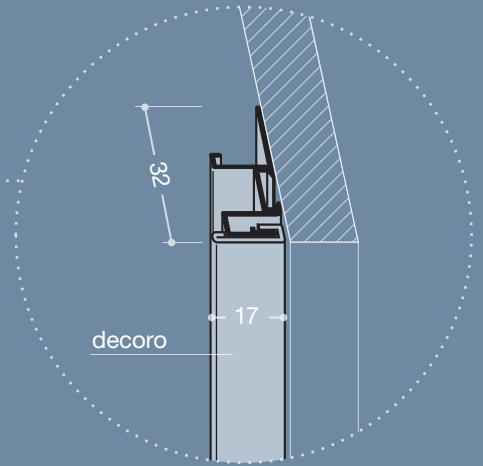
- U5 - alumatt
- M4 - matt white
- U6 - inox
- L2 - matt black
- M3 - white
- MO01 - mahogany
- FR01 - ash
- NC01 - walnut

Alcune varianti di dogia non sono disponibili in tutte le finiture Some type of slat are not available in all the finishing

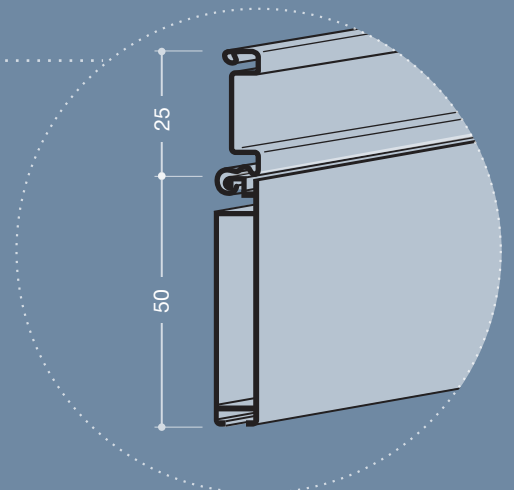
SP2 | SpecialSystem 9200 Minimal



PROFILO TOP / TOP PROFILE
cod. FBS7556



PROFILO GUIDA / GUIDE PROFILE
cod. FBS7554 + FBS2063 (decoro)



PROFILO CON MANIGLIA / PROFILE WITH HANDLE
cod. FBS7547 + FBS2010 (handle)

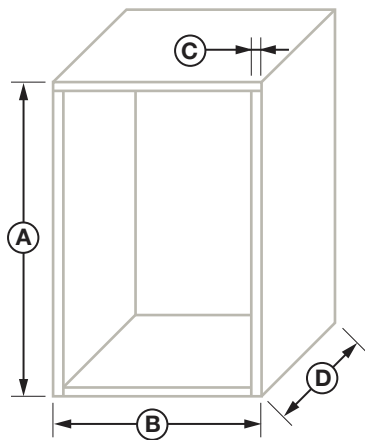
misure in mm - dimensions in mm

SPESSORE PANNELLO BOARD THICKNESS	qualsiasi / any
INGOMBRO INTERNO PISTA INTERNAL COILER DIMENSIONS	70 x 70 mm
ARRETRAMENTO RIPIANI SHELVES SETBACK	50 mm

SP2 MODULO D' ORDINE / ORDER SHEET



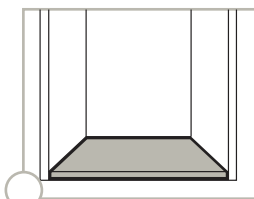
Compilare il presente modulo in tutte le sue parti per una corretta registrazione del vostro ordine.
Fill in this sheet in full for a correct processing of your order



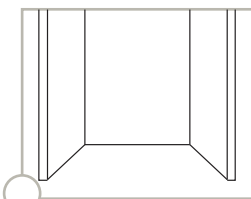
Misure mobile / Cabinet dimensions

A	B	C	D	QUANTITÀ QUANTITY

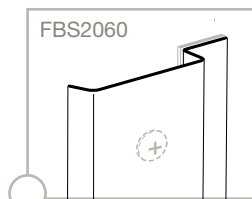
Varianti / Options



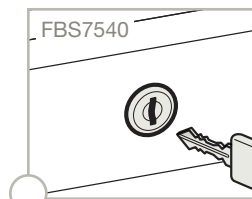
box con base
box with basement



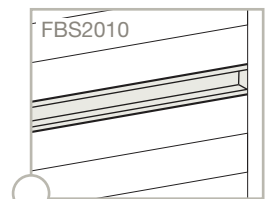
box senza base
box without basement



profilo copriviti
screw cover profile



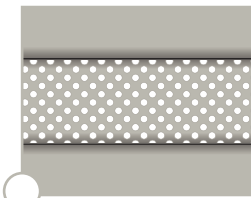
serratura
lock



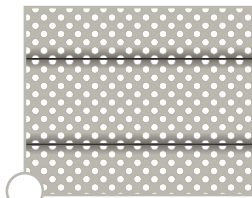
maniglia intermedia
intermediate handle



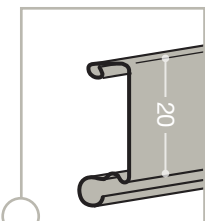
standard



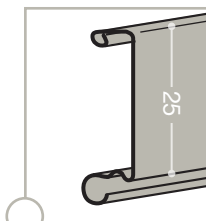
wind mix



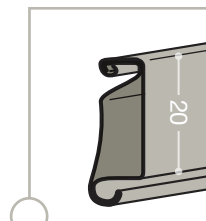
wind



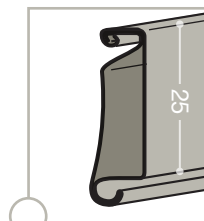
FBS2020



FBS2125



FBS2000
rinforzato reinforced



FBS2025
rinforzato reinforced

Finitura / Finishing

ANODIZZATI / ANODIZED

- A - brushed
 A2 - inox brushed
 B - mill finish

- B2 - mill inox
 BR2 - matt bronze
 SN - sat nat

PREVERNICIATI / PREPAINTED

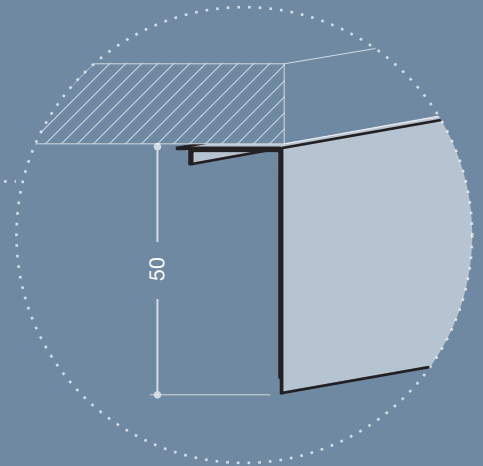
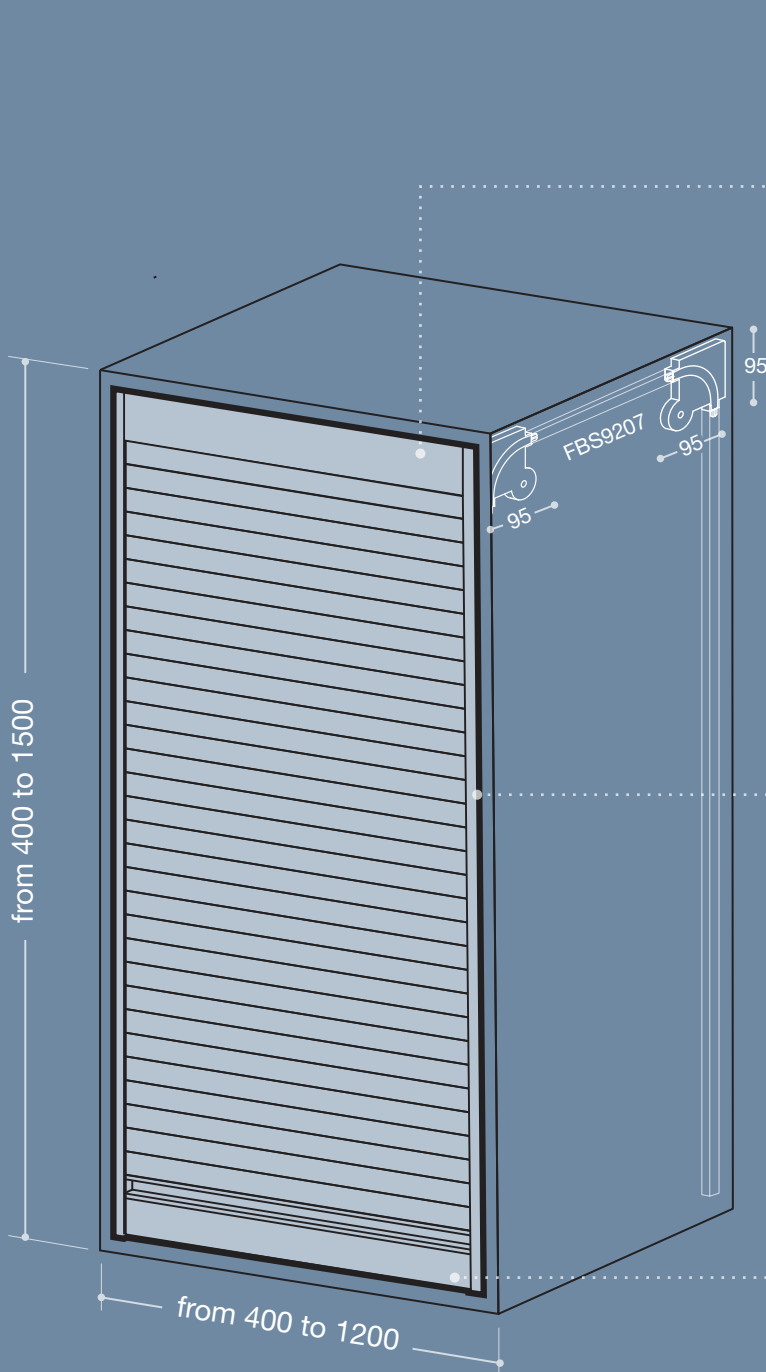
- U5 - alumatt
 U6 - inox
 M3 - white

- M4 - matt white
 L2 - matt black

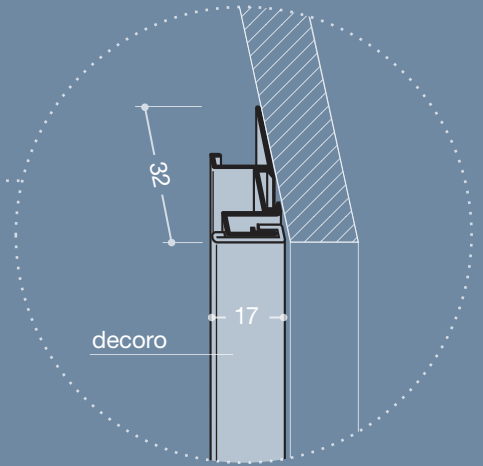
- MO01 - mahogany
 FR01 - ash
 NC01 - walnut

Alcune varianti di dogia non sono disponibili in tutte le finiture Some type of slat are not available in all the finishing

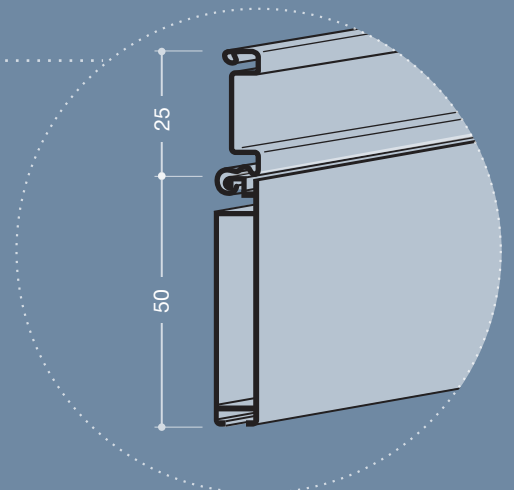
SP3 | SpecialSystem 9207 Minimal



PROFILO TOP / TOP PROFILE
cod. FBS7556



PROFILO GUIDA / GUIDE PROFILE
cod. FBS7554 + FBS2063 (decoro)



PROFILO CON MANIGLIA / PROFILE WITH HANDLE
cod. FBS7547 + FBS2010 (handle)

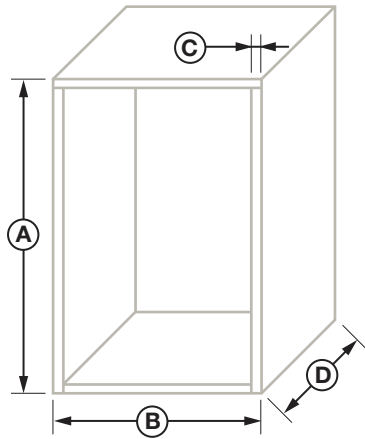
misure in mm - dimensions in mm

SPESSORE PANNELLO BOARD THICKNESS	qualsiasi / any
INGOMBRO INTERNO PISTA INTERNAL COILER DIMENSIONS	95 x 95 mm
ARRETRAMENTO RIPIANI SHELVES SETBACK	50 mm

SP3 MODULO D' ORDINE / ORDER SHEET



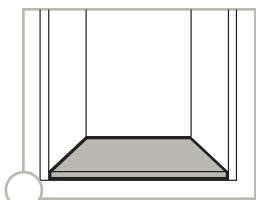
Compilare il presente modulo in tutte le sue parti per una corretta registrazione del vostro ordine.
Fill in this sheet in full for a correct processing of your order



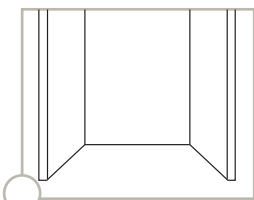
Misure mobile / Cabinet dimensions

A	B	C	D	QUANTITÀ QUANTITY

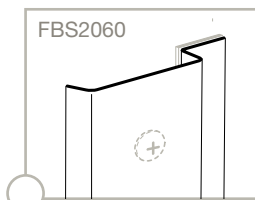
Varianti / Options



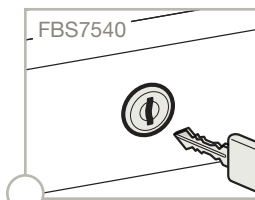
box con base
box with basement



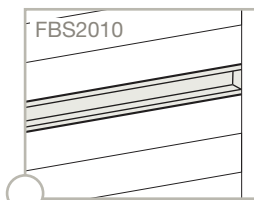
box senza base
box without basement




FBS2060
profilo copriviti
screw cover profile



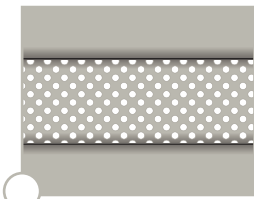
FBS7540
serratura
lock



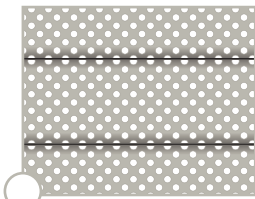
FBS2010
maniglia intermedia
intermediate handle



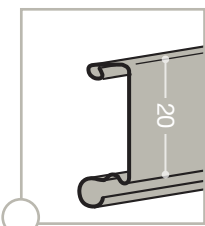
standard



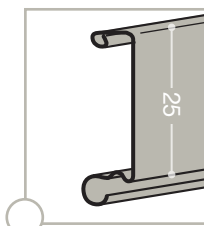
wind mix



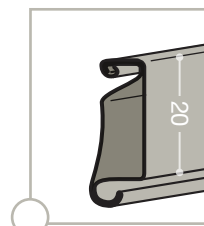
wind



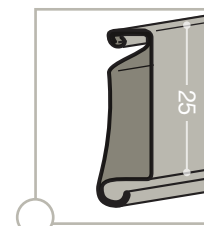
FBS2020



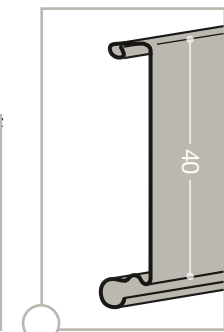
FBS2125



FBS2000
rinforzato reinforced



FBS2025
rinforzato reinforced



FBS2140

Finitura / Finishing

ANODIZZATI / ANODIZED

- A - brushed
- A2 - inox brushed
- B - mill finish
- B2 - mill inox
- BR2 - matt bronze
- SN - sat nat

PREVERNICIATI / PREPAINTED

- U5 - alumatt
- U6 - inox
- M3 - white
- M4 - matt white
- L2 - matt black
- MO01 - mahogany
- FR01 - ash
- NC01 - walnut

Alcune varianti di dogia non sono disponibili in tutte le finiture. Some type of slat are not available in all the finishing



TopSystem



materiali riciclabili
recyclable materials



qualità
quality



resistenza
endurance



leggerezza
lightness

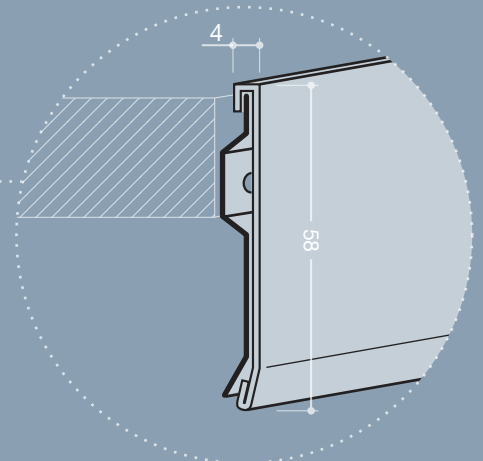
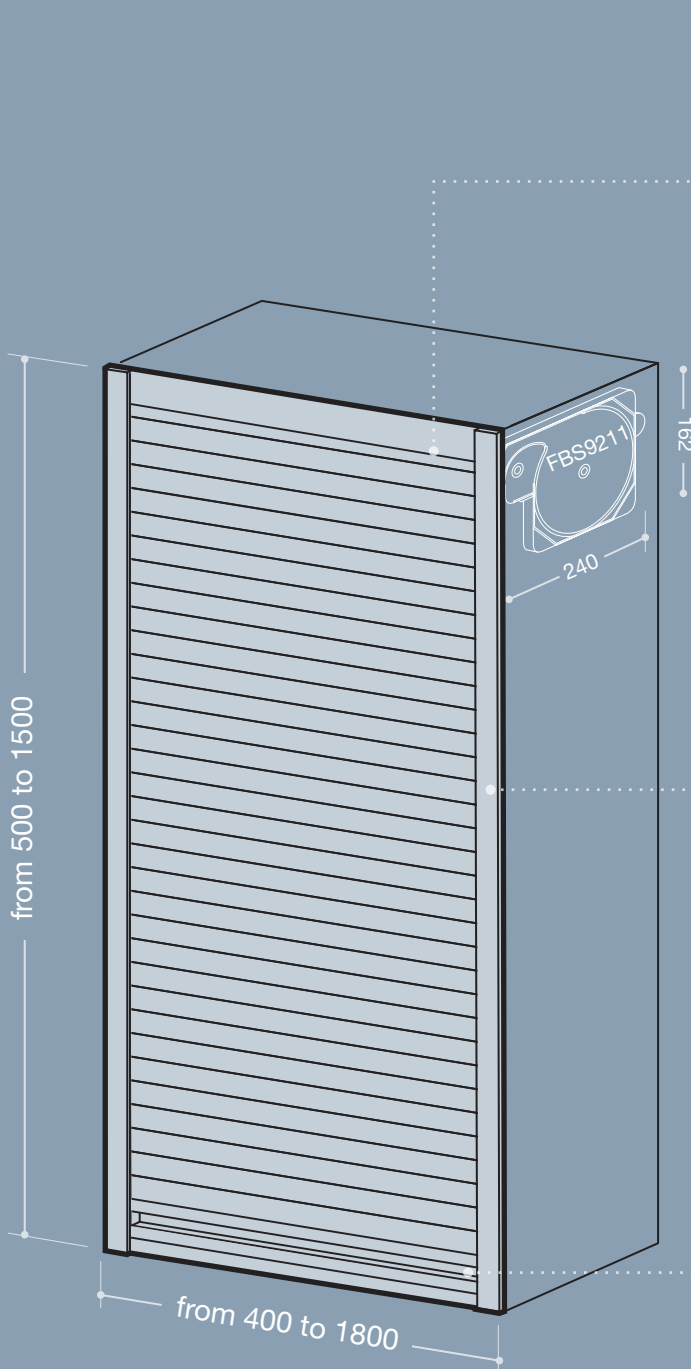


installazione rapida
fast installation

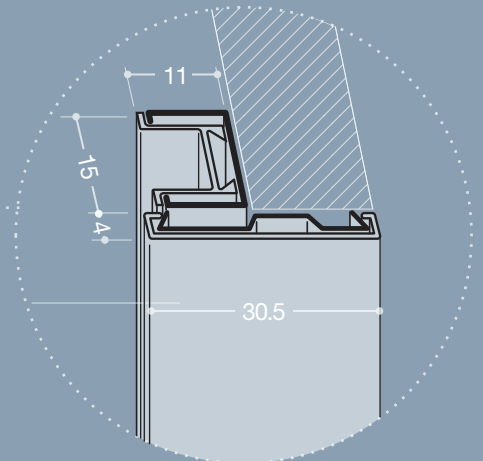
.....

Sistema di serrandine 100% alluminio fornito in kit con avvolgimento a rullo e sistema di compensazione a molle. Disponibile in un ampio range di misure e accessori.
100% aluminium tambour door system supplied in kit with box and springs coiler.
Available in a wide range of dimensions and accessories.

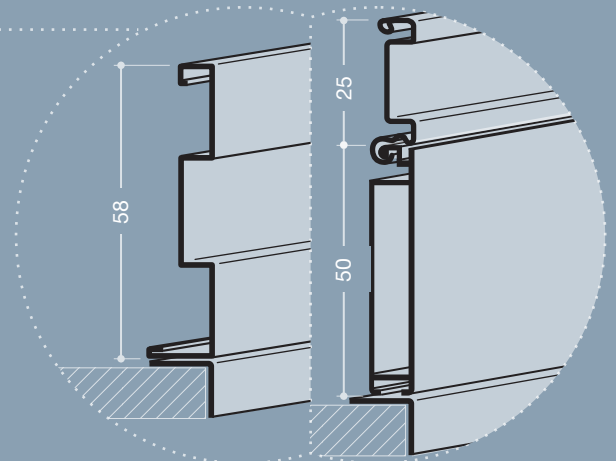
TS1 | TopSystem 9211



PROFILO TOP / TOP PROFILE
cod. FBS2008 + FBS 2029 (supporto)



PROFILO GUIDA / GUIDE PROFILE
cod. FBS2014 + FBS6501
DECORO / DECORATIVE PROFILE
cod. FBS2030 + FBS2028 (supporto)

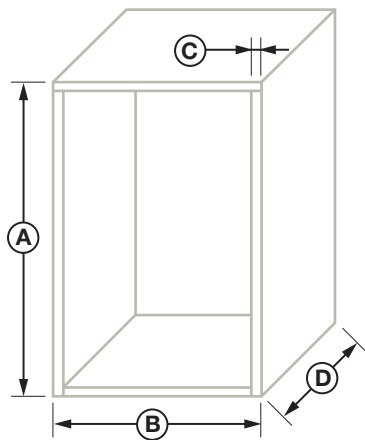


PROFILO CON MANIGLIA / PROFILE WITH HANDLE
cod. FBS2011 + FBS2031 (angolare)
CON SERRATURA: cod. FBS2010 + FBS7547 + FBS2031 (angolare)

misure in mm - dimensions in mm

SPESSORE PANNELLO BOARD THICKNESS	16 / 18 / 19 mm
INGOMBRO INTERNO PISTA INTERNAL COILER DIMENSIONS	240 x 162 mm
ARRETRAMENTO RIPIANI SHELVES SETBACK	50 mm

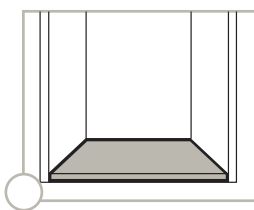
Compilare il presente modulo in tutte le sue parti per una corretta registrazione del vostro ordine.
Fill in this sheet in full for a correct processing of your order



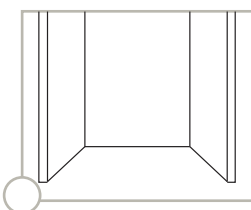
Misure mobile / Cabinet dimensions

A	B	C	D	QUANTITÀ QUANTITY

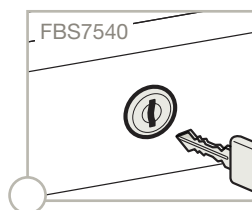
Varianti / Options



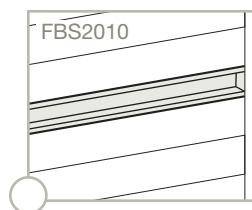
box con base
box with basement



box senza base
box without basement



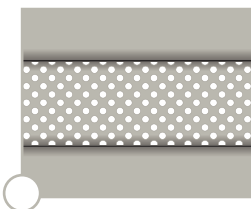
serratura
lock



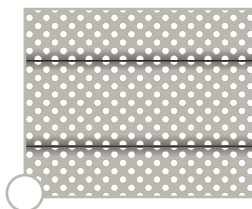
maniglia intermedia
intermediate handle



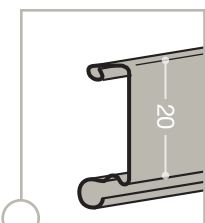
standard



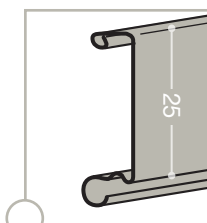
wind mix



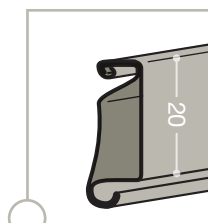
wind



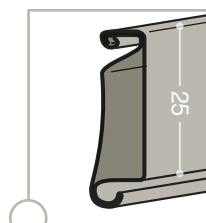
FBS2020



FBS2125



FBS2000
rinforzato reinforced



FBS2025
rinforzato reinforced

Finiture / Finishing

ANODIZZATI / ANODIZED

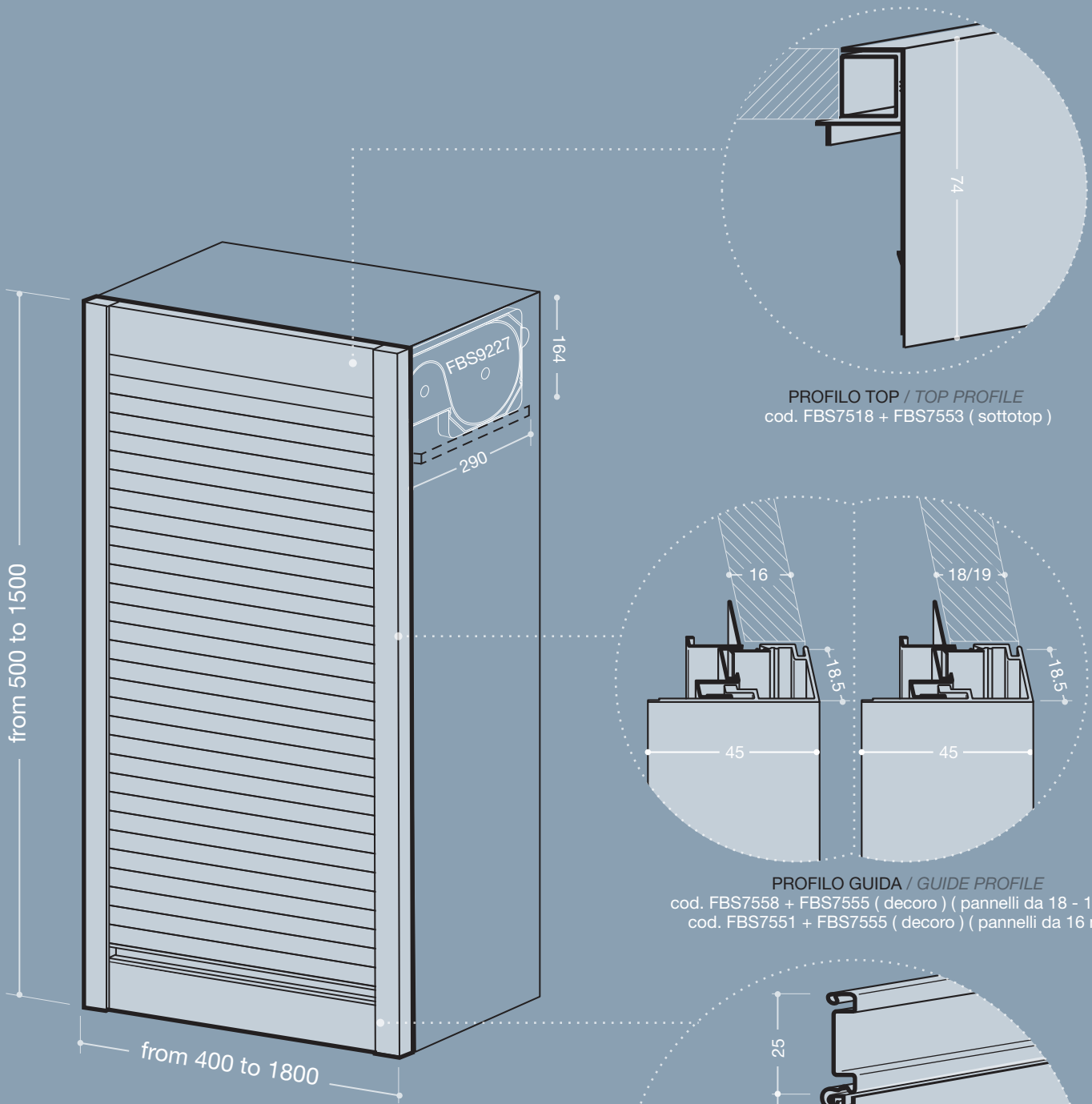
- A - brushed
- A2 - inox brushed
- B - mill finish
- B2 - mill inox
- BR2 - matt bronze
- SN - sat nat

PREVERNICIATI / PREPAINTED

- U5 - alumatt
- U6 - inox
- M3 - white
- M4 - matt white
- L2 - matt black
- MO01 - mahogany
- FR01 - ash
- NC01 - walnut

Alcune varianti di dogia non sono disponibili in tutte le finiture Some type of slat are not available in all the finishing

TS2 | TopSystem 9227



misure in mm - dimensions in mm

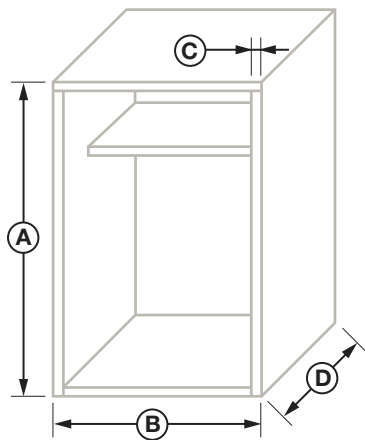
SPESSORE PANNELLO BOARD THICKNESS	16 / 18 / 19 mm
INGOMBRO INTERNO PISTA INTERNAL COILER DIMENSIONS	290 x 164 mm
ARRETRAMENTO RIPIANI SHELVES SETBACK	50 mm

PROFILO CON MANIGLIA / PROFILE WITH HANDLE
cod. FBS7512 + FBS2010 (handle)

TS2 MODULO D' ORDINE / ORDER SHEET



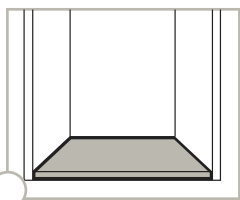
Compilare il presente modulo in tutte le sue parti per una corretta registrazione del vostro ordine.
Fill in this sheet in full for a correct processing of your order



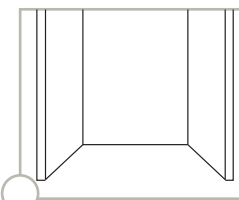
Misure mobile / Cabinet dimensions

A	B	C	D	QUANTITÀ QUANTITY

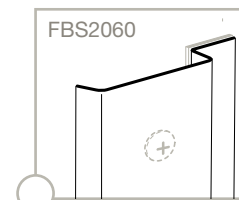
Varianti / Options



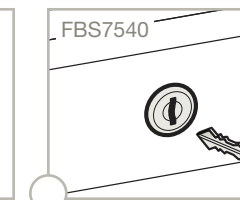
box con base
box with basement



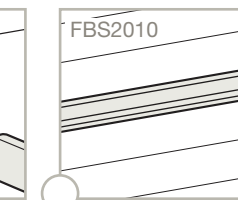
box senza base
box without basement




FBS2060
profilo copriviti
screw cover profile



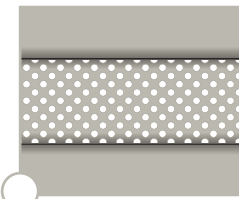
FBS7540
serratura
lock



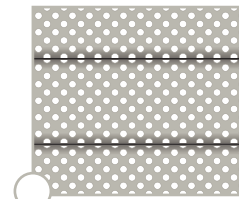
FBS2010
maniglia intermedia
intermediate handle



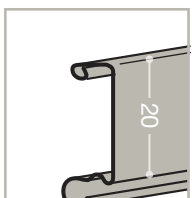
standard



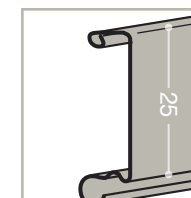
wind mix



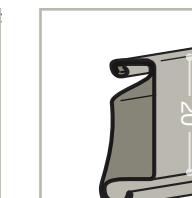
wind



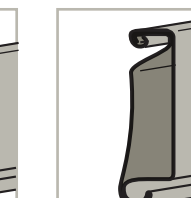
FBS2020



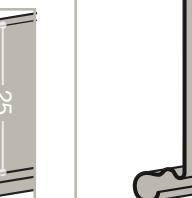
FBS2125



FBS2000
rinforzato reinforced



FBS2025
rinforzato reinforced



FBS2140

Finiture / Finishing

ANODIZZATI / ANODIZED

- A - brushed
- A2 - inox brushed
- B - mill finish
- B2 - mill inox
- BR2 - matt bronze
- SN - sat nat

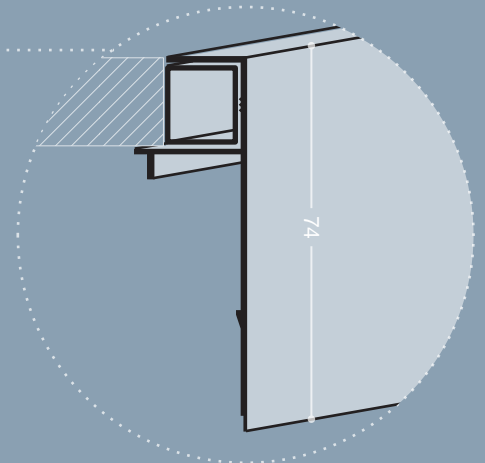
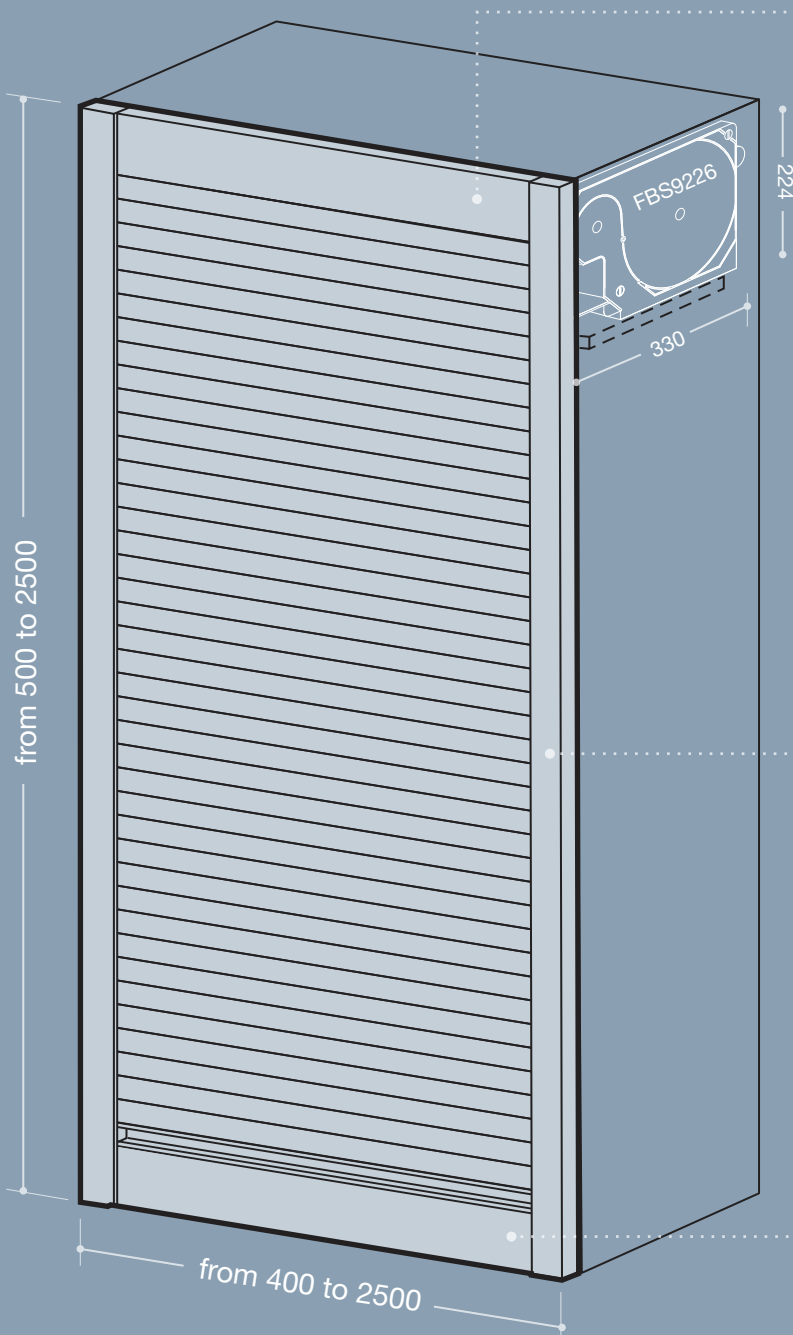
PREVERNICIATI / PREPAINTED

- U5 - alumatt
- U6 - inox
- M3 - white
- M4 - matt white
- L2 - matt black
- MO01 - mahogany
- FR01 - ash
- NC01 - walnut

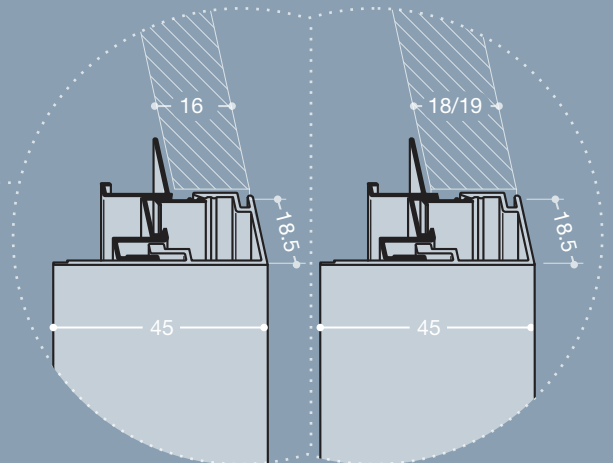
Alcune varianti di dogia non sono disponibili in tutte le finiture Some type of slat are not available in all the finishing

TOPSYSTEM

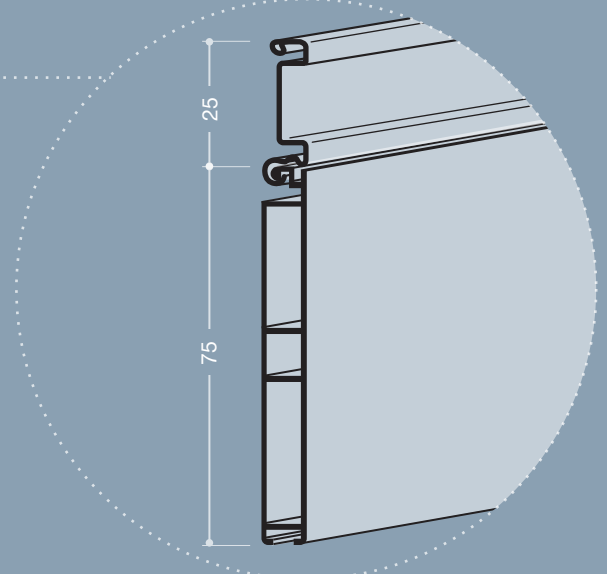
TS3 | TopSystem 9226



PROFILO TOP / TOP PROFILE
cod. FBS7518 + FBS7553 (sottotop)



PROFILO GUIDA / GUIDE PROFILE
cod. FBS7558 + FBS7555 (decoro) (pannelli da 18 - 19 mm)
cod. FBS7551 + FBS7555 (decoro) (pannelli da 16 mm)



PROFILO CON MANIGLIA / PROFILE WITH HANDLE
cod. FBS7512 + FBS2010 (handle)

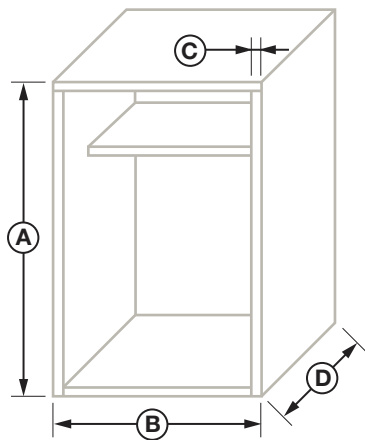
misure in mm - dimensions in mm

SPESSORE PANNELLO BOARD THICKNESS	16 / 18 / 19 mm
INGOMBRO INTERNO PISTA INTERNAL COILER DIMENSIONS	330 x 224 mm
ARRETRAMENTO RIPIANI SHELVES SETBACK	50 mm
MASSIMA SUPERFICIE H x L maximum surface H x W	2,7 m ²

TS3 MODULO D' ORDINE / ORDER SHEET



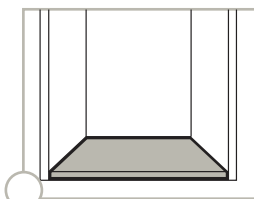
Compilare il presente modulo in tutte le sue parti per una corretta registrazione del vostro ordine.
Fill in this sheet in full for a correct processing of your order



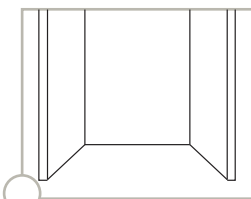
Misure mobile / Cabinet dimensions

A	B	C	D	QUANTITÀ QUANTITY

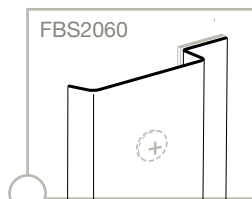
Varianti / Options



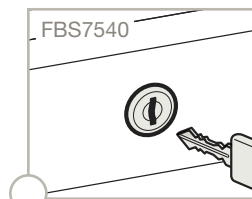
box con base
box with base



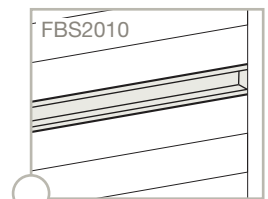
box senza base
box without base



profilo copriviti
screw cover profile



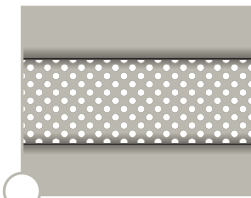
serratura
lock



maniglia intermedia
intermediate handle



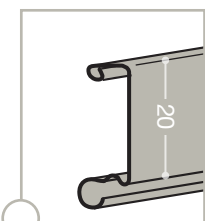
standard



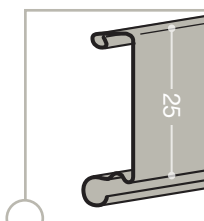
wind mix



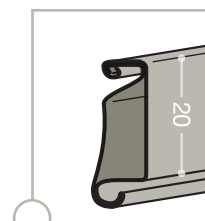
wind



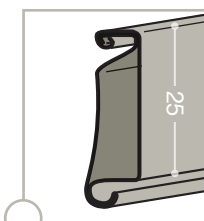
FBS2020



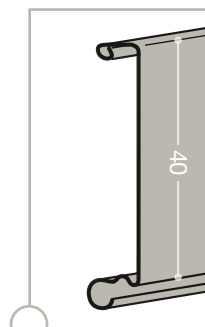
FBS2125



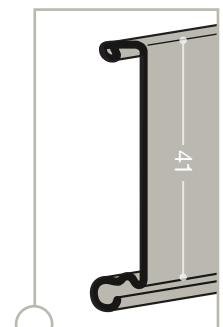
FBS2000
rinforzato reinforced



FBS2025
rinforzato reinforced



FBS2140



FBS2141
rinforzato reinforced

Finiture / Finishing

ANODIZZATI / ANODIZED

- A - brushed
 A2 - inox brushed
 B - mill finish

- B2 - mill inox
 BR2 - matt bronze
 SN - sat nat

PREVERNICIATI / PREPAINTED

- U5 - alumatt
 U6 - inox
 M3 - white

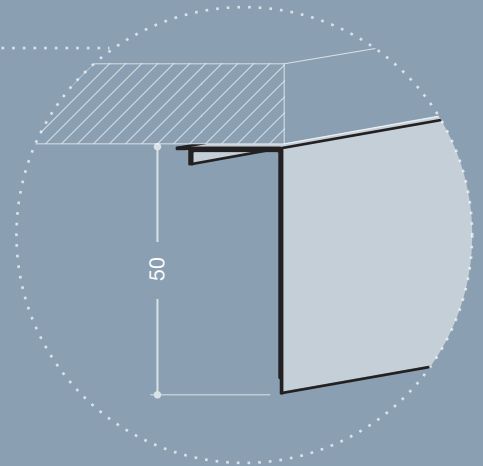
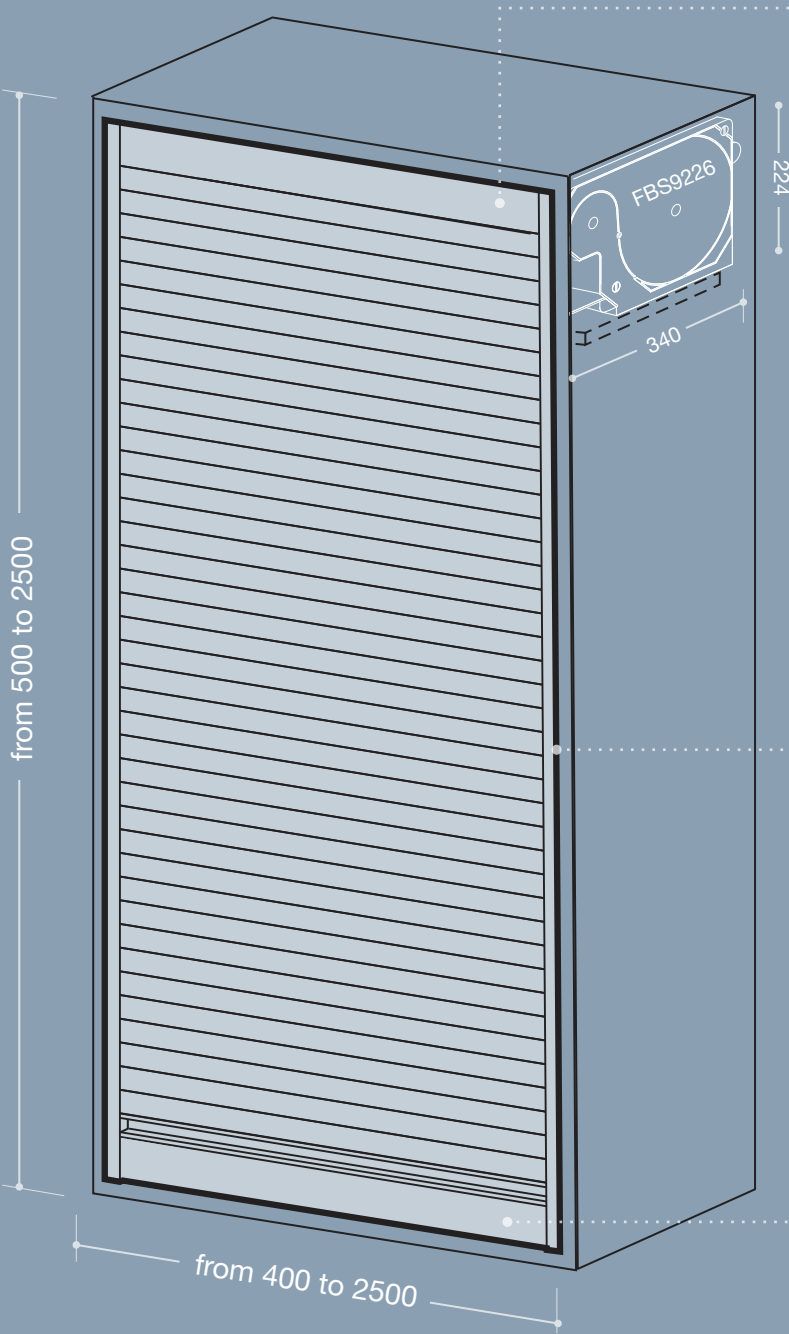
- M4 - matt white
 L2 - matt black

- MO01 - mahogany
 FR01 - ash
 NC01 - walnut

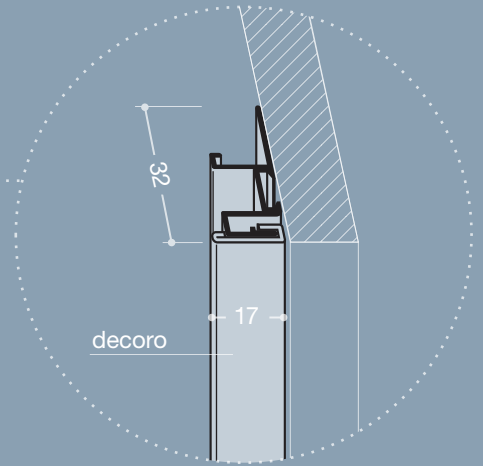
Alcune varianti di dogia non sono disponibili in tutte le finiture Some type of slat are not available in all the finishing

TOPSYSTEM

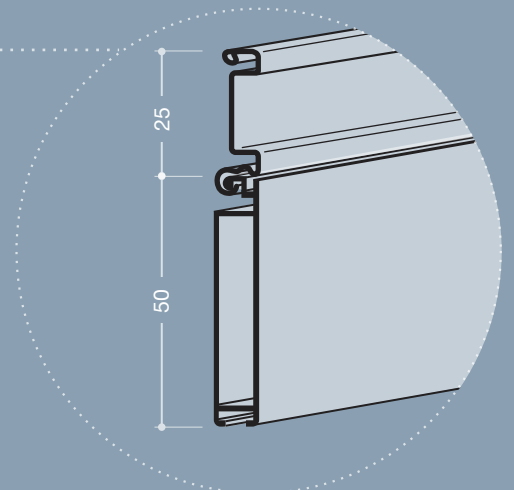
TS4 | TopSystem 9226 Minimal



PROFILO TOP / TOP PROFILE
cod. FBS7556



PROFILO GUIDA / GUIDE PROFILE
cod. FBS7554 + FBS2063 (decoro)



PROFILO CON MANIGLIA / PROFILE WITH HANDLE
cod. FBS7547 + FBS2010 (handle)

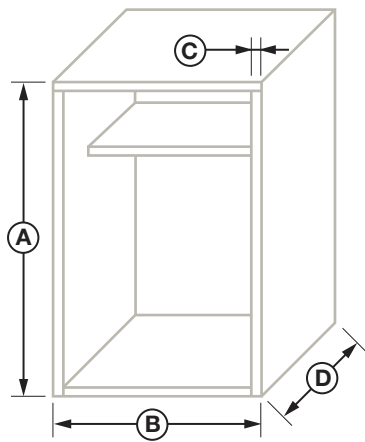
misure in mm - dimensions in mm

SPESSORE PANNELLO BOARD THICKNESS	qualsiasi / any
INGOMBRO INTERNO PISTA INTERNAL COILER DIMENSIONS	340 x 224 mm
ARRETRAMENTO RIPIANI SHELVES SETBACK	50 mm
MASSIMA SUPERFICIE H x L maximum surface H x W	2,7 m ²

TS4 MODULO D' ORDINE / ORDER SHEET



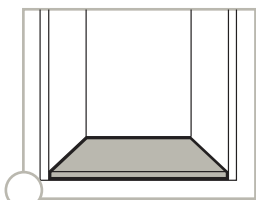
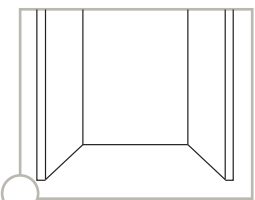
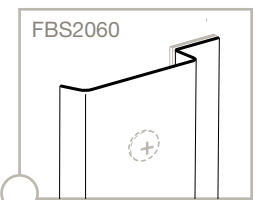
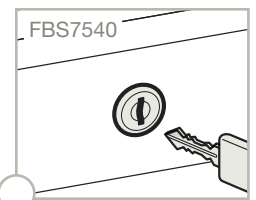
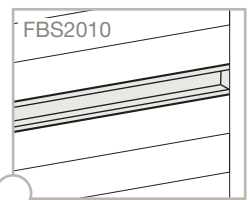

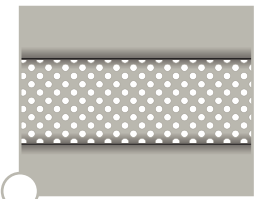

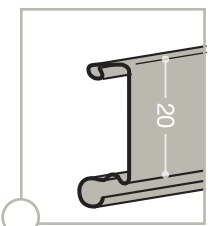
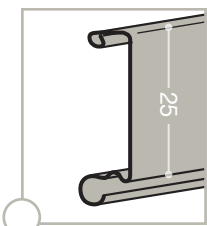
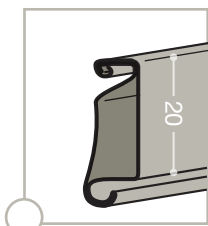
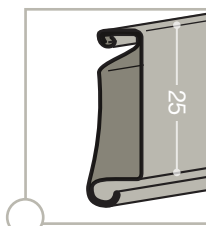
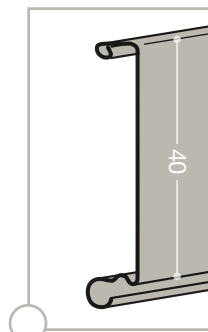
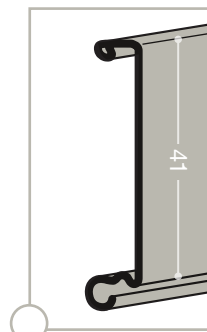
Compilare il presente modulo in tutte le sue parti per una corretta registrazione del vostro ordine.
Fill in this sheet in full for a correct processing of your order



Misure mobile / Cabinet dimensions

A	B	C	D	QUANTITÀ QUANTITY

Varianti / Options

 box con base box with basement	 box senza base box without basement	 FBS2060 profilo copriviti screw cover profile	 FBS7540 serratura lock	 FBS2010 maniglia intermedia intermediate handle
 standard	 wind mix	 wind		
 FBS2020	 FBS2125	 FBS2000 rinforzato reinforced	 FBS2025 rinforzato reinforced	 FBS2140
				 FBS2141 rinforzato reinforced

Finiture / Finishing

ANODIZZATI / ANODIZED

- | | |
|---|---|
| <input type="radio"/> A - brushed | <input type="radio"/> B2 - mill inox |
| <input type="radio"/> A2 - inox brushed | <input type="radio"/> BR2 - matt bronze |
| <input type="radio"/> B - mill finish | <input type="radio"/> SN - sat nat |

PREVERNICIATI / PREPAINTED

- | | | |
|------------------------------------|---------------------------------------|---------------------------------------|
| <input type="radio"/> U5 - alumatt | <input type="radio"/> M4 - matt white | <input type="radio"/> MO01 - mahogany |
| <input type="radio"/> U6 - inox | <input type="radio"/> L2 - matt black | <input type="radio"/> FR01 - ash |
| <input type="radio"/> M3 - white | | <input type="radio"/> NC01 - walnut |

Alcune varianti di dogia non sono disponibili in tutte le finiture Some type of slat are not available in all the finishing



JollySystem



materiali riciclabili
recyclable materials



qualità
quality



resistenza
endurance



leggerezza
lightness



installazione rapida
fast installation

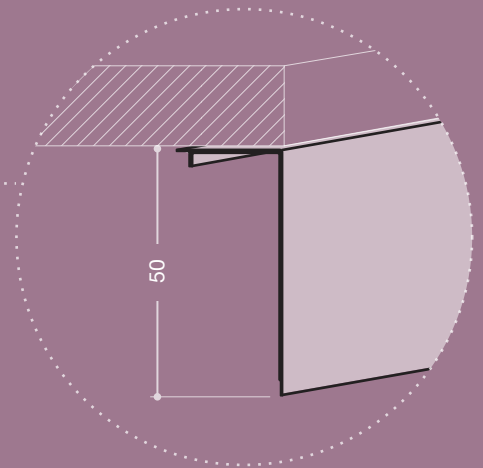
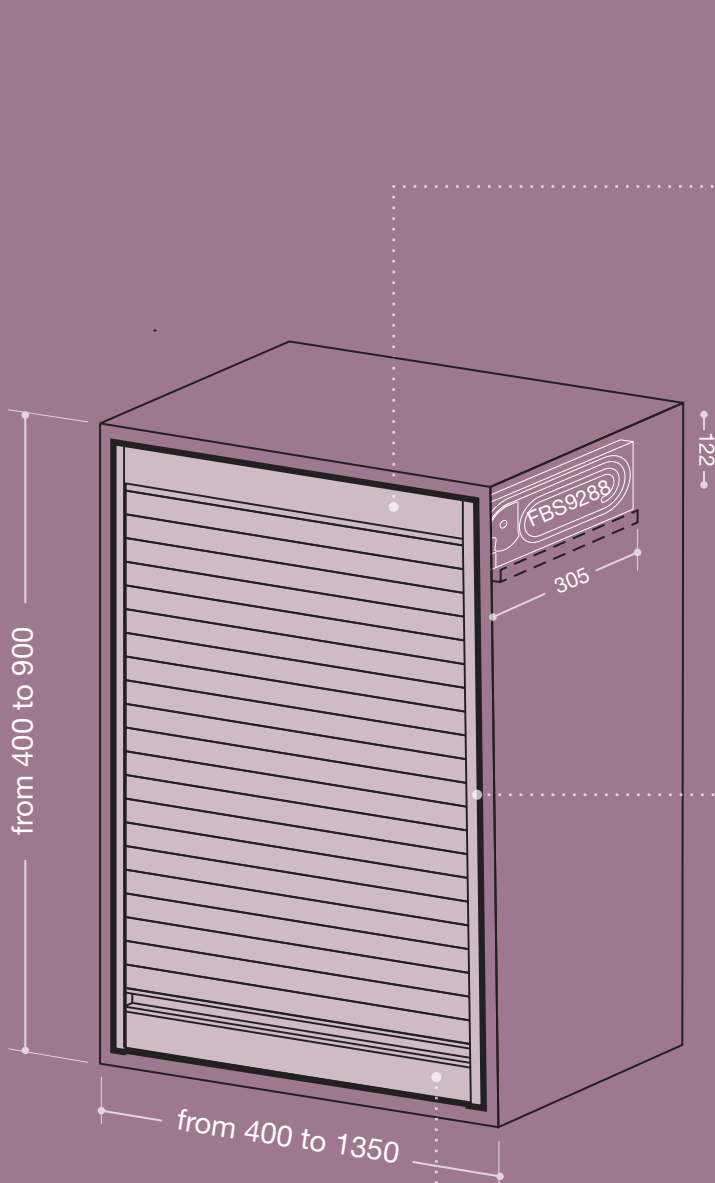


radiocomando
remote control

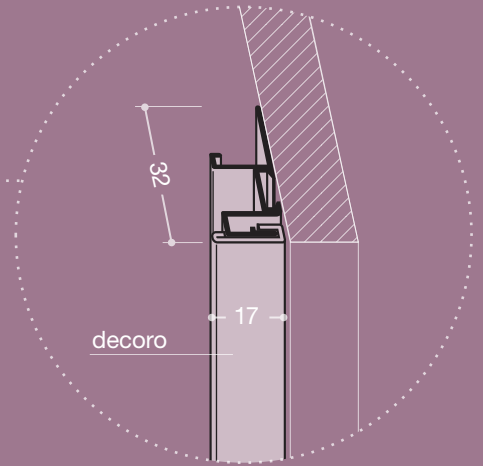
.....

*Sistema di serrandine 100% alluminio o vetro temperato fornito in kit pre-assemblato particolarmente indicato per pensili. Disponibile nelle versioni manuale o motorizzata.
100% aluminium or tempered glass tambour door system supplied in pre-assembled kit, suitable for hanging cabinets. Available in both manual or motorized options.*

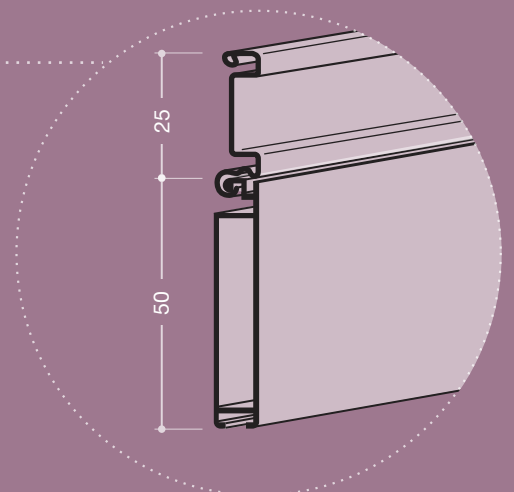
JS1 | JollySystem Alu Minimal



PROFILO TOP / TOP PROFILE
cod. FBS7556



PROFILO GUIDA / GUIDE PROFILE
cod. FBS7554 + FBS2063 (decoro)

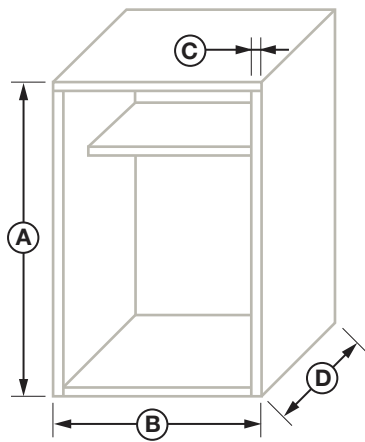


PROFILO CON MANIGLIA / PROFILE WITH HANDLE
cod. FBS7547 + FBS2010 (handle)

misure in mm - dimensions in mm

SPESSORE PANNELLO BOARD THICKNESS	qualsiasi / any
INGOMBRO INTERNO PISTA INTERNAL COILER DIMENSIONS	305 x 122 mm
ARRETRAMENTO RIPIANI SHELVES SETBACK	50 mm

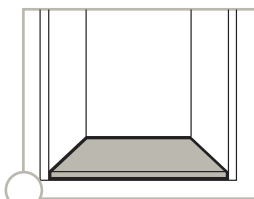
Compilare il presente modulo in tutte le sue parti per una corretta registrazione del vostro ordine.
Fill in this sheet in full for a correct processing of your order



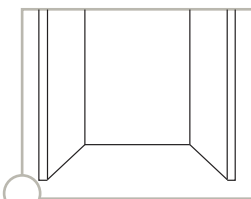
Misure mobile / Cabinet dimensions

A	B	C	D	QUANTITÀ QUANTITY

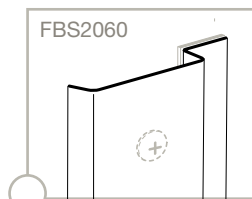
Varianti / Options



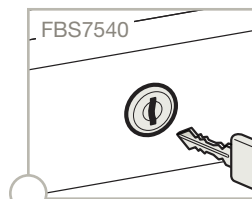
box con base
box with basement



box senza base
box without basement



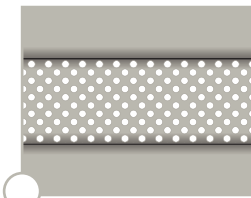
profilo copriviti
screw cover profile



serratura
lock



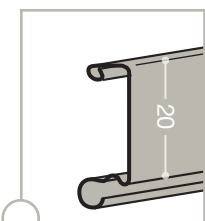
standard



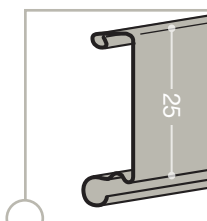
wind mix



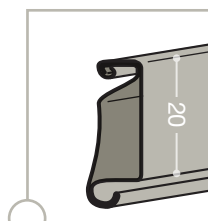
wind



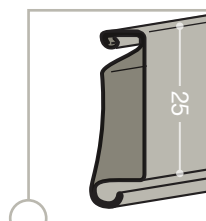
FBS2020



FBS2125



FBS2000
rinforzato reinforced



FBS2025
rinforzato reinforced

Finitura / Finishing

ANODIZZATI / ANODIZED

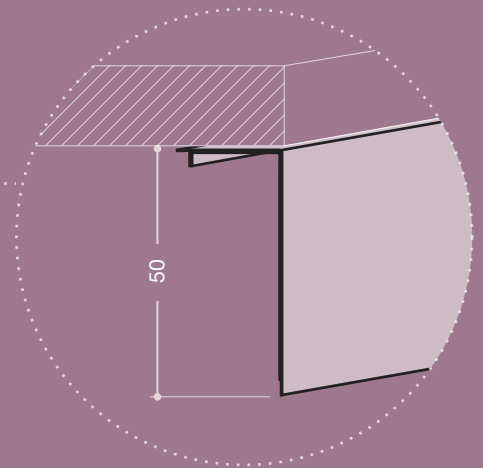
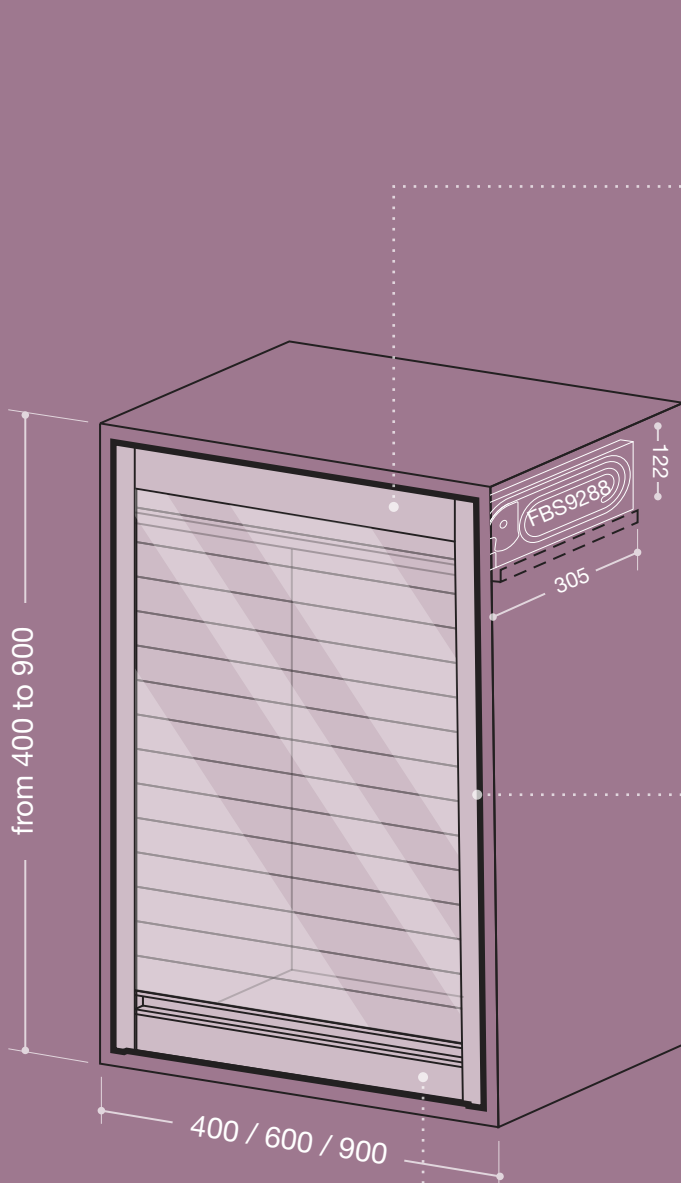
- A - brushed
- A2 - inox brushed
- B - mill finish
- B2 - mill inox
- BR2 - matt bronze
- SN - sat nat

PREVERNICIATI / PREPAINTED

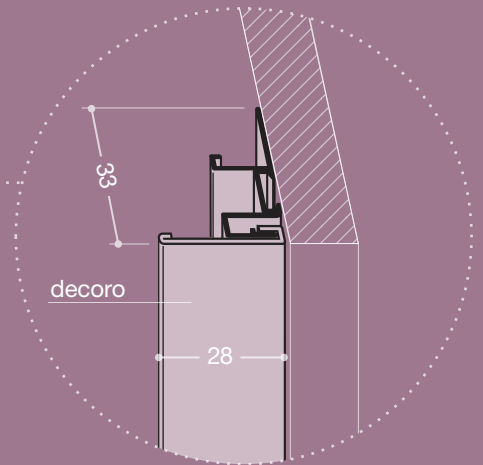
- U5 - alumatt
- U6 - inox
- M3 - white
- M4 - matt white
- L2 - matt black
- MO01 - mahogany
- FR01 - ash
- NC01 - walnut

Alcune varianti di dogia non sono disponibili in tutte le finiture Some type of slat are not available in all the finishing

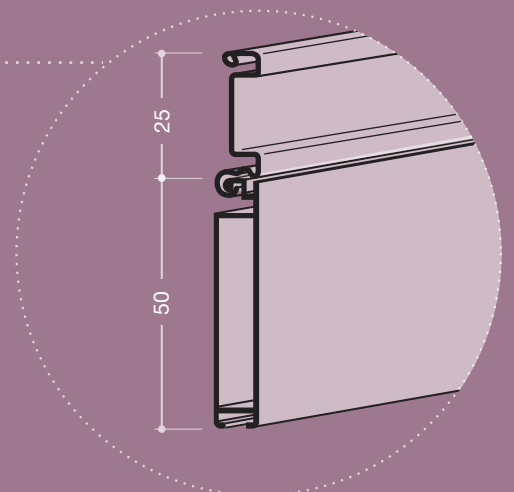
JS2 | JollySystem Glass Minimal



PROFILO TOP / TOP PROFILE
cod. FBS7556



PROFILO GUIDA / GUIDE PROFILE
cod. FBS7554 - decoro cod. FBS2062

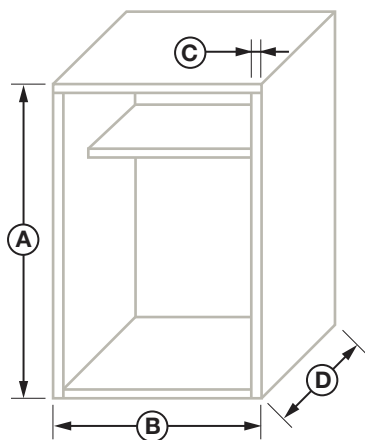


PROFILO CON MANIGLIA / PROFILE WITH HANDLE
cod. FBS7547 + FBS2010 (handle)

misure in mm - dimensions in mm

SPESSORE PANNELLO BOARD THICKNESS	16 / 18 / 19 mm
INGOMBRO INTERNO PISTA INTERNAL COILER DIMENSIONS	305 x 122 mm
ARRETRAMENTO RIPIANI SHELVES SETBACK	50 mm
LARGHEZZE DISPONIBILI AVAILABLE LENGHTS	450 - 600 - 900 mm
<i>misure fuori standard su richiesta non-standard dimensions upon request</i>	

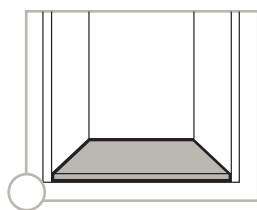
Compilare il presente modulo in tutte le sue parti per una corretta registrazione del vostro ordine.
Fill in this sheet in full for a correct processing of your order



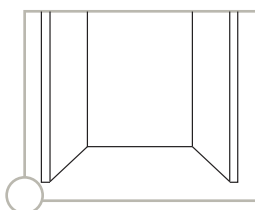
Misure mobile / Cabinet dimensions

A	B	C	D	QUANTITÀ QUANTITY

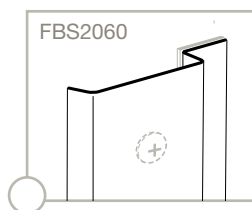
Varianti / Options



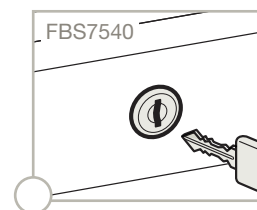
box con base
box with basement



box senza base
box without basement

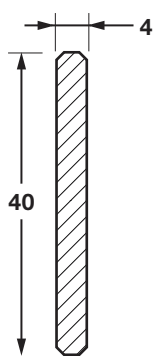


profilo copriviti
screw cover profile



serratura
lock

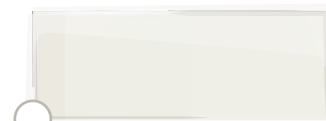
Finitura doghe / Slats finishing



V00 - clear



V01 - Acid etched



V02 - white



V03 - black



V04 - Cappuccino

Finitura decori / Decorative profiles finishing

ANODIZZATI / ANODIZED

- A - brushed
- A2 - inox brushed

SN - sat nat

PREVERNICIATI / PREPAINTED

- M3 - white
- L1 - polish black



GlassMilano MotorGlass



materiali riciclabili
recyclable materials



qualità
quality



vetro temperato
tempered glass



leggerezza
lightness



installazione rapida
fast installation

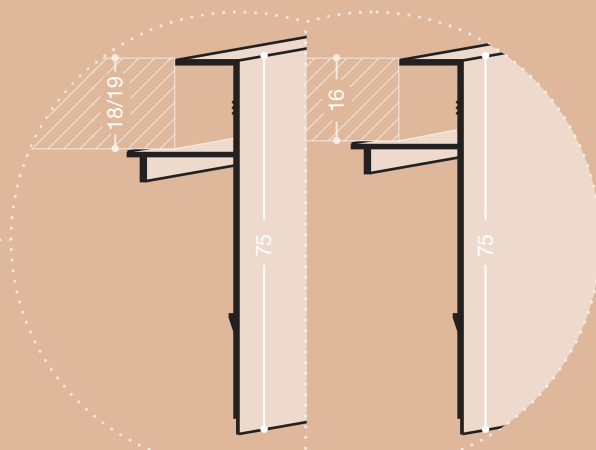
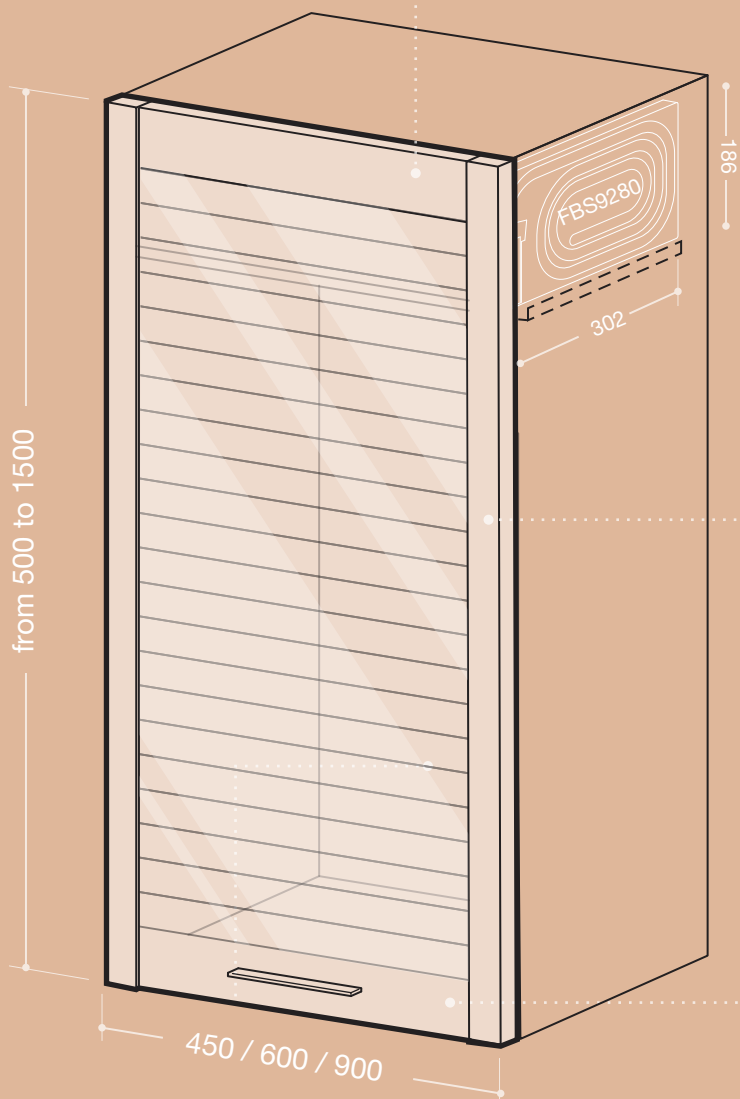


radiocomando
remote control

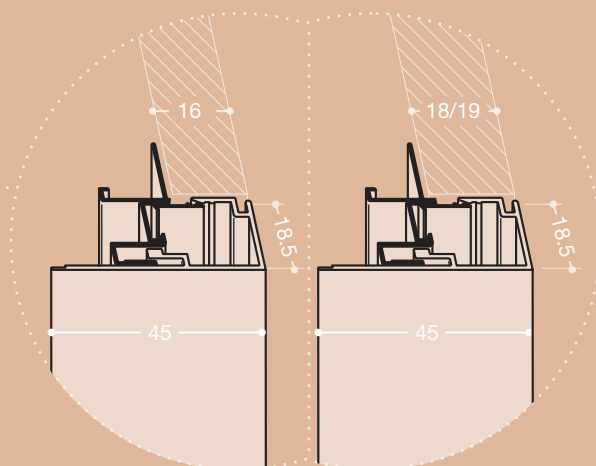
*Sistema di serrandine in vetro temperato fornito in kit pre-assemblato con compensatore di peso pre-caricato.
Tempered glass tambour door system supplied in pre-assembled kit with pre-charged weight compensator.*

GLASSMILANO

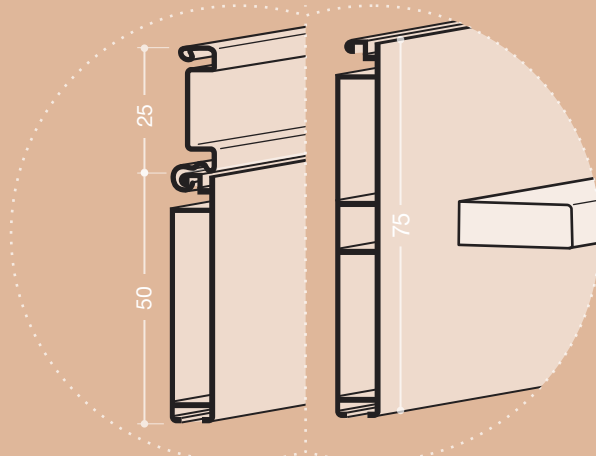
GMI | GlassMilano



PROFILO TOP / TOP PROFILE
 cod. FBS7518 (pannelli da 18 - 19 mm)
 cod. FBS7515 (pannelli da 16 mm)



PROFILO GUIDA / GUIDE PROFILE
 cod. FBS7558 + FBS7555 (decoro) (pannelli da 18 - 19 mm)
 cod. FBS7551 + FBS7555 (decoro) (pannelli da 16 mm)

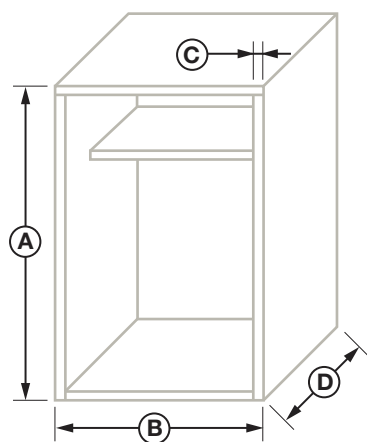


PROFILO CON MANIGLIA / PROFILE WITH HANDLE
 cod. FBS7547 + FBS2010 (handle)
 cod. FBS7512 + fbs7591 (handle)

misure in mm - dimensions in mm

SPESSORE PANNELLO BOARD THICKNESS	16 / 18 / 19 mm
INGOMBRO INTERNO PISTA INTERNAL COILER DIMENSIONS	302 x 186 mm
ARRETRAMENTO RIPIANI SHELVES SETBACK	50 mm
LARGHEZZE DISPONIBILI AVAILABLE WIDTHS	450 - 600 - 900 mm
<i>misure fuori standard su richiesta non-standard dimensions upon request</i>	

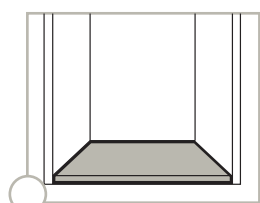
Compilare il presente modulo in tutte le sue parti per una corretta registrazione del vostro ordine.
Fill in this sheet in full for a correct processing of your order



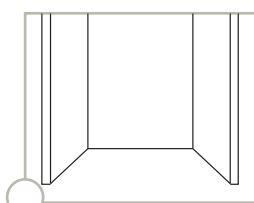
Misure mobile / Cabinet dimensions

A	B	C	D	QUANTITÀ QUANTITY

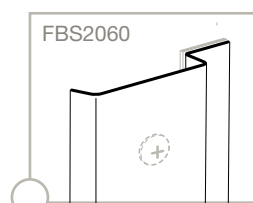
Varianti / Options



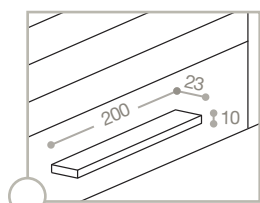
box con base
box with basement



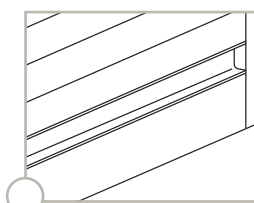
box senza base
box without basement



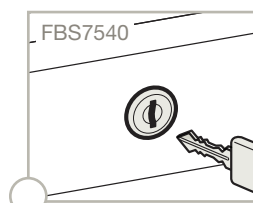
profilo copriviti
screw cover profile



maniglia / handle
FBS7591

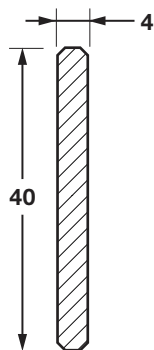


maniglia / handle
FBS2010



serratura / lock
solo con /only with
FBS 7547 + FBS2010

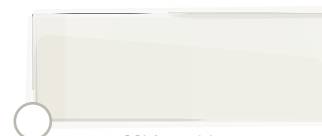
Finitura doghe / Slats finishing



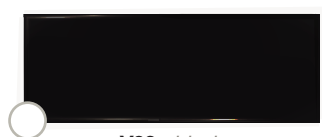
V00 - clear



V01 - Acid etched



V02 - white



V03 - black



V04 - Cappuccino

Finitura decori / Decorative profiles finishing

ANODIZZATI / ANODIZED



A - brushed



SN - sat nat



A2 - inox brushed

PREVERNICIATI / PREPAINTED



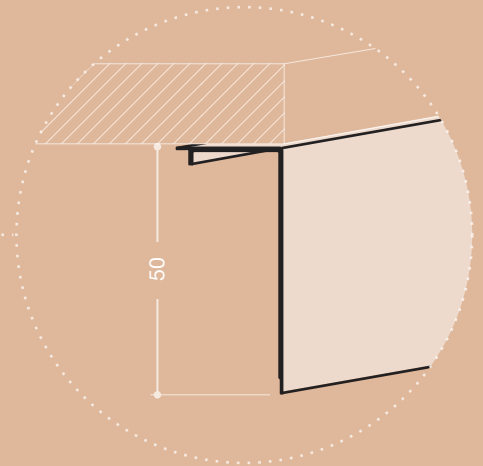
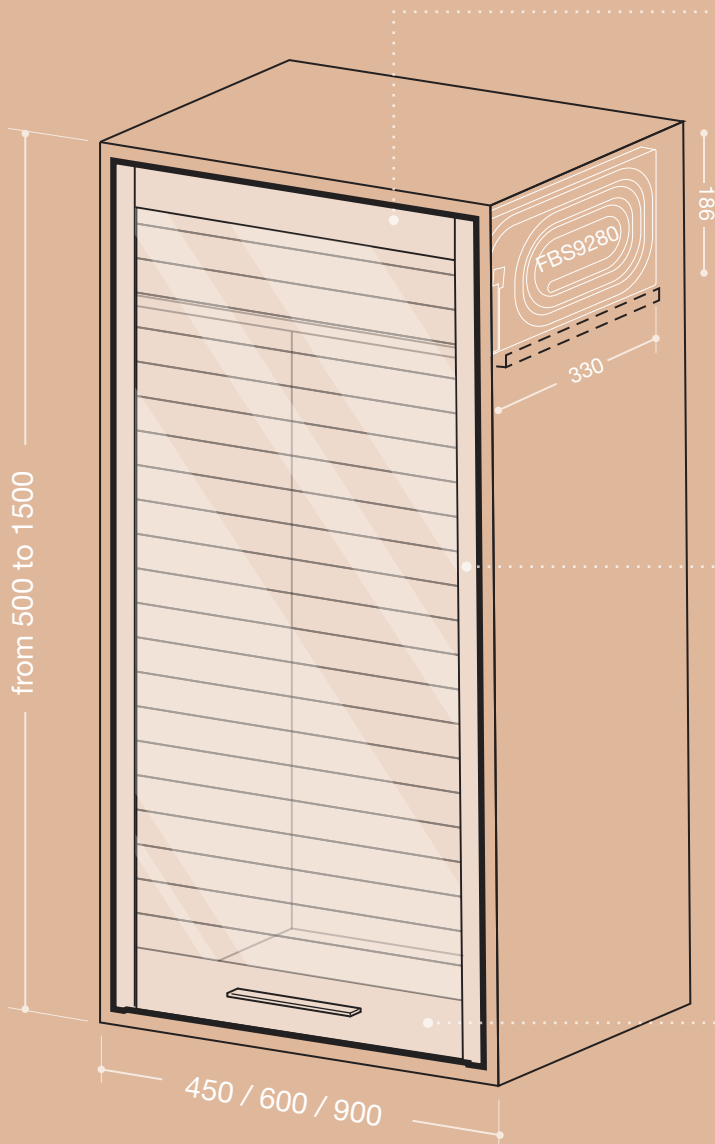
M3 - white



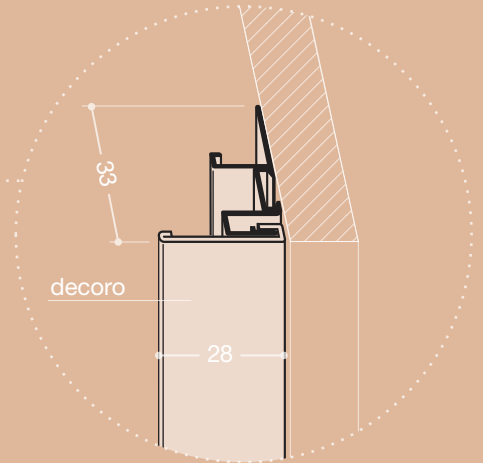
L1 - polish black

GLASSMILANO

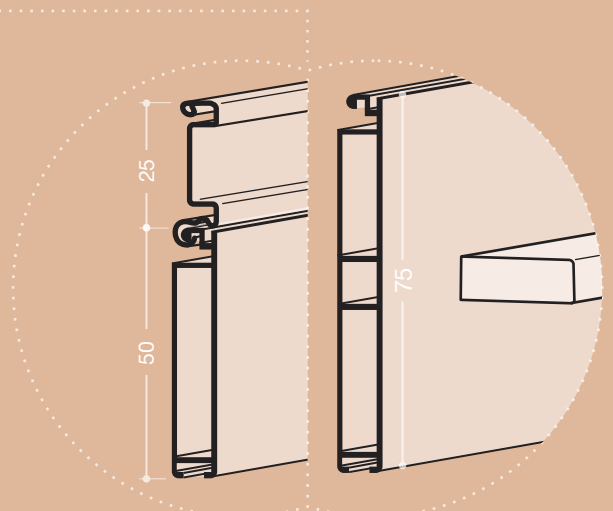
GM2 | GlassMilano Minimal



PROFILO TOP / TOP PROFILE
cod. FBS7556



PROFILO GUIDA / GUIDE PROFILE
cod. FBS7554 - decoro cod. FBS2062



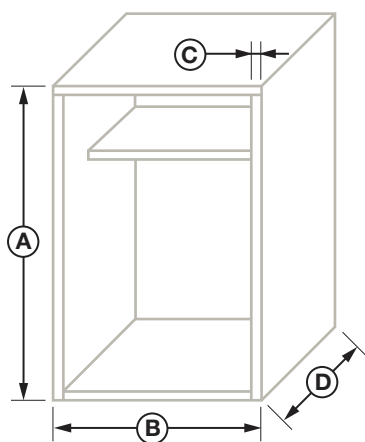
PROFILO CON MANIGLIA / PROFILE WITH HANDLE
cod. FBS7547 + FBS2010 (handle)
cod. FBS7512 + fbs7591 (handle)

misure in mm - dimensions in mm

SPESSORE PANNELLO BOARD THICKNESS	16 / 18 / 19 mm
INGOMBRO INTERNO PISTA INTERNAL COILER DIMENSIONS	330 x 186 mm
ARRETRAMENTO RIPIANI SHELVES SETBACK	50 mm
LARGHEZZE DISPONIBILI AVAILABLE WIDTHS	450 - 600 - 900 mm

*misure fuori standard su richiesta
non-standard dimensions upon request*

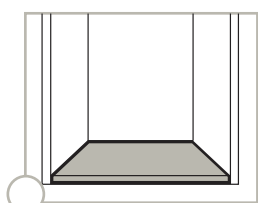
Compilare il presente modulo in tutte le sue parti per una corretta registrazione del vostro ordine.
Fill in this sheet in full for a correct processing of your order



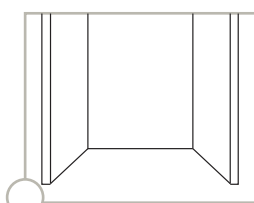
Misure mobile / Cabinet dimensions

A	B	C	D	QUANTITÀ QUANTITY

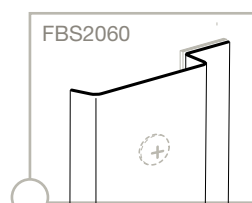
Varianti / Options



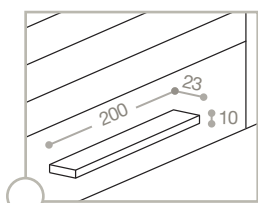
box con base
box with basement



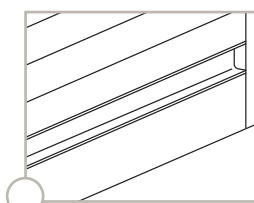
box senza base
box without basement



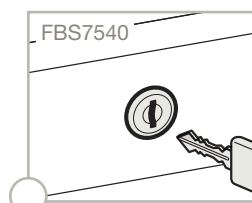
profilo copriviti
screw cover profile



maniglia / handle
FBS7591

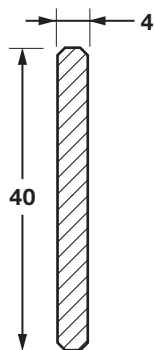


maniglia / handle
FBS2010



serratura / lock
solo con /only with
FBS 7547 + FBS2010

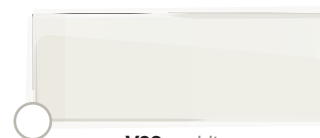
Finitura doghe / Slats finishing



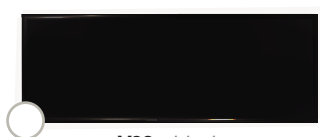
V00 - clear



V01 - Acid etched



V02 - white



V03 - black



V04 - Cappuccino

Finitura decori / Decorative profiles finishing

ANODIZZATI / ANODIZED



A - brushed



SN - sat nat



A2 - inox brushed

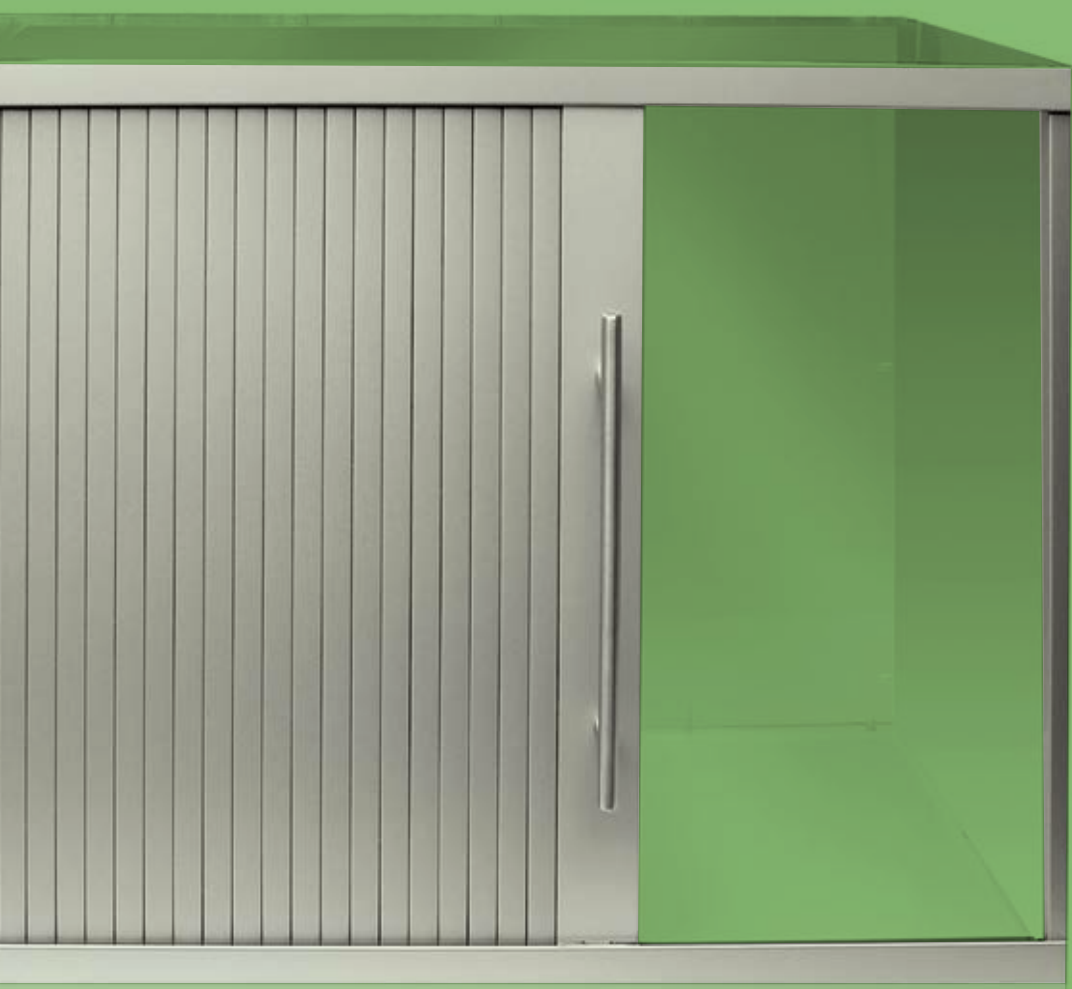
PREVERNICIATI / PREPAINTED



M3 - white



L1 - polish black



Horizontal



materiali riciclabili
recyclable materials



qualità
quality



resistenza
endurance



leggerezza
lightness



installazione rapida
fast installation

.....

*Sistema di serrandine a scorrimento orizzontale 100% alluminio o vetro temperato, fornito in kit pre-assemblato.
Disponibile in un ampio range di misure e accessori.
100% aluminium or tempered glass tambour door system with horizontal sliding supplied in pre-assembled kit.
Available in a wide range of dimensions and accessories.*

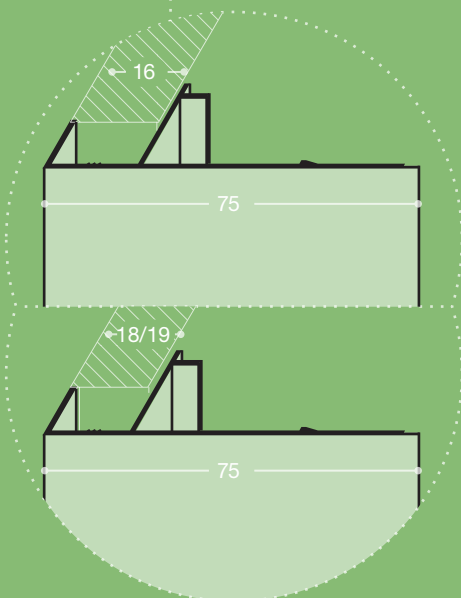
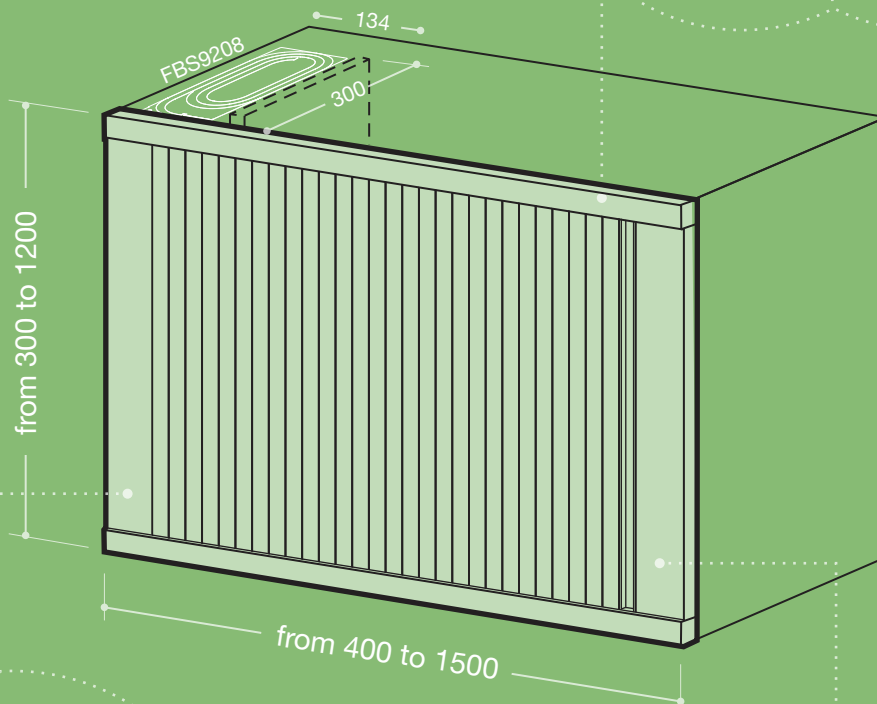
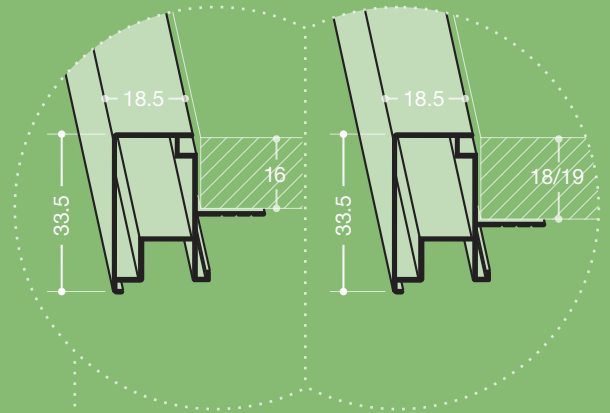
HORIZONTAL

HR1 | BoxMilano Horizontal

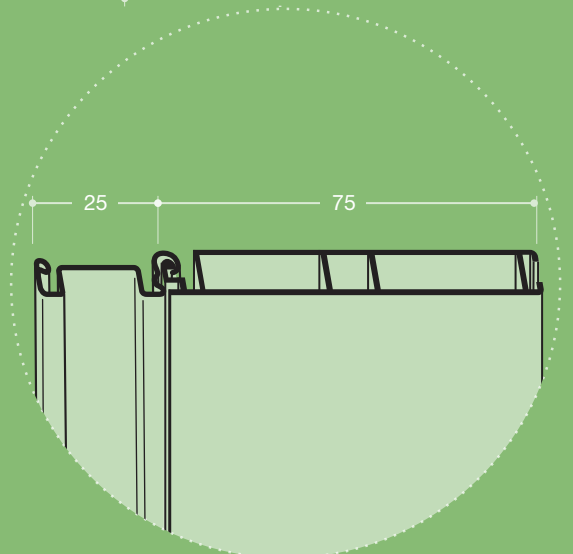
SPESSORE PANNELLO BOARD THICKNESS	16 / 18 / 19 mm
INGOMBRO INTERNO PISTA INTERNAL COILER DIMENSIONS	300 x 134 mm
ARRETRAMENTO RIPIANI SHELVES SETBACK	50 mm

misure in mm - dimensions in mm

PROFILO GUIDA / GUIDE PROFILE
cod. FBS7519 (pannelli da 18 - 19 mm)
cod. FBS7516 (pannelli da 16 mm)



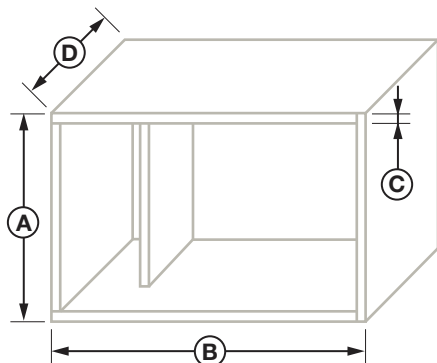
PROFILO TOP / TOP PROFILE
cod. FBS7518 (pannelli da 18 - 19 mm)
cod. FBS7515 (pannelli da 16 mm)



PROFILO CON MANIGLIA / PROFILE WITH HANDLE
cod. FBS7512 + FBS2010 (handle)

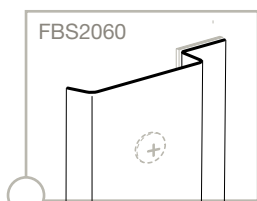
Compilare il presente modulo in tutte le sue parti per una corretta registrazione del vostro ordine.
Fill in this sheet in full for a correct processing of your order

Misure mobile / Cabinet dimensions

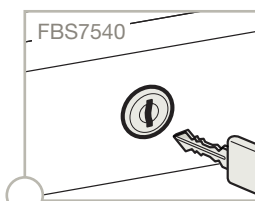


A	B	C	D	QUANTITÀ QUANTITY

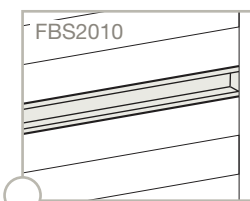
Varianti / Options



profilo copriviti
screw cover profile



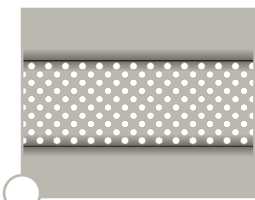
serratura
lock



maniglia intermedia
intermediate handle



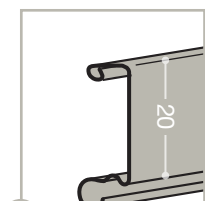
standard



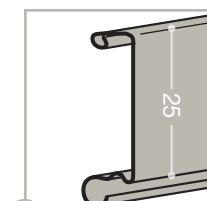
wind mix



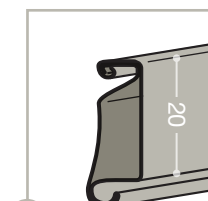
wind



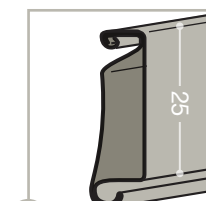
FBS2020



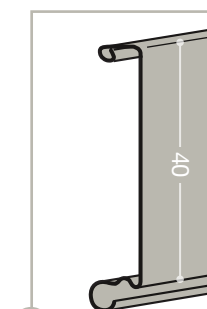
FBS2125



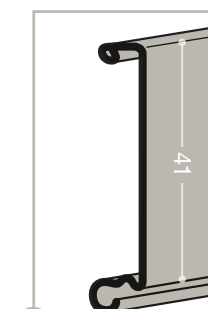
FBS2000
rinforzato reinforced



FBS2025
rinforzato reinforced



FBS2140



FBS2141
rinforzato reinforced

Finitura / Finishing

ANODIZZATI / ANODIZED

- A - brushed
- A2 - inox brushed
- B - mill finish

- B2 - mill inox
- BR2 - matt bronze
- SN - sat nat

PREVERNICIATI / PREPAINTED

- U5 - alumatt
- U6 - inox
- M3 - white

- M4 - matt white
- L2 - matt black

- MO01 - mahogany
- FR01 - ash
- NC01 - walnut

Alcune varianti di dogia non sono disponibili in tutte le finiture Some type of slat are not available in all the finishing

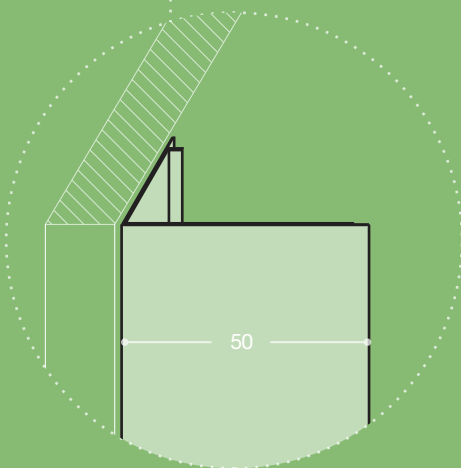
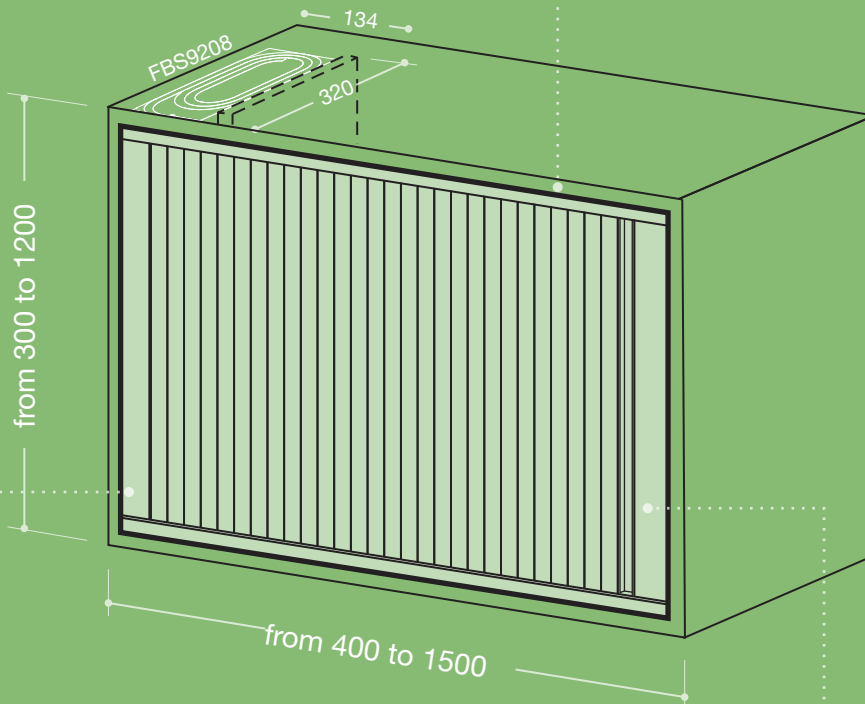
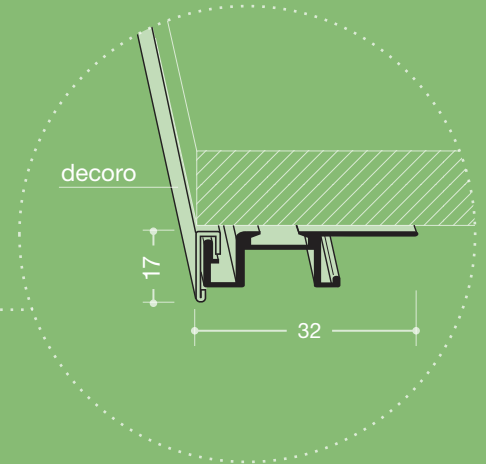
HORIZONTAL

HR2 | BoxMilano Horizontal Minimal

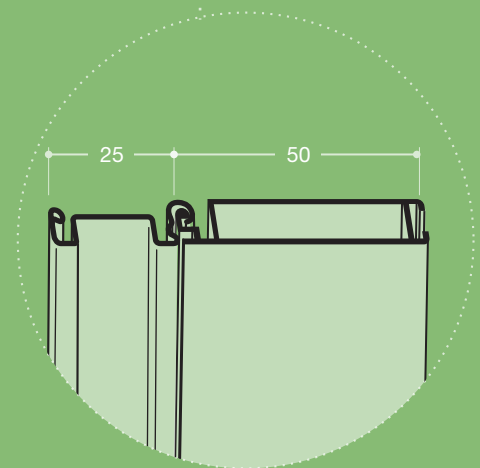
SPESSORE PANNELLO BOARD THICKNESS	qualsiasi / any
INGOMBRO INTERNO PISTA INTERNAL COILER DIMENSIONS	320 x 134 mm
ARRETRAMENTO RIPIANI SHELVES SETBACK	50 mm

misure in mm - dimensions in mm

PROFILO GUIDA / GUIDE PROFILE
cod. 7554 - decoro cod. 2063



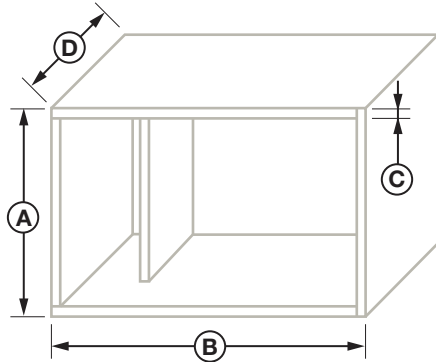
PROFILO TOP / TOP PROFILE
cod. FBS7556



PROFILO CON MANIGLIA / PROFILE WITH HANDLE
cod. FBS7547 + FBS2010 (handle)

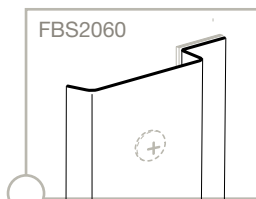
Compilare il presente modulo in tutte le sue parti per una corretta registrazione del vostro ordine.
Fill in this sheet in full for a correct processing of your order

Misure mobile / Cabinet dimensions

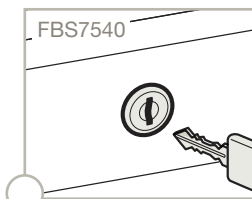


A	B	C	D	QUANTITÀ QUANTITY

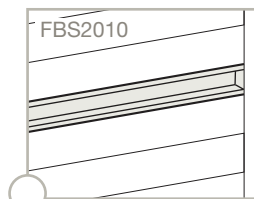
Varianti / Options



profilo copriviti
screw cover profile



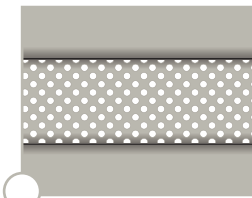
serratura
lock



maniglia intermedia
intermediate handle



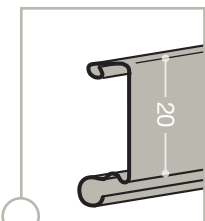
standard



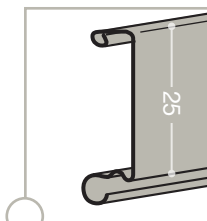
wind mix



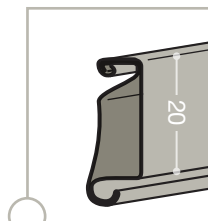
wind



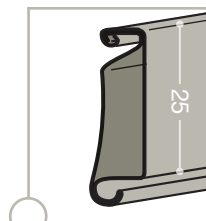
FBS2020



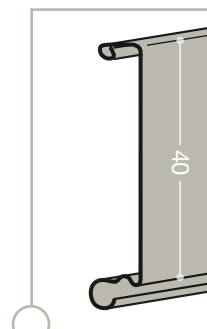
FBS2125



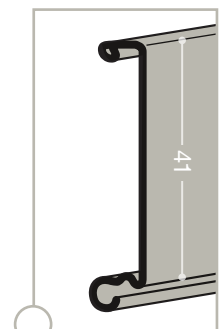
FBS2000
rinforzato reinforced



FBS2025
rinforzato reinforced



FBS2140



FBS2141
rinforzato reinforced

Finitura / Finishing

ANODIZZATI / ANODIZED

- A - brushed
- A2 - inox brushed
- B - mill finish
- B2 - mill inox
- BR2 - matt bronze
- SN - sat nat

PREVERNICIATI / PREPAINTED

- U5 - alumatt
- U6 - inox
- M3 - white
- M4 - matt white
- L2 - matt black
- MO01 - mahogany
- FR01 - ash
- NC01 - walnut

Alcune varianti di dogia non sono disponibili in tutte le finiture Some type of slat are not available in all the finishing

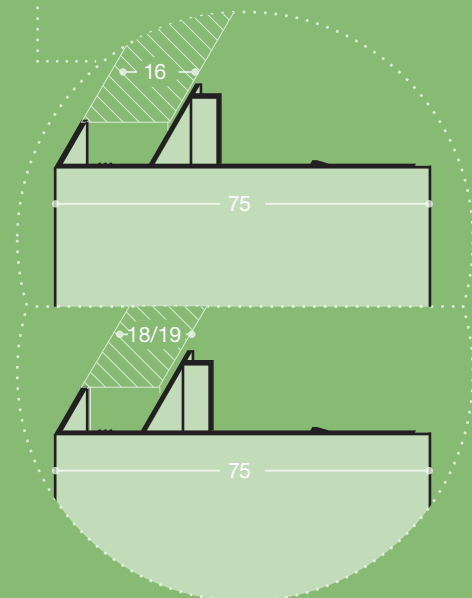
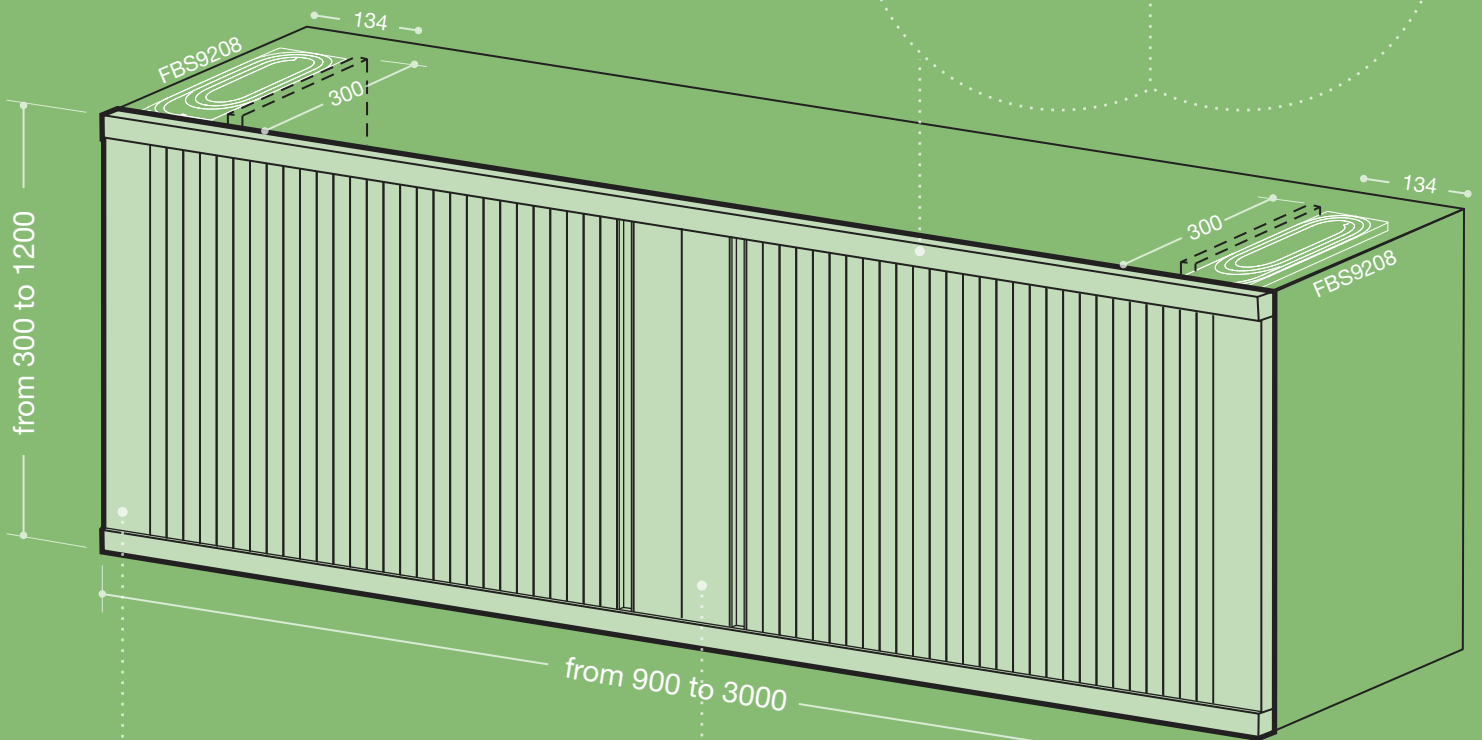
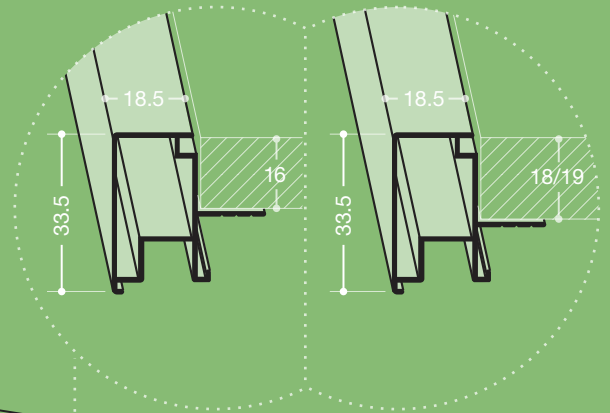
HORIZONTAL

HR3 | BoxMilano Horizontal Twins

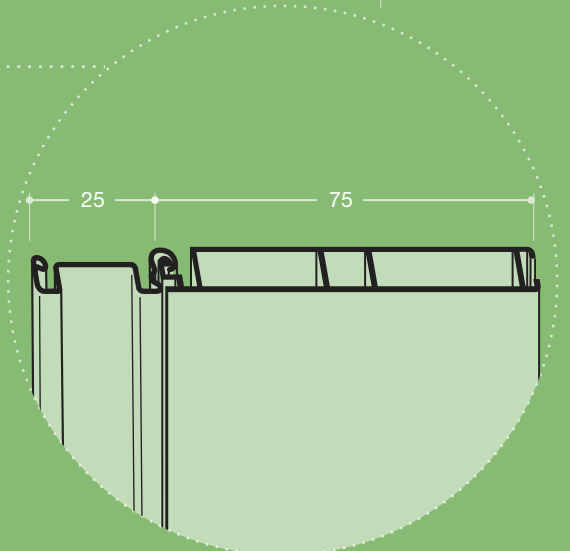
SPESSORE PANNELLO BOARD THICKNESS	16 / 18 / 19 mm
INGOMBRO INTERNO PISTA INTERNAL COILER DIMENSIONS	300 x 134 mm
ARRETRAMENTO RIPIANI SHELVES SETBACK	50 mm

misure in mm - dimensions in mm

PROFILO GUIDA / GUIDE PROFILE
cod. FBS7519 (pannelli da 18 - 19 mm)
cod. FBS7516 (pannelli da 16 mm)



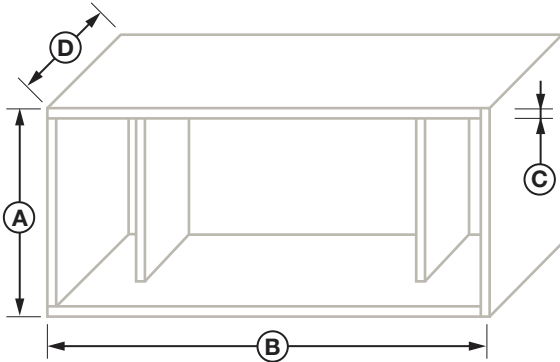
PROFILO TOP / TOP PROFILE
cod. FBS7518 (pannelli da 18 - 19 mm)
cod. FBS7515 (pannelli da 16 mm)



PROFILO CON MANIGLIA / PROFILE WITH HANDLE
cod. FBS7512 + FBS2010 (handle)

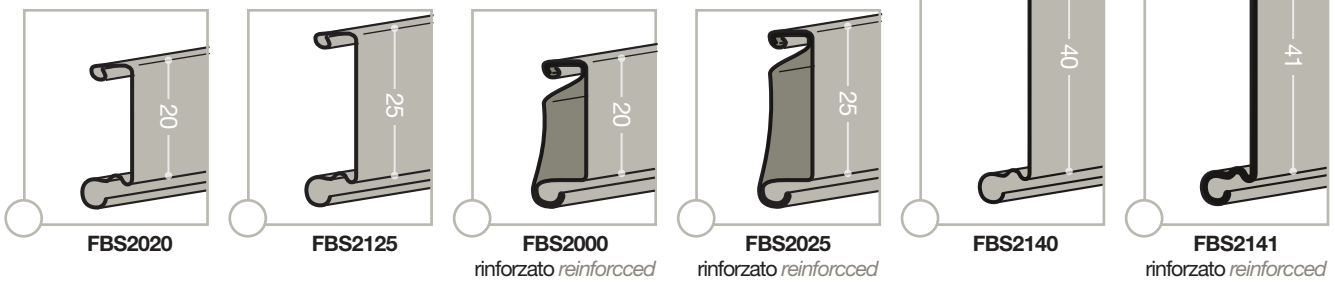
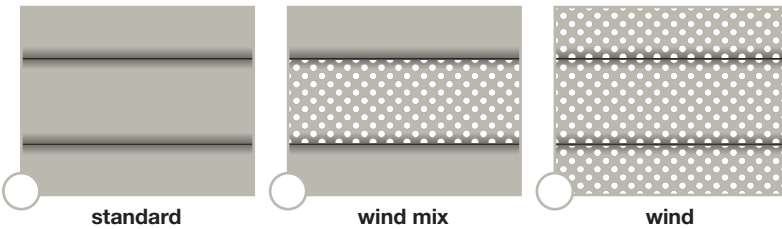
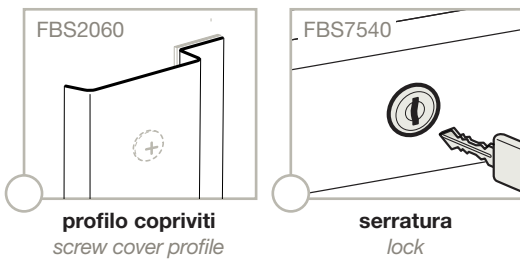
Compilare il presente modulo in tutte le sue parti per una corretta registrazione del vostro ordine.
Fill in this sheet in full for a correct processing of your order

Misure mobile / Cabinet dimensions



A	B	C	D	QUANTITÀ QUANTITY

Varianti / Options



Finitura / Finishing

ANODIZZATI / ANODIZED

- A - brushed
- A2 - inox brushed
- B - mill finish
- B2 - mill inox
- BR2 - matt bronze
- SN - sat nat

PREVERNICIATI / PREPAINTED

- U5 - alumatt
- U6 - inox
- M3 - white
- M4 - matt white
- L2 - matt black
- MO01 - mahogany
- FR01 - ash
- NC01 - walnut

Alcune varianti di dogia non sono disponibili in tutte le finiture Some type of slat are not available in all the finishing

HORIZONTAL

HR4 | BoxMilano Horizontal Twins Minimal

SPESSORE PANNELLO
BOARD THICKNESS

qualsiasi / any

INGOMBRO INTERNO PISTA
INTERNAL COILER DIMENSIONS

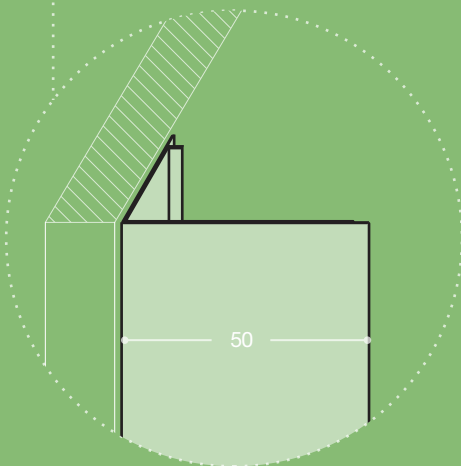
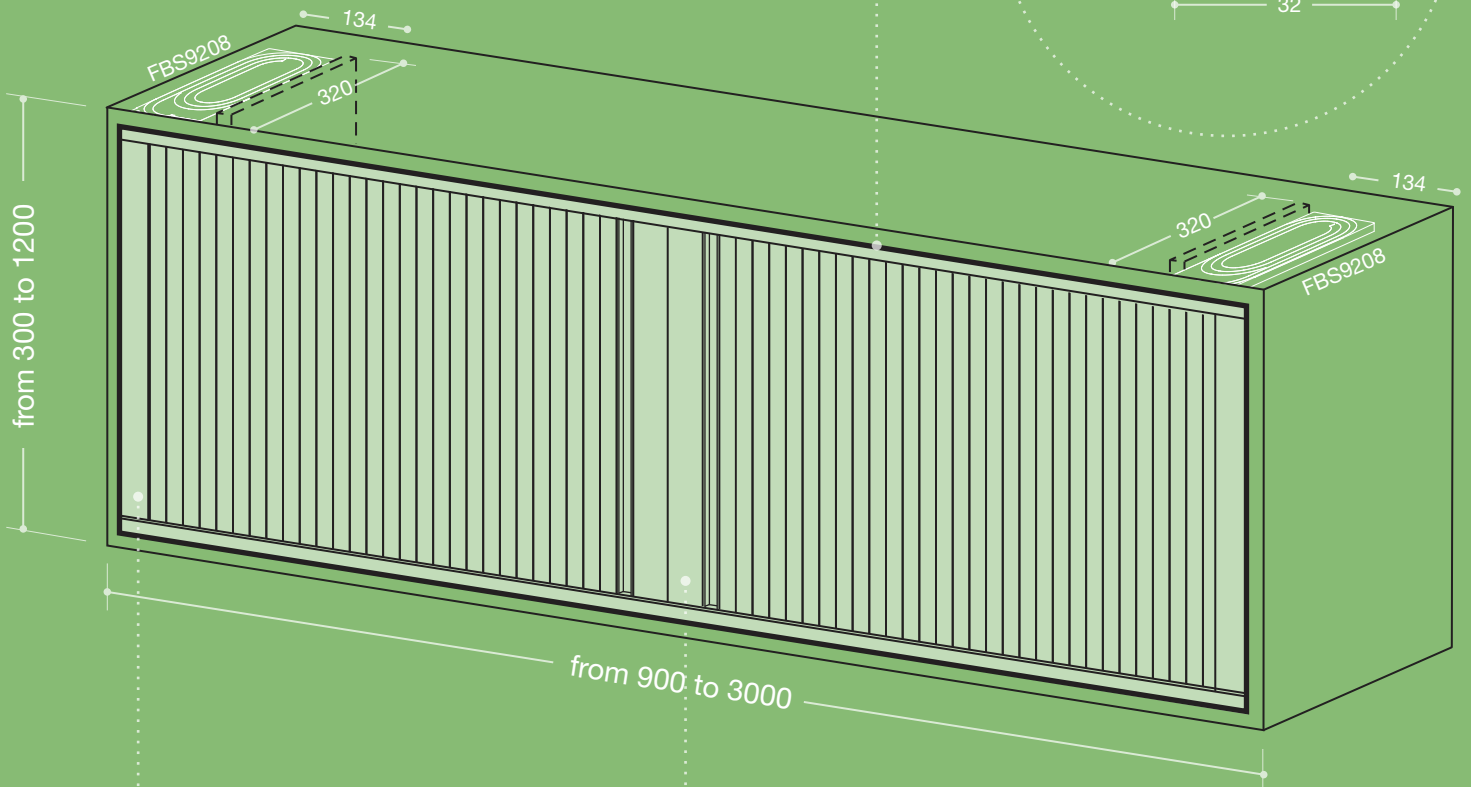
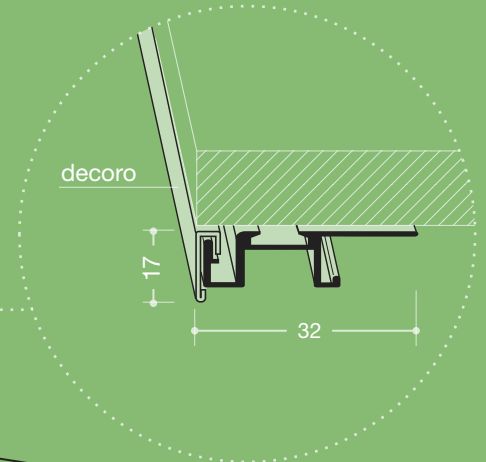
320 x 134 mm

ARRETRAMENTO RIPIANI
SHELVES SETBACK

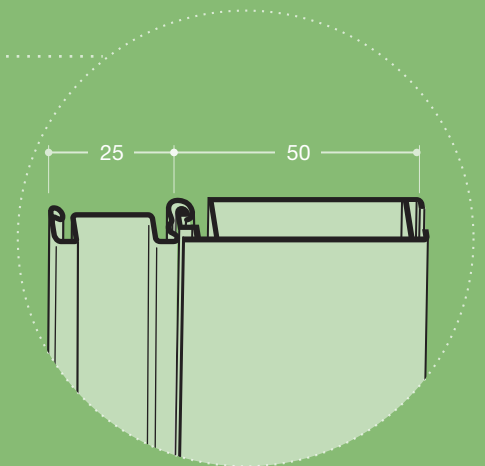
50 mm

misure in mm - dimensions in mm

PROFILO GUIDA / GUIDE PROFILE
cod. 7554 - decoro cod. 2063



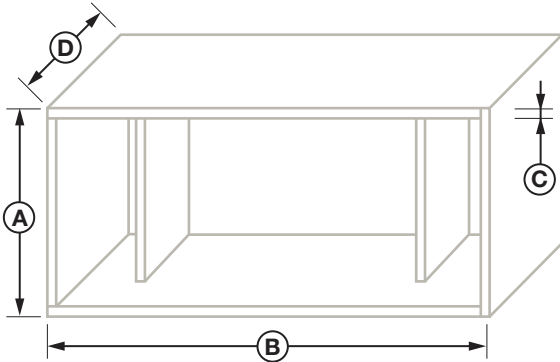
PROFILO TOP / TOP PROFILE
cod. FBS7556



PROFILO CON MANIGLIA / PROFILE WITH HANDLE
cod. FBS7547 + FBS2010 (handle)

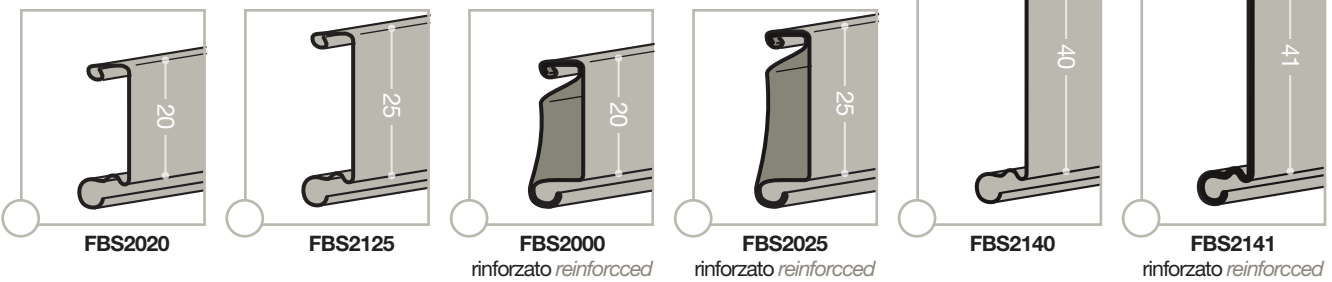
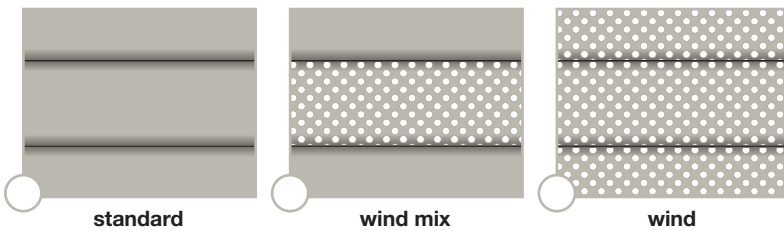
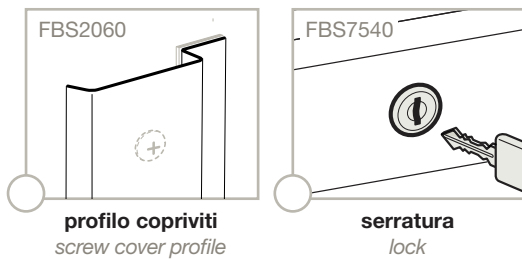
Compilare il presente modulo in tutte le sue parti per una corretta registrazione del vostro ordine.
Fill in this sheet in full for a correct processing of your order

Misure mobile / Cabinet dimensions



A	B	C	D	QUANTITÀ QUANTITY

Varianti / Options



Finitura / Finishing

ANODIZZATI / ANODIZED

- A - brushed
- A2 - inox brushed
- B - mill finish
- B2 - mill inox
- BR2 - matt bronze
- SN - sat nat

PREVERNICIATI / PREPAINTED

- U5 - alumatt
- U6 - inox
- M3 - white
- M4 - matt white
- L2 - matt black
- MO01 - mahogany
- FR01 - ash
- NC01 - walnut

Alcune varianti di dogia non sono disponibili in tutte le finiture Some type of slat are not available in all the finishing

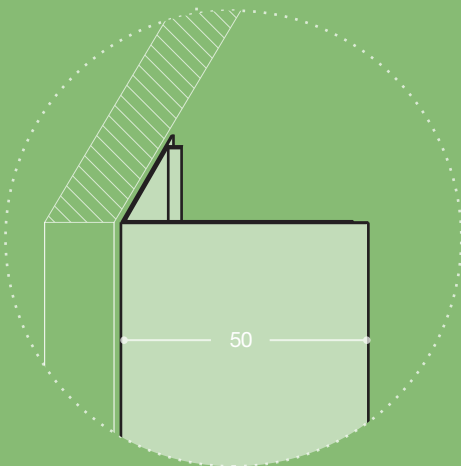
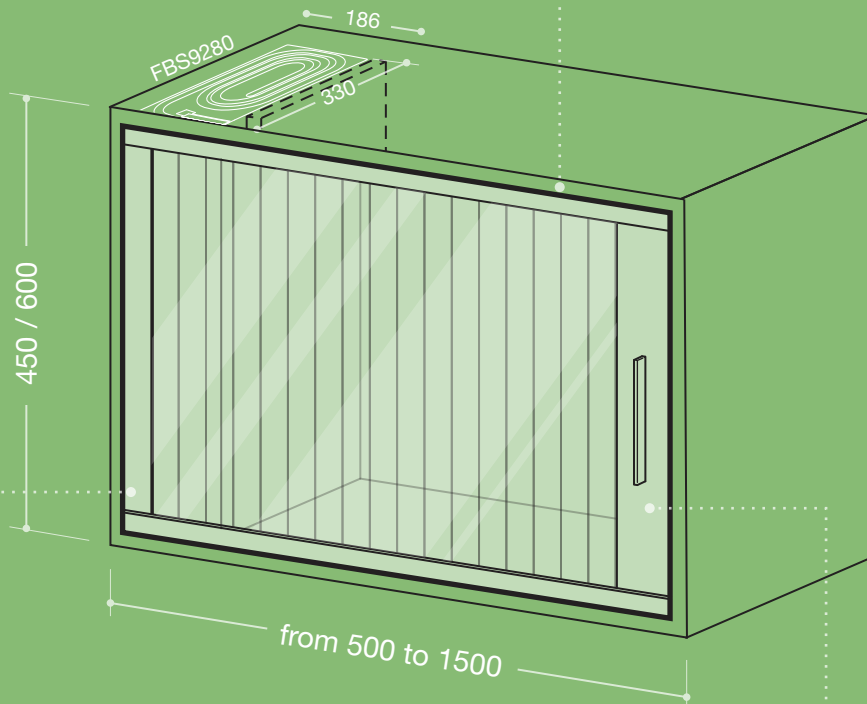
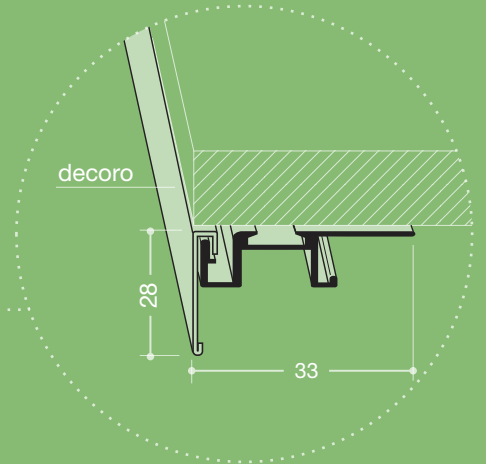
HORIZONTAL

HR5 | GlassMilano Horizontal Minimal

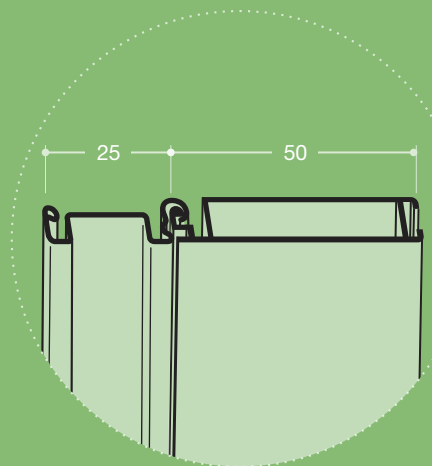
SPESSORE PANNELLO BOARD THICKNESS	16 / 18 / 19 mm
INGOMBRO INTERNO PISTA INTERNAL COILER DIMENSIONS	330 x 186 mm
ARRETRAMENTO RIPIANI SHELVES SETBACK	50 mm
ALTEZZE DISPONIBILI AVAILABLE HEIGHTS <i>misure fuori standard su richiesta non-standard dimensions upon request</i>	450 or 600 mm

misure in mm - dimensions in mm

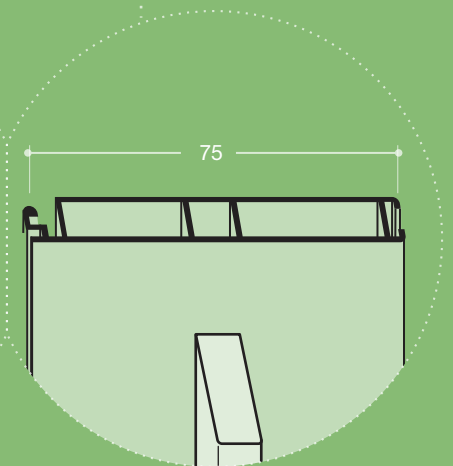
PROFILO GUIDA / GUIDE PROFILE
cod. FBS7554 - decoro cod. FBS2062



PROFILO TOP / TOP PROFILE
cod. FBS7556



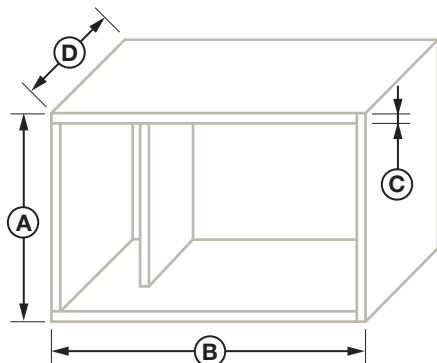
PROFILO CON MANIGLIA / PROFILE WITH HANDLE
cod. FBS7547 + FBS2010 (handle)



cod. FBS7512 + FBS7591 (handle)

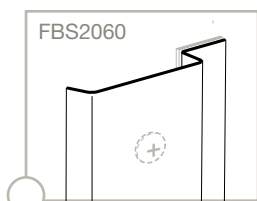
Compilare il presente modulo in tutte le sue parti per una corretta registrazione del vostro ordine.
Fill in this sheet in full for a correct processing of your order

Misure mobile / Cabinet dimensions

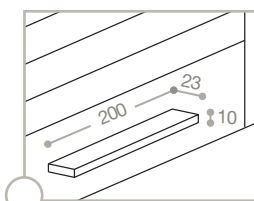


A	B	C	D	QUANTITÀ QUANTITY

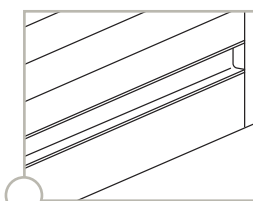
Varianti / Options



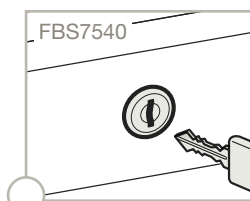
profilo copriviti
screw cover profile



maniglia / handle
FBS7591

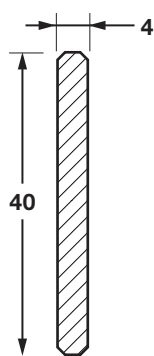


maniglia / handle
FBS2010

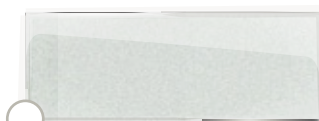


serratura / lock
solo con /only with
FBS 7547 + FBS2010

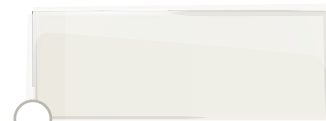
Finitura doghe / Slats finishing



V00 - clear



V01 - Acid etched



V02 - white



V03 - black



V04 - Cappuccino

Finitura decori / Decorative profiles finishing

ANODIZZATI / ANODIZED

- A - brushed
- A2 - inox brushed

SN - sat nat

PREVERNICIATI / PREPAINTED

- M3 - white
- L1 - polish black



GlassMilano MotorGlass



materiali riciclabili
recyclable materials



qualità
quality



vetro temperato
tempered glass



leggerezza
lightness



installazione rapida
fast installation

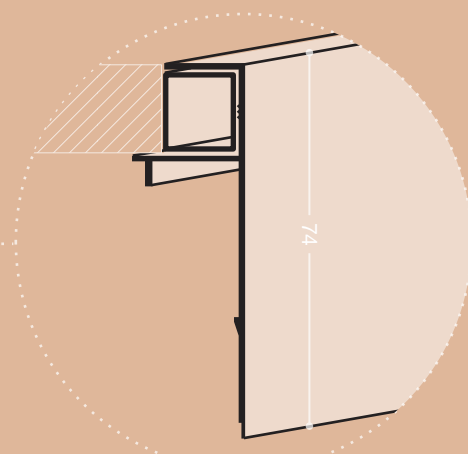
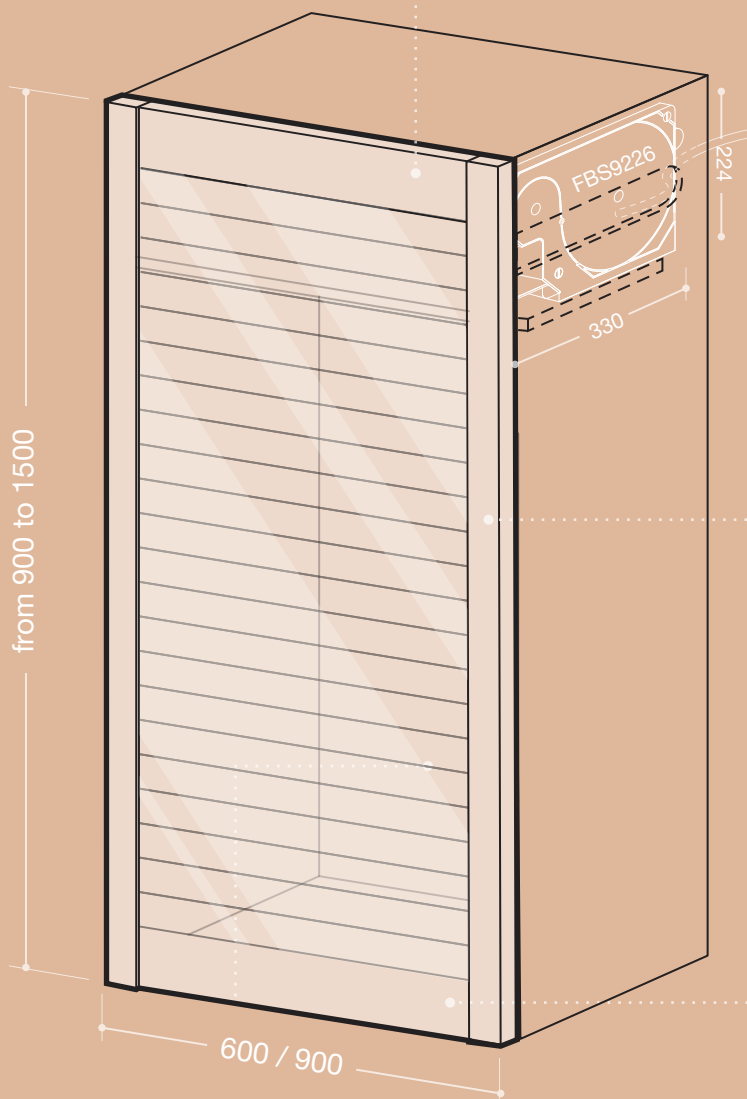


radiocomando
remote control

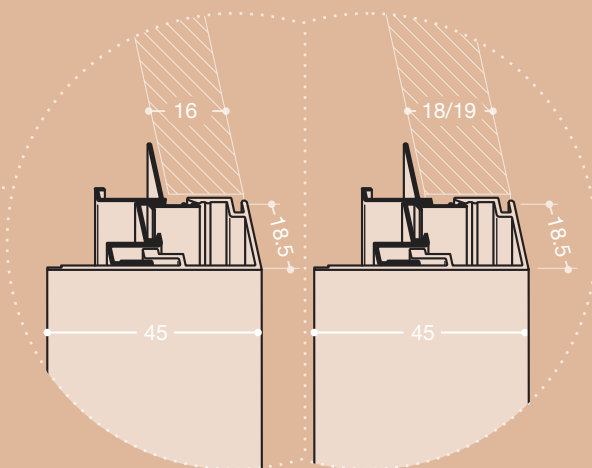
*Sistema di serrandine in vetro temperato fornito in kit pre-assemblato con compensatore di peso pre-caricato.
Tempered glass tambour door system supplied in pre-assembled kit with pre-charged weight compensator.*

GLASSMILANO

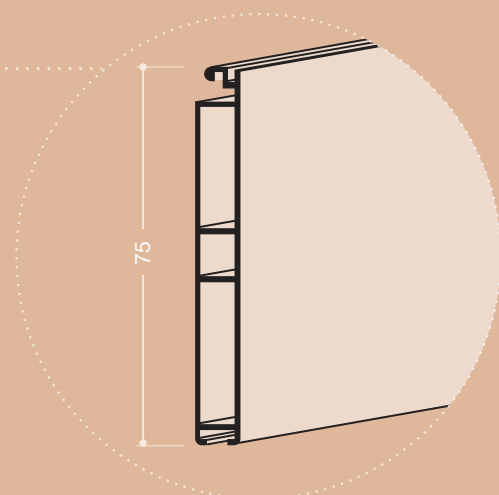
GM3 | MotorGlass 9226



PROFILO TOP / TOP PROFILE
cod. FBS7518 + FBS7553 (sottotop)



PROFILO GUIDA / GUIDE PROFILE
cod. FBS7558 + FBS7555 (decoro) (pannelli da 18 - 19 mm)
cod. FBS7551 + FBS7555 (decoro) (pannelli da 16 mm)

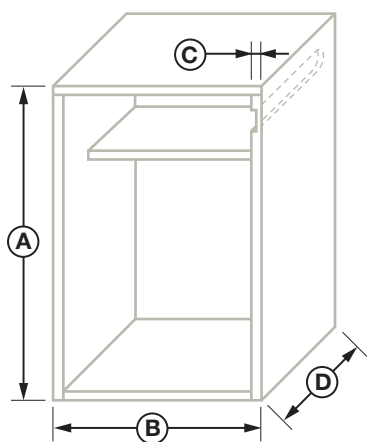


PROFILO TERMINALE / BOTTOM PROFILE
cod. FBS7512

misure in mm - dimensions in mm

SPESSORE PANNELLO BOARD THICKNESS	16 / 18 / 19 mm
INGOMBRO INTERNO PISTA INTERNAL COILER DIMENSIONS	330 x 224 mm
ARRETRAMENTO RIPIANI SHELVES SETBACK	50 mm
LARGHEZZE DISPONIBILI AVAILABLE WIDTHS	600 or 900 mm
<i>misure fuori standard su richiesta non-standard dimensions upon request. min 600 - max 900 mm</i>	

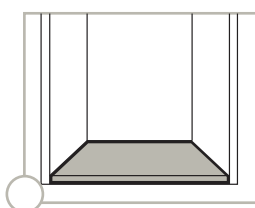
Compilare il presente modulo in tutte le sue parti per una corretta registrazione del vostro ordine.
Fill in this sheet in full for a correct processing of your order



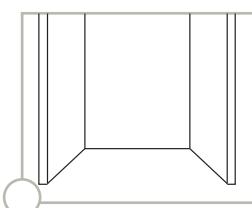
Misure mobile / Cabinet dimensions

A	B	C	D	QUANTITÀ QUANTITY

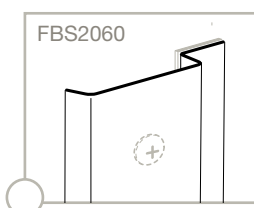
Varianti / Options



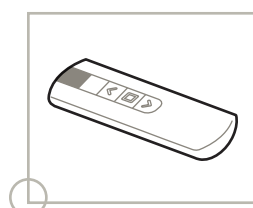
box con base
box with basement



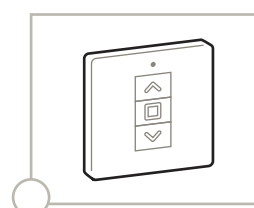
box senza base
box without basement



profilo copriviti
screw cover profile

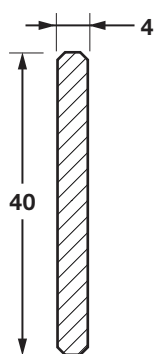


radiocomando
remote control



radiocomando a parete
wall mounted remote control

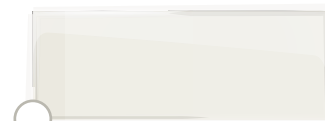
Finitura doghe / Slats finishing



V00 - clear



V01 - Acid etched



V02 - white



V03 - black



V04 - Cappuccino

Finitura decori / Decorative profiles finishing

ANODIZZATI / ANODIZED

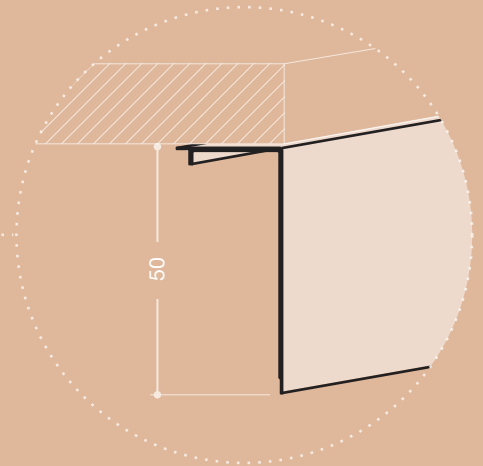
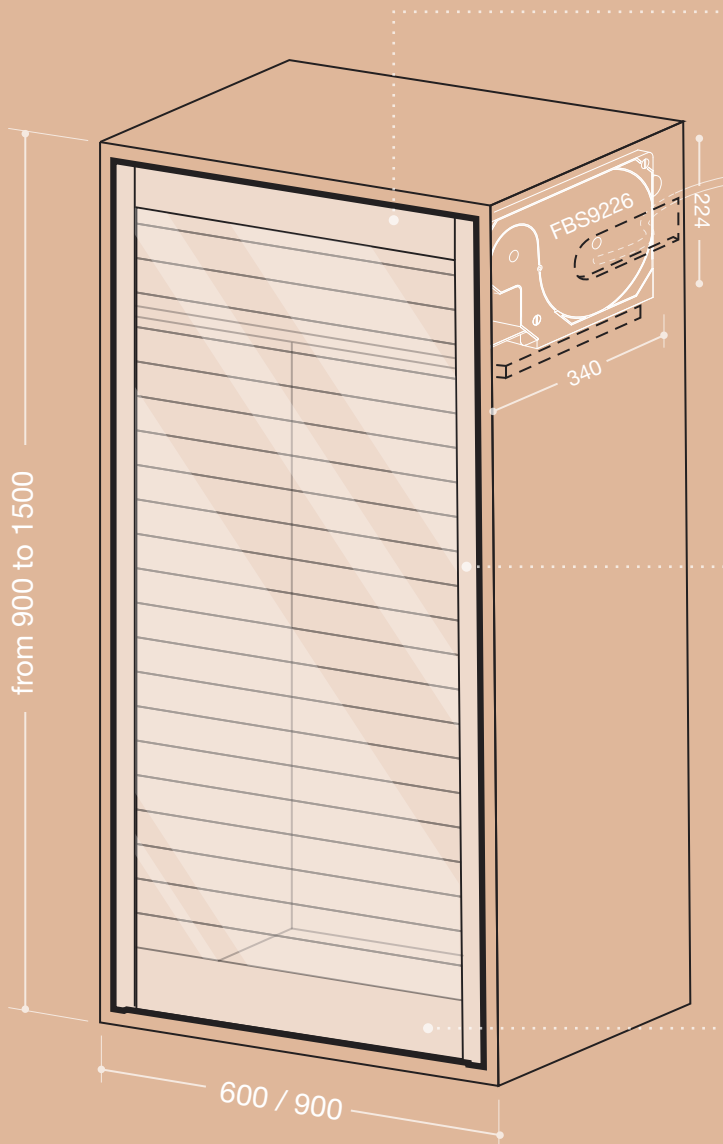
- A** - brushed
 A2 - inox brushed

SN - sat nat

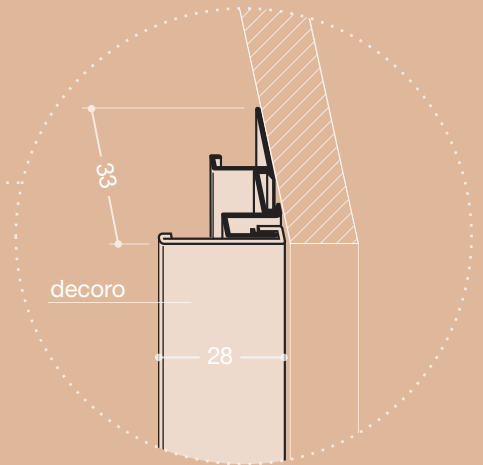
PREVERNICIATI / PREPAINTED

- M3** - white
 L1 - polish black

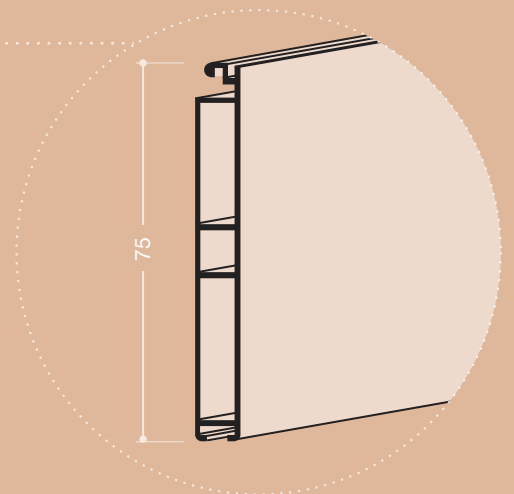
GM4 | MotorGlass 9226 Minimal



PROFILO TOP / TOP PROFILE
cod. FBS7556



PROFILO GUIDA / GUIDE PROFILE
cod. FBS7554 - decoro cod. FBS2062

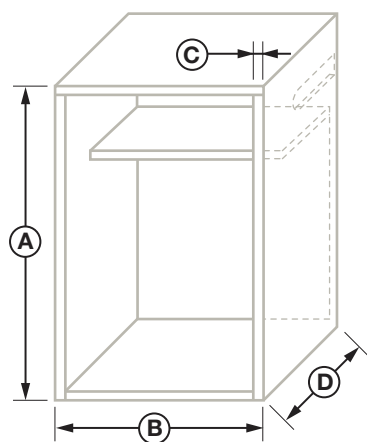


PROFILO TERMINALE / BOTTOM PROFILE
cod. FBS7512

misure in mm - dimensions in mm

SPESSORE PANNELLO BOARD THICKNESS	16 / 18 / 19 mm
INGOMBRO INTERNO PISTA INTERNAL COILER DIMENSIONS	340 x 224 mm
ARRETRAMENTO RIPIANI SHELVES SETBACK	50 mm
LARGHEZZE DISPONIBILI AVAILABLE WIDTHS <i>misure fuori standard su richiesta non-standard dimensions upon request. min 600 - max 900 mm</i>	600 or 900 mm

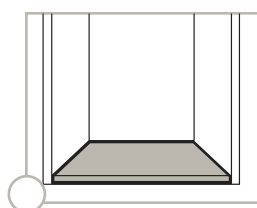
Compilare il presente modulo in tutte le sue parti per una corretta registrazione del vostro ordine.
Fill in this sheet in full for a correct processing of your order



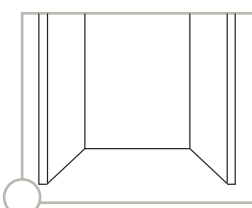
Misure mobile / Cabinet dimensions

A	B	C	D	QUANTITÀ QUANTITY

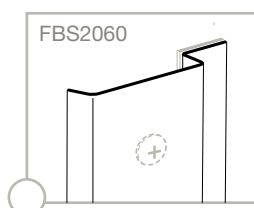
Varianti / Options



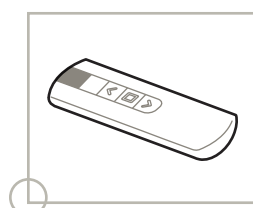
box con base
box with basement



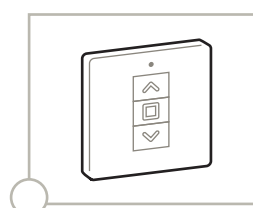
box senza base
box without basement



profilo copriviti
screw cover profile

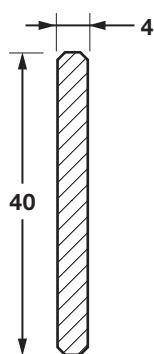


radiocomando
remote control



radiocomando a parete
wall mounted remote control

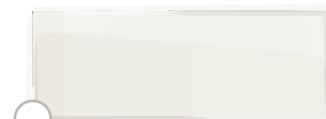
Finitura doghe / Slats finishing



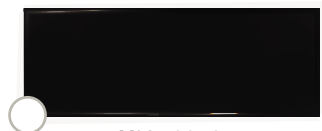
V00 - clear



V01 - Acid etched



V02 - white



V03 - black



V04 - Cappuccino

Finitura decori / Decorative profiles finishing

ANODIZZATI / ANODIZED

- A** - brushed
 A2 - inox brushed

SN - sat nat

PREVERNICIATI / PREPAINTED

- M3** - white
 L1 - polish black



Motoroll



materiali riciclabili
recyclable materials



qualità
quality



resistenza
endurance



leggerezza
lightness



installazione rapida
fast installation

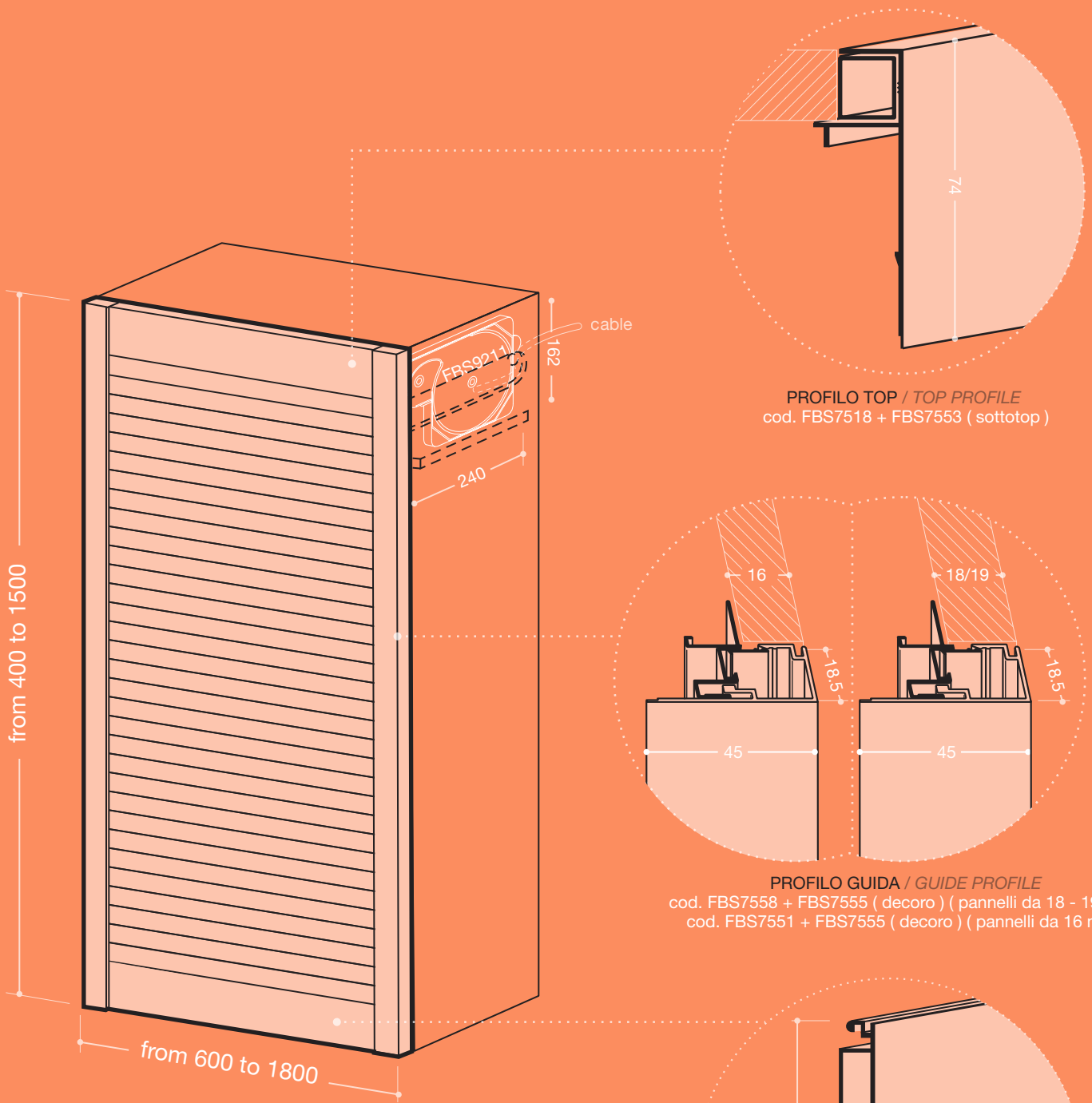


radiocomando
remote control

Sistema di serrandine motorizzato 100% alluminio fornito in kit pre-assemblato, apertura con radiocomando. Disponibile in un ampio range di misure e accessori.
Motorized 100% aluminium tambour door system supplied in pre-assembled kit, remote controlled opening. Available in a wide range of dimensions and accessories.

MOTOROLL

MR1 | Motoroll 9211



PROFILO TOP / TOP PROFILE
cod. FBS7518 + FBS7553 (sottotop)

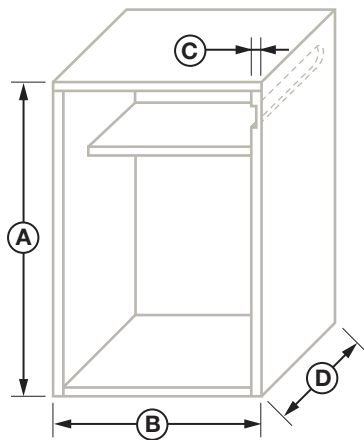
PROFILO GUIDA / GUIDE PROFILE
cod. FBS7558 + FBS7555 (decoro) (pannelli da 18 - 19 mm)
cod. FBS7551 + FBS7555 (decoro) (pannelli da 16 mm)

PROFILO TERMINALE / BOTTOM PROFILE
cod. FBS7512

misure in mm - dimensions in mm

SPESSORE PANNELLO BOARD THICKNESS	16 / 18 / 19 mm
INGOMBRO INTERNO PISTA INTERNAL COILER DIMENSIONS	240 x 162 mm
ARRETRAMENTO RIPIANI SHELVES SETBACK	50 mm

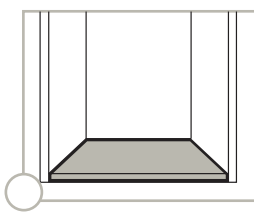
Compilare il presente modulo in tutte le sue parti per una corretta registrazione del vostro ordine.
Fill in this sheet in full for a correct processing of your order



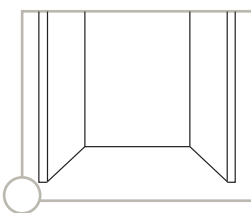
Misure mobile / Cabinet dimensions

A	B	C	D	QUANTITÀ QUANTITY

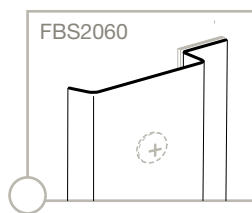
Varianti / Options



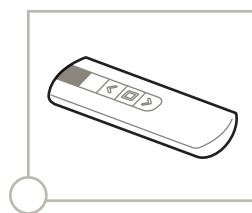
box con base
box with base



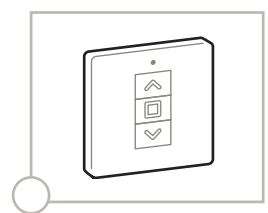
box senza base
box without base



profilo copriviti
screw cover profile



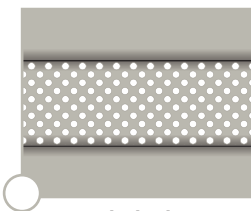
radiocomando
remote control



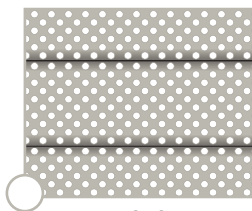
radiocomando fisso
fixed remote control



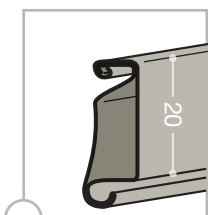
standard



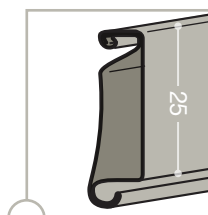
wind mix



wind



FBS2000
rinforzato reinforced



FBS2025
rinforzato reinforced

Finitura / Finishing

ANODIZZATI / ANODIZED

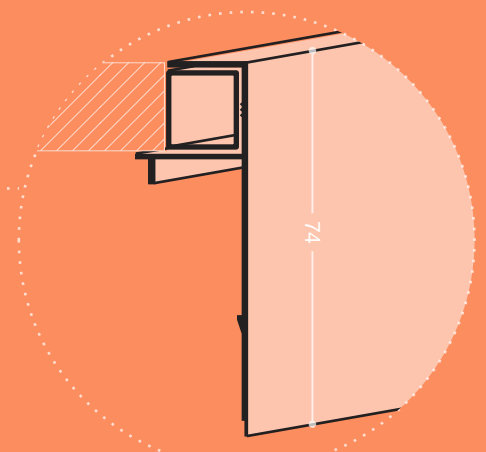
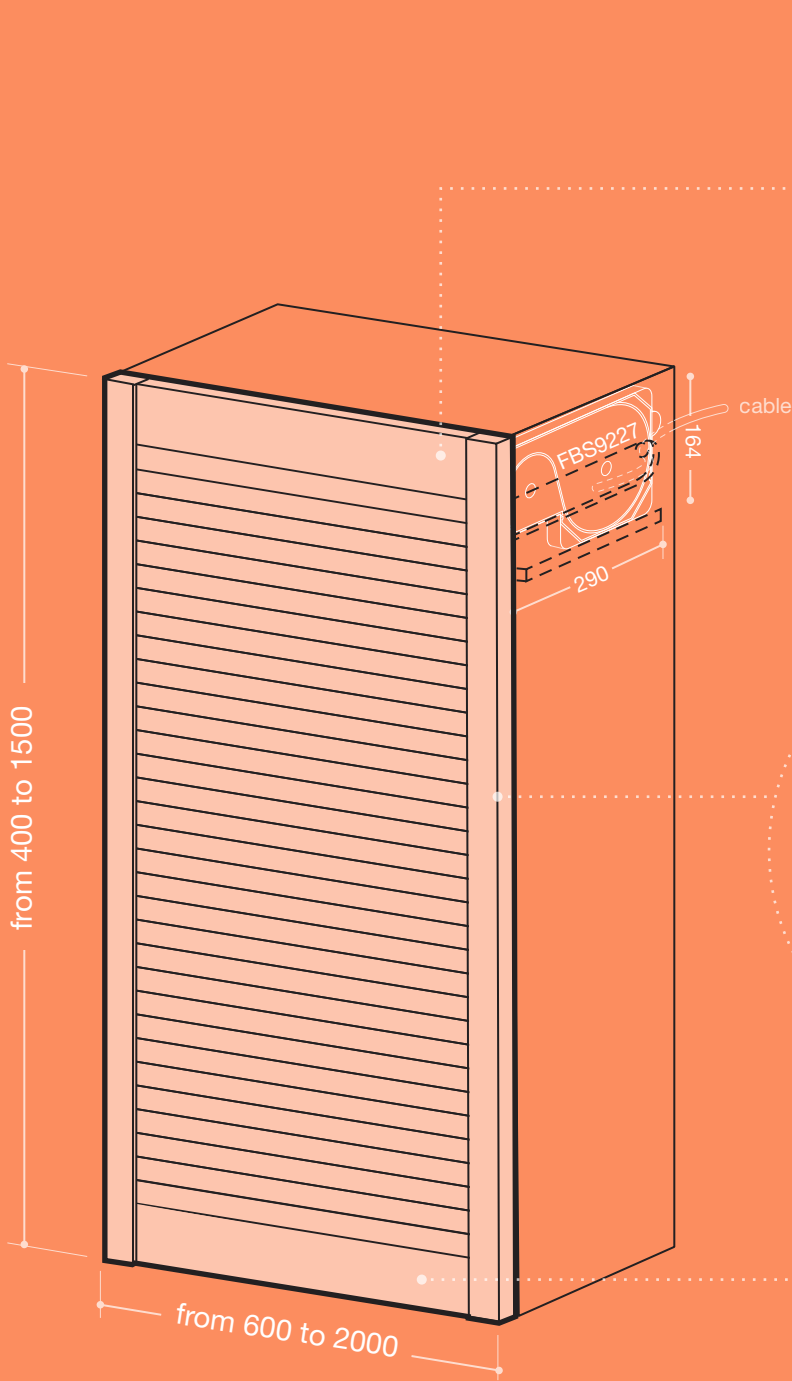
- A - brushed
- A2 - inox brushed
- B - mill finish
- B2 - mill inox
- BR2 - matt bronze
- SN - sat nat

PREVERNICIATI / PREPAINTED

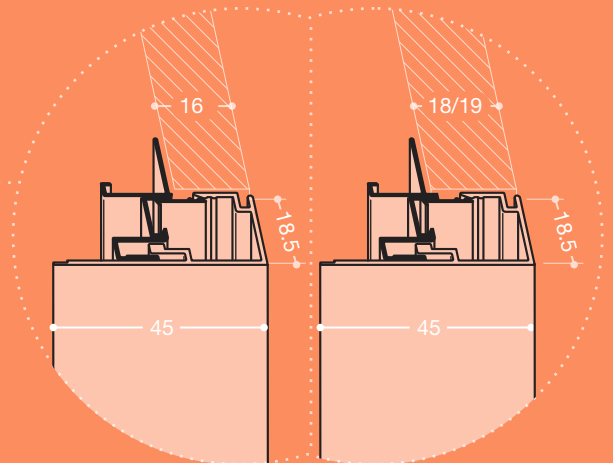
- U5 - alumatt
- U6 - inox
- M3 - white
- M4 - matt white
- L2 - matt black
- MO01 - mahogany
- FR01 - ash
- NC01 - walnut

MOTOROLL

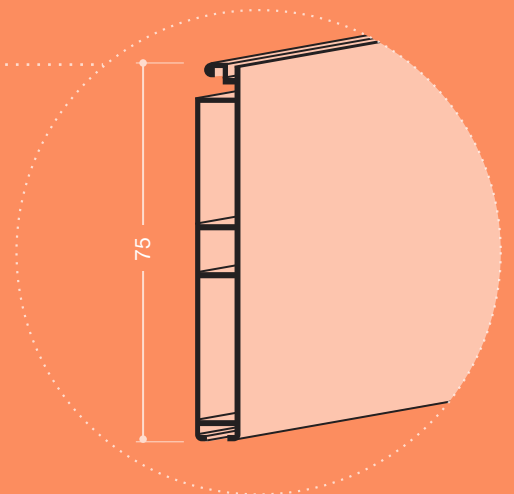
MR2 | Motorola 9227



PROFILO TOP / TOP PROFILE
cod. FBS7518 + FBS7553 (sottotop)



PROFILO GUIDA / GUIDE PROFILE
cod. FBS7558 + FBS7555 (decoro) (pannelli da 18 - 19 mm)
cod. FBS7551 + FBS7555 (decoro) (pannelli da 16 mm)

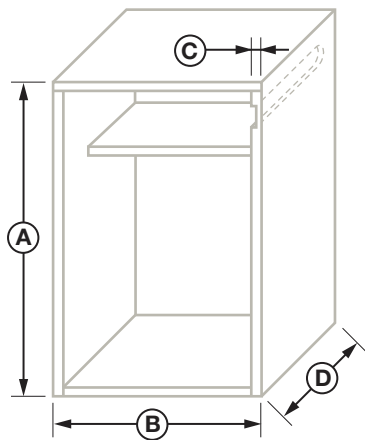


PROFILO TERMINALE / BOTTOM PROFILE
cod. FBS7512

misure in mm - dimensions in mm

SPESSORE PANNELLO BOARD THICKNESS	16 / 18 / 19 mm
INGOMBRO INTERNO PISTA INTERNAL COILER DIMENSIONS	290 x 164 mm
ARRETRAMENTO RIPIANI SHELVES SETBACK	50 mm

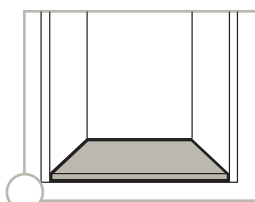
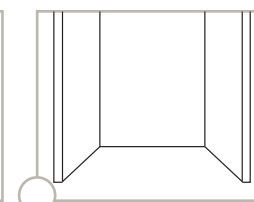
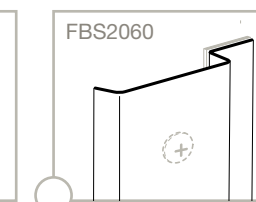
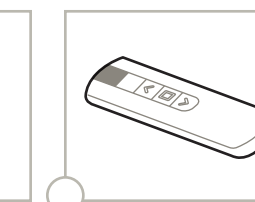
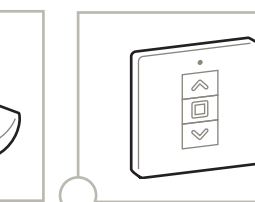

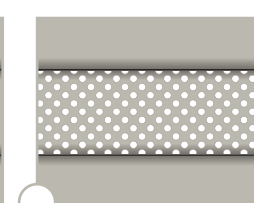

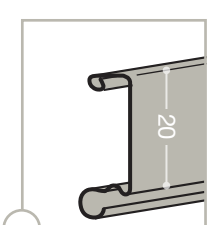
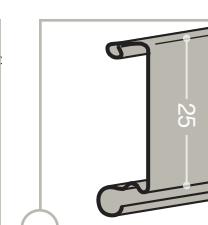
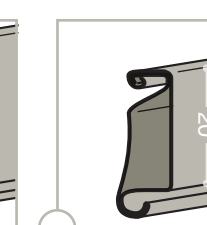
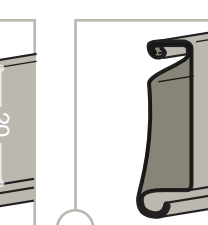
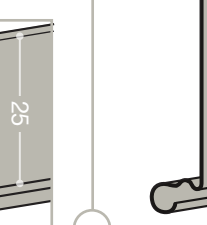
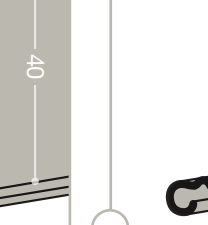
Compilare il presente modulo in tutte le sue parti per una corretta registrazione del vostro ordine.
Fill in this sheet in full for a correct processing of your order



Misure mobile / Cabinet dimensions

A	B	C	D	QUANTITÀ QUANTITY

Varianti / Options

 box con base box with basement	 box senza base box without basement	 FBS2060 profilo copriviti screw cover profile	 radiocomando remote control	 radiocomando fisso fixed remote control
 standard	 wind mix	 wind		
 FBS2020	 FBS2125	 FBS2000 rinforzato reinforced	 FBS2025 rinforzato reinforced	 FBS2140
				 FBS2141 rinforzato reinforced

Finitura / Finishing

ANODIZZATI / ANODIZED

- A - brushed
- B2 - mill inox
- A2 - inox brushed
- BR2 - matt bronze
- B - mill finish
- SN - sat nat

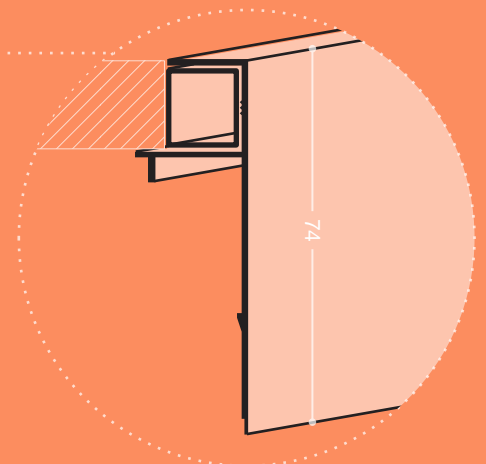
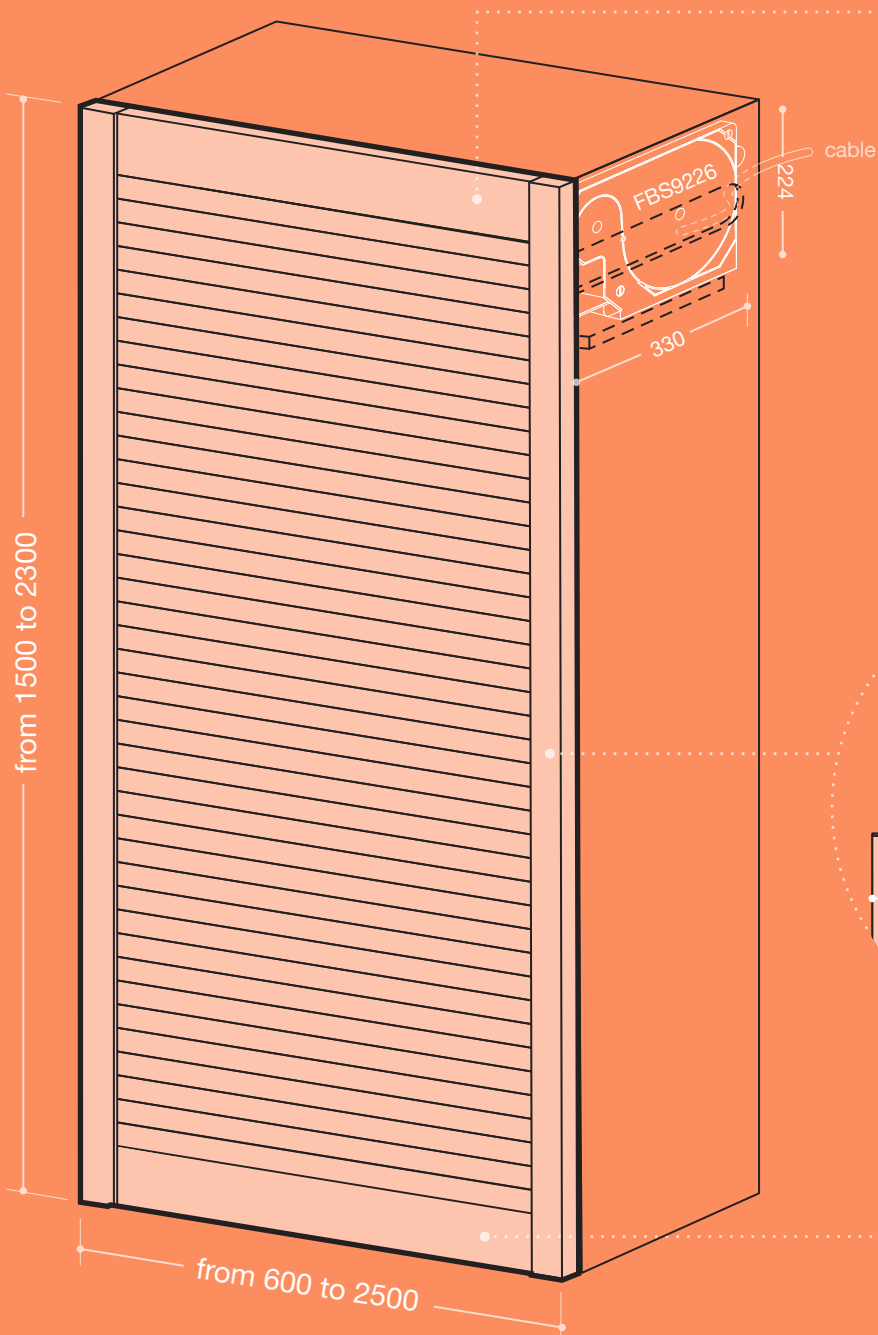
PREVERNICIATI / PREPAINTED

- U5 - alumatt
- M4 - matt white
- U6 - inox
- L2 - matt black
- M3 - white
- MO01 - mahogany
- FR01 - ash
- NC01 - walnut

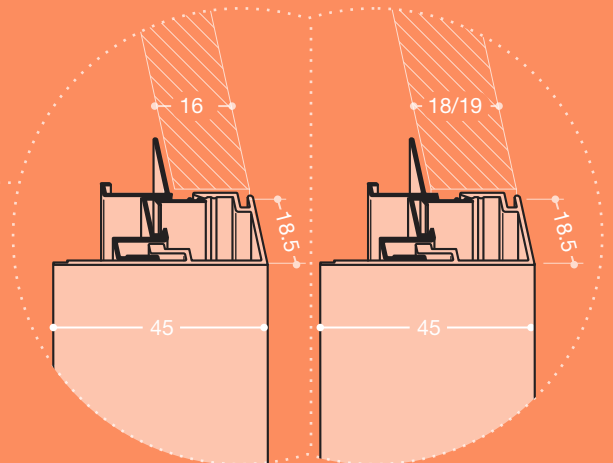
Alcune varianti di dogia non sono disponibili in tutte le finiture Some type of slat are not available in all the finishing

MOTOROLL

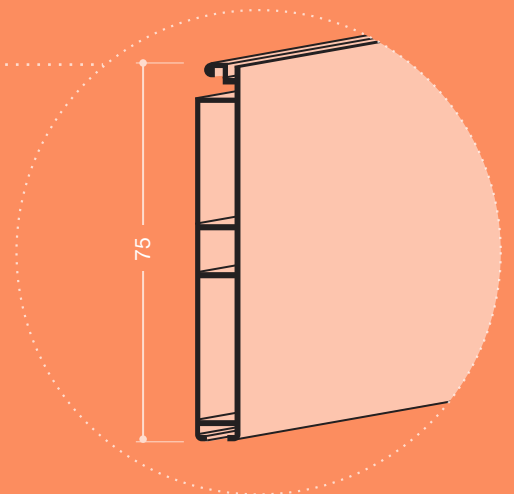
MR3 | Motoroll 9226



PROFILO TOP / TOP PROFILE
cod. FBS7518 + FBS7553 (sottotop)



PROFILO GUIDA / GUIDE PROFILE
cod. FBS7558 + FBS7555 (decoro) (pannelli da 18 - 19 mm)
cod. FBS7551 + FBS7555 (decoro) (pannelli da 16 mm)



PROFILO TERMINALE / BOTTOM PROFILE
cod. FBS7512

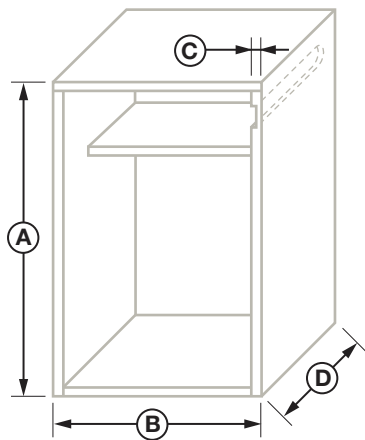
misure in mm - dimensions in mm

SPESSORE PANNELLO BOARD THICKNESS	16 / 18 / 19 mm
INGOMBRO INTERNO PISTA INTERNAL COILER DIMENSIONS	330 x 224 mm
ARRETRAMENTO RIPIANI SHELVES SETBACK	50 mm
MASSIMA SUPERFICIE H x L maximum surface H x W	4 m ²

MR3 MODULO D' ORDINE / ORDER SHEET



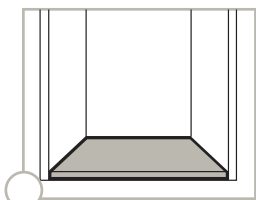
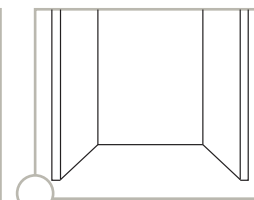
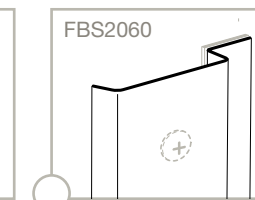
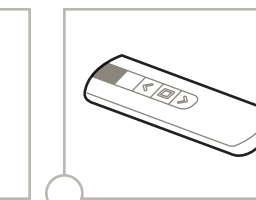
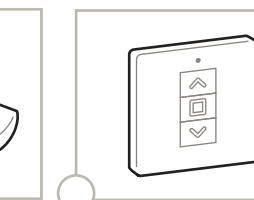

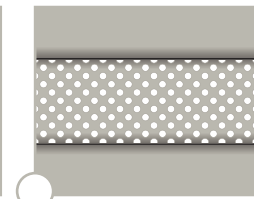

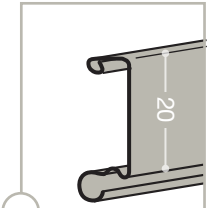
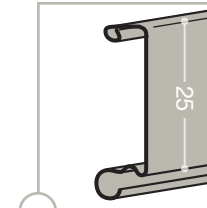
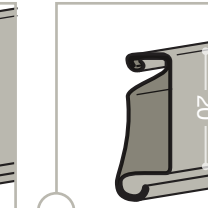
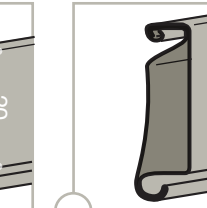
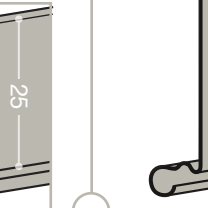
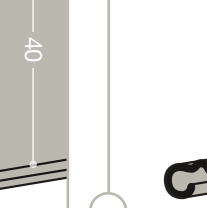
Compilare il presente modulo in tutte le sue parti per una corretta registrazione del vostro ordine.
Fill in this sheet in full for a correct processing of your order



Misure mobile / Cabinet dimensions

A	B	C	D	QUANTITÀ QUANTITY

Varianti / Options

 box con base box with basement	 box senza base box without basement	 FBS2060 profilo copriviti screw cover profile	 radiocomando remote control	 radiocomando fisso fixed remote control
 standard	 wind mix	 wind		
 FBS2020	 FBS2125	 FBS2000 rinforzato reinforced	 FBS2025 rinforzato reinforced	 FBS2140
				 FBS2141 rinforzato reinforced

Finitura / Finishing

ANODIZZATI / ANODIZED

- A - brushed
- B2 - mill inox
- A2 - inox brushed
- BR2 - matt bronze
- B - mill finish
- SN - sat nat

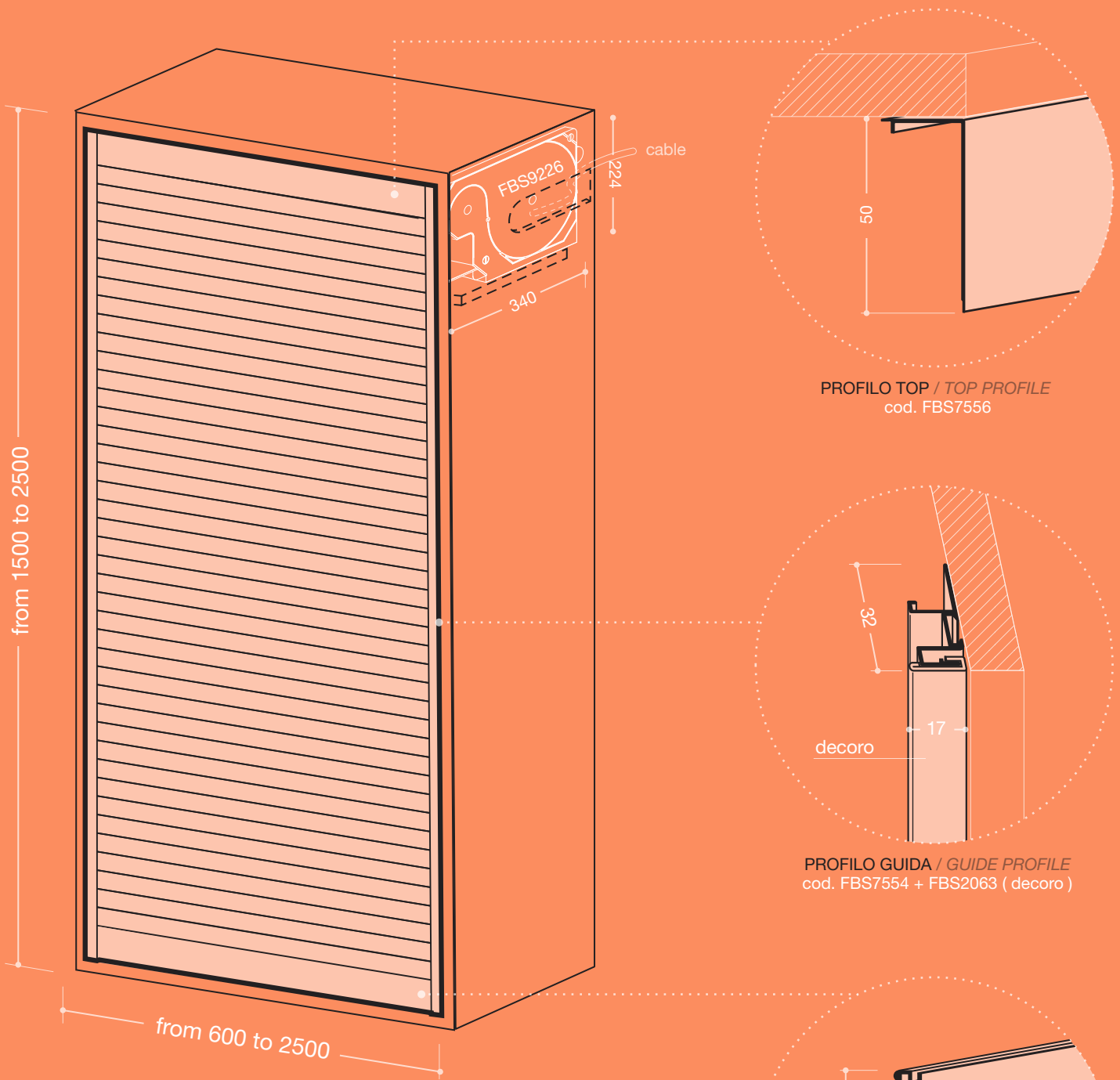
PREVERNICIATI / PREPAINTED

- U5 - alumatt
- M4 - matt white
- U6 - inox
- L2 - matt black
- M3 - white
- MO01 - mahogany
- FR01 - ash
- NC01 - walnut

Alcune varianti di dogia non sono disponibili in tutte le finiture Some type of slat are not available in all the finishing

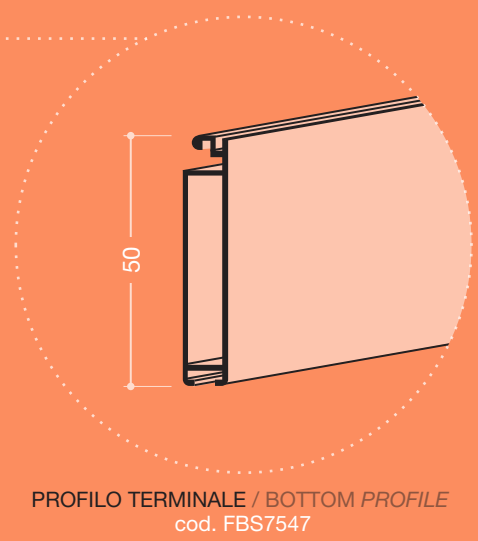
MOTOROLL

MR4 | Motoroll 9226 Minimal

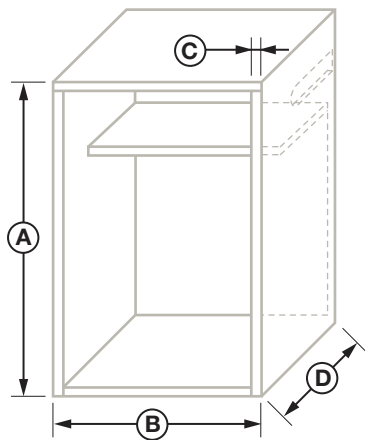


misure in mm - dimensions in mm

SPESSORE PANNELLO BOARD THICKNESS	qualsiasi / any
INGOMBRO INTERNO PISTA INTERNAL COILER DIMENSIONS	340 x 224 mm
ARRETRAMENTO RIPIANI SHELVES SETBACK	50 mm
MASSIMA SUPERFICIE H x L maximum surface H x W	4 m ²



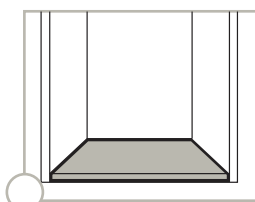
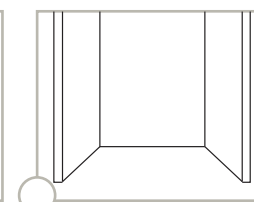
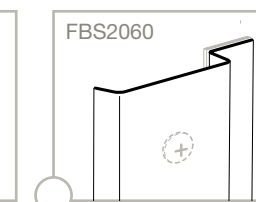
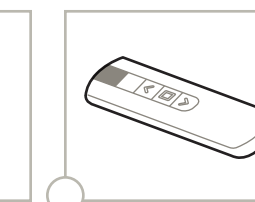
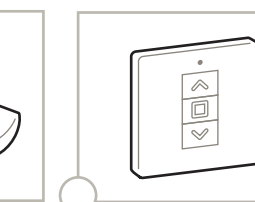

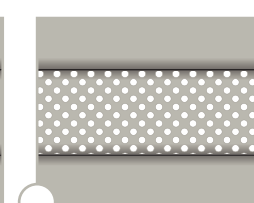

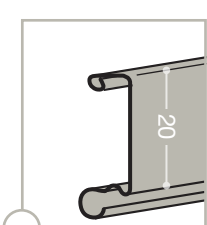
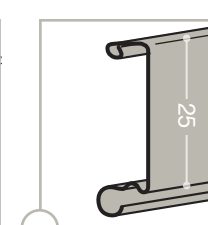
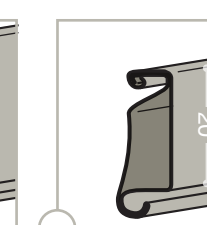
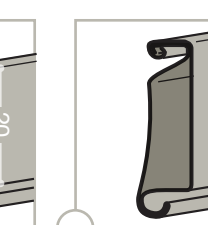
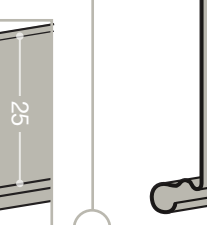
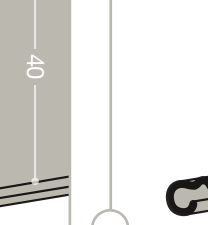
Compilare il presente modulo in tutte le sue parti per una corretta registrazione del vostro ordine.
Fill in this sheet in full for a correct processing of your order



Misure mobile / Cabinet dimensions

A	B	C	D	QUANTITÀ QUANTITY

Varianti / Options

 box con base box with basement	 box senza base box without basement	 FBS2060 profilo copriviti screw cover profile	 radiocomando remote control	 radiocomando fisso fixed remote control
 standard	 wind mix	 wind		
 FBS2020	 FBS2125	 FBS2000 rinforzato reinforced	 FBS2025 rinforzato reinforced	 FBS2140
				 FBS2141 rinforzato reinforced

Finitura / Finishing

ANODIZZATI / ANODIZED

- A - brushed
- B2 - mill inox
- A2 - inox brushed
- BR2 - matt bronze
- B - mill finish
- SN - sat nat

PREVERNICIATI / PREPAINTED

- U5 - alumatt
- M4 - matt white
- U6 - inox
- L2 - matt black
- M3 - white
- MO01 - mahogany
- FR01 - ash
- NC01 - walnut

Alcune varianti di dogia non sono disponibili in tutte le finiture Some type of slat are not available in all the finishing