

Lamello

# Catalog

2019 / 2020

*english*



*A strong  
connection.  
Inspiring.*



# *A strong connection. Inspiring.*

High-end system solutions.

Lamello's exciting and successful history started when the company was founded in 1944. The invention of the original biscuits in 1955 saw Lamello gain worldwide recognition, and large quantities are still produced and installed to this day. Yet anyone who knows Lamello knows that we don't like to stand still. Lamello has continuously developed over the years and has launched numerous innovations. We are proud to be the market leader in the manufacturing of

precision joining systems. Working together as a team, we strive to constantly supplement our system solutions with new, practical components that are simpler than you might expect. This in turn enables us to continuously expand the use of our system. Our customers from trade and industry thereby benefit from a wide spectrum of design options, practical functionality and optimized production costs.



# Content

## P-System 16 – 47



Advantages and properties.....	19
P-System – Overview of connectors .....	20 – 21
<b>P-System joining elements</b>	
<b>Clamex P-14</b> , detachable connector.....	22
<b>Clamex P-10</b> , detachable connector.....	23
<b>Clamex P Medius 14/10</b> , detachable connector for center panels .....	23
<b>Bisco P-14 / Bisco P-10</b> , aligning element.....	24
Clamex P – Applications .....	25 – 27
<b>Tenso P</b> , self-clamping connector as gluing aid .....	28 – 29
<b>Tenso P-14 / Tenso P-10 + preload function</b> , self-clamping connector as gluing aid, for all angles.....	30 – 31
Tenso P – Applications .....	32 – 33
<b>Divario P-18</b> , self-clamping, invisible connector for slide-insertion.....	34
Divario P-18 – Applications .....	35
P-System biscuit joiner, <b>Zeta P2</b>	
P-System – Zeta P2 .....	36 – 39
P-System CNC	
<b>CNC partners</b> .....	41
<b>CNC machines</b> .....	42
<b>CNC tools</b> .....	43
Requirements for your CNC machines.....	43 – 45
Ideas for standardizing the machining on a CNC machine.....	46
Ideal combination of CNC machines and Zeta P2.....	46 – 47

## Lamello-System 48 – 61



Advantages and properties.....	51
Versatile application .....	52
Joining elements	
<b>Original solid wood biscuit</b> .....	53
<b>Gluing</b> , Minicol, Servicol, Dosicol, Clamping System.....	54
<b>Clamex S</b> , connector with screw insertion.....	55
<b>E20</b> , self-clamping element .....	56
<b>K20</b> , clamping element .....	57
<b>C20</b> , solid surface element.....	57
<b>Simplex</b> , detachable slide-in connector .....	57
These properties make the difference .....	58
Biscuit joiners	
<b>Classic X</b> .....	59
<b>Top 21</b> .....	60
Lamello System – overview of connectors .....	61

## Drilling Systems 62 – 75



Cabineo CNC cabinet connector	
Advantages and properties .....	65
<b>Cabineo 8 / Cabineo 8 black / Cabineo 12 / Cabineo 12 black</b> .....	66
Cabineo – Machining .....	67
Cabineo – Applications.....	68 – 69
Magnet-driven joining element Invis Mx2	
Advantages and properties .....	71
<b>Invis Mx2</b> .....	72 – 73
Drill jig, <b>Rasto</b> .....	74 – 75

## Gluing System

76 – 81



Advantages and properties.....	78
Glue applicators, <b>LK 3</b> , <b>LK 5</b> , <b>LK 10</b> .....	79
Glue pistols, <b>LK 0</b> .....	79
Gluing nozzles .....	80 – 81

## Repairing

82 – 85



Advantages and properties.....	83
Minispot grooving machines, <b>G2A</b> .....	83
<b>Minispot patches</b> .....	84 – 85
<b>Knot patches and crossbar pins</b> .....	85

## Window renovation

86 – 91



Advantages and properties.....	89
Window replacement machines <b>Tanga DX200</b> .....	90
Tanga DX200 – Applications .....	91

## Laminate trimmer

92 – 93



Advantages and properties.....	93
Edge profiling machines, <b>Profila E plus</b> / <b>Profila Pro plus</b> .....	93

## Grooving machine

94 – 95



Advantages and properties.....	95
Expansion gap cutters <b>Variocut</b> .....	95

## Accessories / Spare Parts

96 – 108

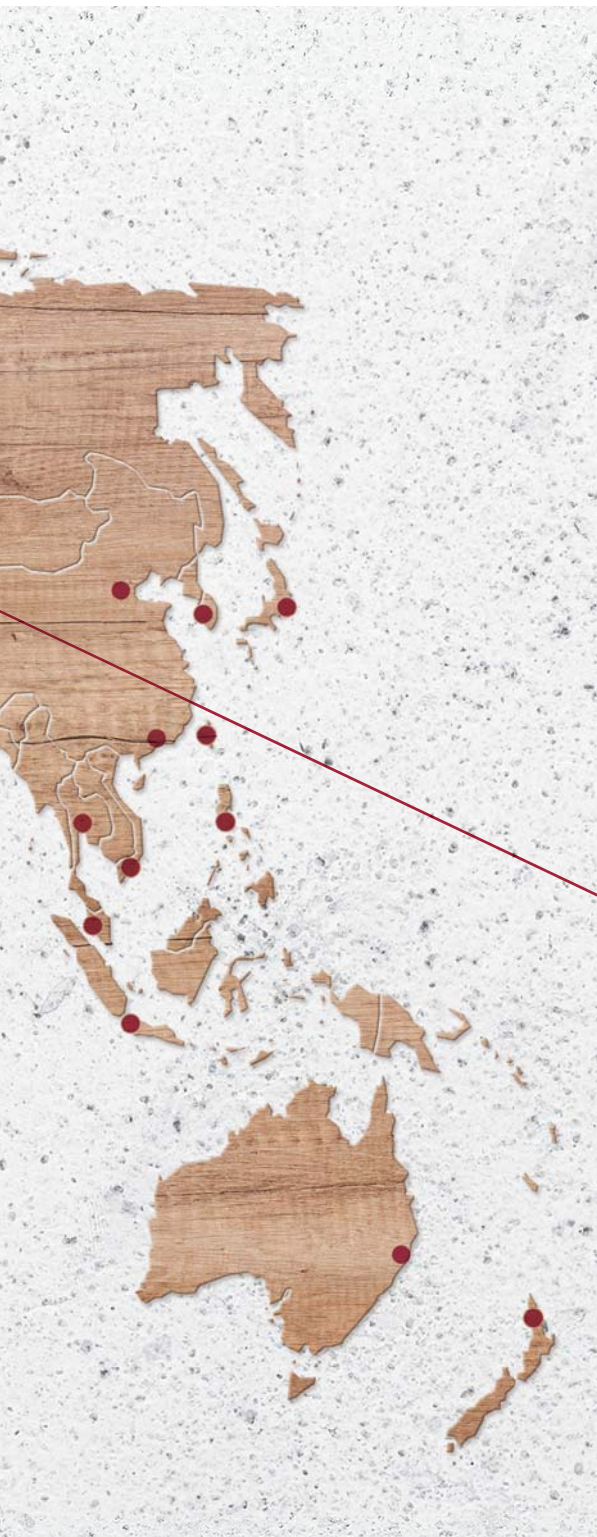


Accessories	
P-System .....	98 – 99
Lamello-System .....	100
Drilling Systems.....	101
Gluing System .....	102
Repairing .....	103
Window renovation.....	104 – 105
Laminate trimmer .....	106
Grooving machine .....	106
Dust collection accessories.....	107
Spare parts.....	108

<b>Overview of connectors</b> .....	109 – 110
-------------------------------------	-----------



*Far-reaching.  
Close to home.*



Lamello headquarter, Bubendorf Switzerland



## At home right across the globe.

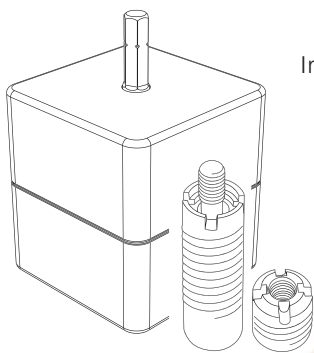
We enjoy supporting you with our international sales network consisting of four subsidiaries, distributors in 50 countries and more than 400 sales partners worldwide. As such we are available locally for our customers anywhere and at any time, be it for individual advice, training or services.

# Looking back. Thinking ahead.

Ideas that were always ahead of their time.

Every milestone starts with an idea. However, revolutionary ideas don't just come about easily. It is only through many years of practical knowledge and intensive development working together

with our customers that we have been able to constantly come up with new solutions, and in so doing decisively shape the market for wood joining technology and wood processing to this day.

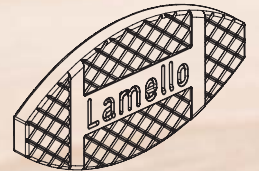


**2001**  
Interzum award:  
**Invis joining system**



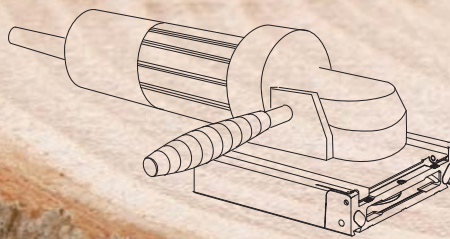
**1969**  
Founding of  
**Lamello AG**

**1958**  
Invention:  
**First stationary  
Lamello biscuit  
joiner LO1**

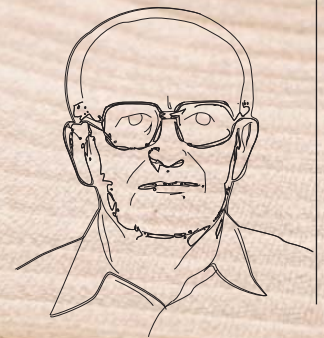


**1955**  
Invention:  
**Lamello-System**

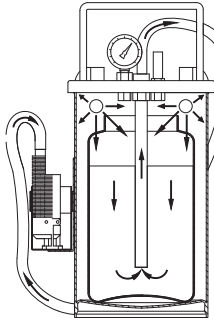
**1968**  
Invention:  
**First manually guided  
Lamello biscuit joiner**



**1944**  
Joinery founded by  
**Hermann Steiner in  
Liestal**

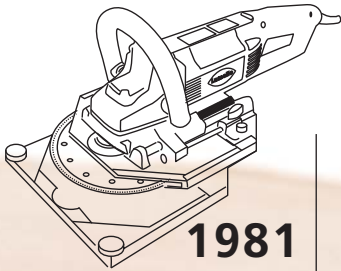






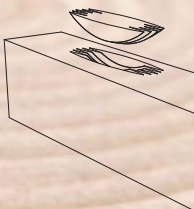
**1996**

Acquisition and development:  
**Schneberger  
gluing technology**



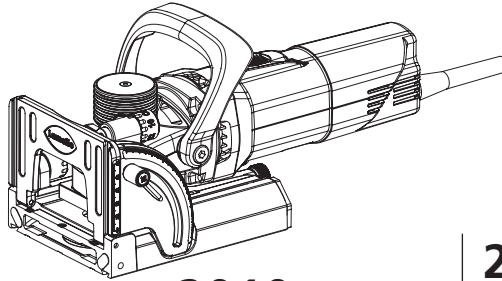
**1981**

Invention:  
**Tanga 150,  
window cutter**



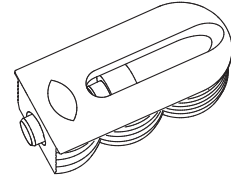
**1970**

Invention:  
**Wood repair  
system**



**2010**

Invention:  
**Zeta, power tool  
for the P-System**

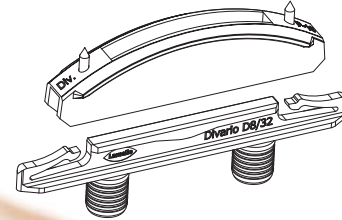


**2017**

Invention:  
**Cabineo the  
CNC connector  
of the future!**

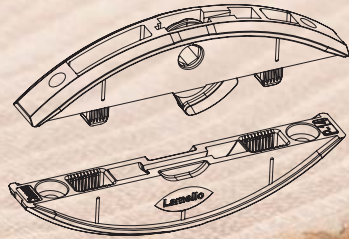
**2015**

Interzum award:  
**Invention  
Divario P-18**



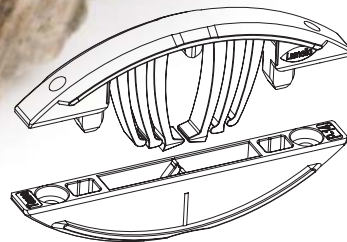
**2009**

Interzum award:  
**Invention  
Clamex P**



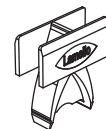
**2017**

Development:  
**Tanga DX200**



**2013**

Interzum award:  
**Invention  
Tenso P-14**



As a leading manufacturer of precision joining systems, Lamello sets new standards with the P-System when it comes to joining connectors and workpieces. The system's special feature is its form-locking anchorage that does not require the use of adhesive or screws. The great benefit for the customer lies in the simplicity of the installation of the connectors – taking just a few seconds without the need for tools. The versatile range of P-System connectors is continuously being expanded with new, highly practical and innovative components which allow for an increasingly universal application of the system. Our customers in trade and industry benefit continuously from the system's high functional efficiency and process cost efficiency.





Susanne Affolter, Owner Lamello AG

*“Lamello’s system solutions are synonymous with quality, innovation and excellent functionality, and are used across the globe where they have proven their worth millions of times over!”*

*Susanne Affolter*

*Managing Director and Owner at Lamello AG*

# *Comprehensively designed. Utmost precision.*

Our ambition.

When faced with the choice of convincing customers or surpassing expectations, we say: why not do both? We want to win over customers through our committed, well trained and experienced employees. We want to surpass your expectations with our high-quality

precision technology, first-class quality and professionalism. Or, to quote Oscar Wilde: "I have the simplest tastes. I am always satisfied with the best." This quote perfectly sums up our ambitions.



## Swiss premium quality.

We are proud that the wood for our biscuits has been sourced from where our head office is located in Bubendorf ever since production began. This is our process: the beech logs that are delivered are initially cut into scantlings, which are then kiln-dried. The lattice design is embossed into the element during the

stamping process and the element is compressed. In the next step, the distinctive oval shape is stamped out diagonally to the grain. After successfully passing the quality inspection, the biscuits are delivered from Bubendorf to locations across the globe.



*“Formed more than seven decades ago in search of a solution to inspire the wood processing technology industry right through to the present day.”*

*Karl Steiner, Chairman of the Board of Directors*



*“The time saved with the P-System convinced us from the start.”*

*from left to right: Hannes Kofler, production planning and organisation;  
Daniel Kofler, purchasing and sales at Kofler in St. Felix, Italy*

# The name Lamello combines *Tradition and Innovation.*

We particularly value:

## *A strong connection. Inspiring.*

We develop, produce and market intelligent, innovative systems and application solutions that have clear, unique selling points and high user value for joining technology. We have an extraordinarily high standard of quality and place immense value on Swiss premium perfection and precision.

## *Focused on solutions. Tailored to customers.*

Lamello products pay for themselves! Our products should enable our customers to work more flexibly, productively and effectively. At Lamello, we don't take things for granted, but instead set out to impress and inspire our customers on a daily basis. Our system solutions and products should not only meet but exceed our customers' expectations.

## *Convincing. Thinking ahead.*

Our pursuit of outstanding quality is the foundation of our practices and defines the services we offer our customers. You can trust our highly trained, committed employees. We offer many years of experience in high-quality joining and woodworking technology and are equipped with state-of-the-art machinery.

## *A sense of tradition. An affinity for innovation.*

In addition to state-of-the-art technology, we also provide unique solutions – such as the P-System – that continue to amaze our customers. We set innovative market trends thanks to the extensive knowledge we have gathered over the years. By continually developing our products, services and processes, we guarantee our customers the best in performance. This knowledge is complemented by a large dose of curiosity and a close relationship with our customers.

## *Uncompromising. Imaginative.*

When it comes to the development, construction and design of our products, we are uncompromising and we focus on practical solutions. The result is machinery characterized by its durable technology, sophisticated design and simple operation. Technology from Lamello gives you significant benefits in the face of global competition, maximizes your productivity and opens up new horizons for design and creativity.

## *Responsible. Firmly rooted.*

Lamello products and system solutions are proven to be designed with durability and reliability in mind. This legendary durability helps to preserve precious resources and protects the environment by reducing waste. Moreover, we are constantly improving the energy efficiency of our company and our production processes. The high environmental standards at our production site in Switzerland also ensure careful use of resources – a considerable portion of which come from sustainable management.



# P-System

*“For us, investing in the P-System from Lamello proved to be worth it.”*

*Martin Wegscheider, Managing Director, Spechtenhauser in Innsbruck, Austria*







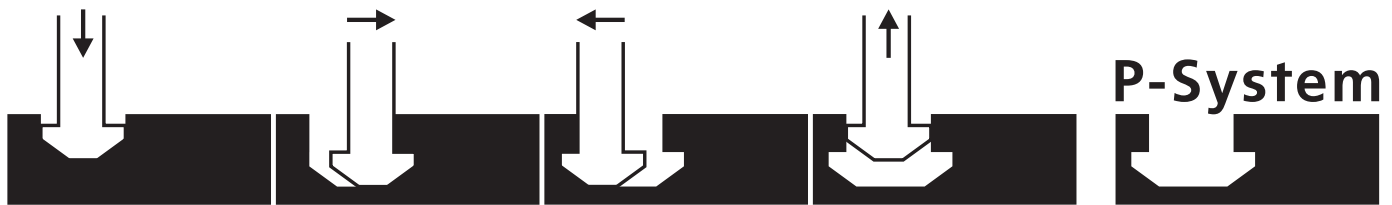


# Joining with the **P-System**





# Form-locking, tool-free installation of Lamello P-System connectors



The P-System is based on a groove with an undercut, into which connectors with various functions can be inserted, ensuring form-locking anchorage. During the process, the cutter moves downwards to the maximum depth and moves sideways in order to create the profile groove.

**There are two options for creating the P-System groove:**

## Power tool

Quick and easy to handle, with a range of applications



### Advantages of the Zeta P2

Any angle can be cut very quickly, as no set-up time, software or programming is required. The cutting depth can be adjusted in next to no time. The machine is therefore ideal for cutting individual parts, smaller production runs, prototypes or working on site.

## CNC technology

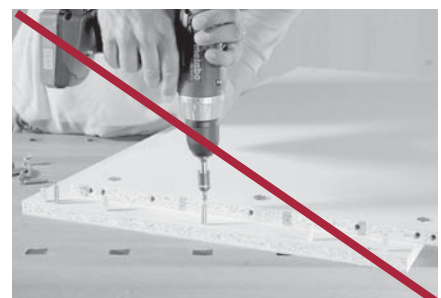
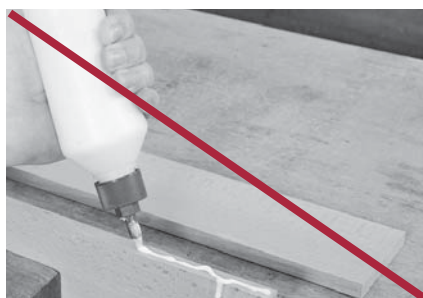
Ideal for high production



### Advantages with the CNC machine

From CAD to the CAM system, direct to the CNC machine – this makes the process faster, reduces the planning time and lowers the risk of errors for repeat orders. The speed when processing larger production runs on the CNC machine makes the P-System an extremely quick, efficient system, from processing through to assembly.

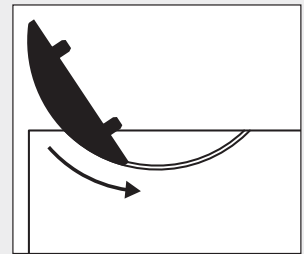
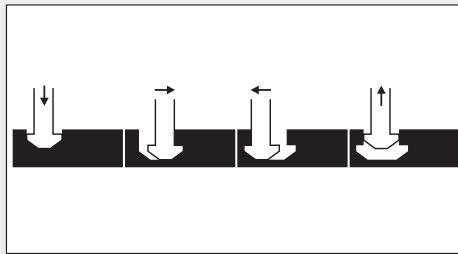
## Quick manual insertion without the need for glue or screws





# P-System

Form-locking anchorage  
without tools

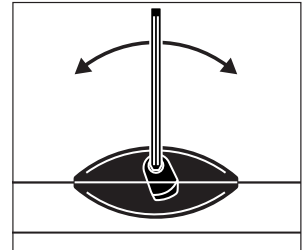
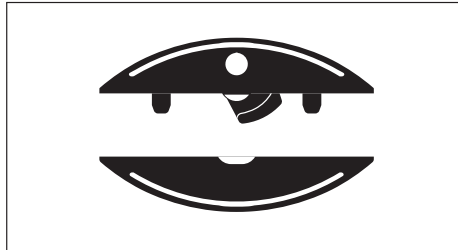


**Fast installation**

Inserting instead of screwing or  
gluing

# Clamex P

Detachable connector



**Detachable**

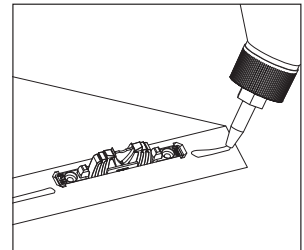
Open the connection time and  
time again with the rotating  
lever

Page 22

# Tenso P

**with preload clip**

Self-clamping connector as  
gluing aid, for all angles



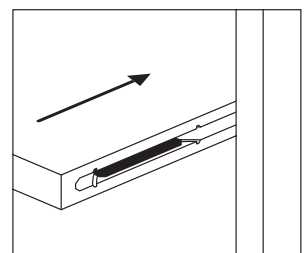
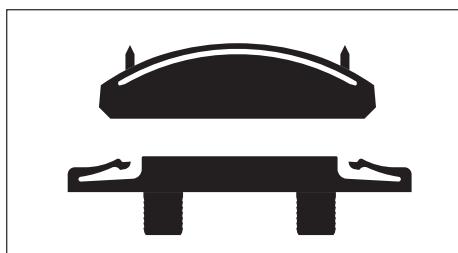
**Gluing**

Fixed joints of two workpieces

Page 28

# Divario P

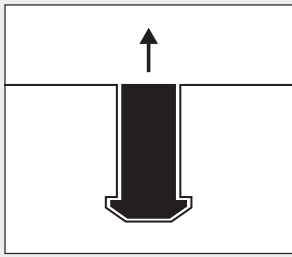
Self-clamping, invisible  
connector for slide insertion



**Sliding insertion**

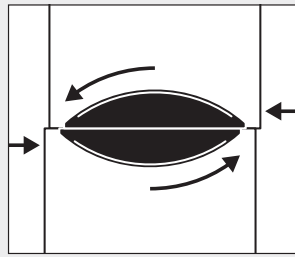
Insertion between two fixed  
sides or shelves via a guiding  
groove

Page 34



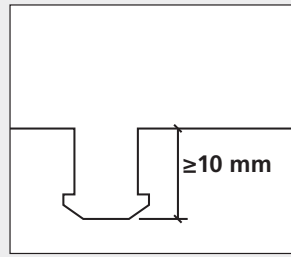
### Strong

Form-locking anchorage across large surface areas



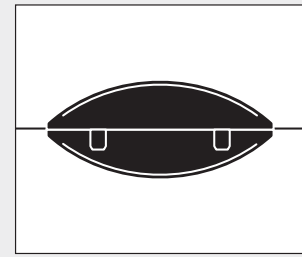
### Lateral tolerance

Perfect, flush alignment of both workpieces



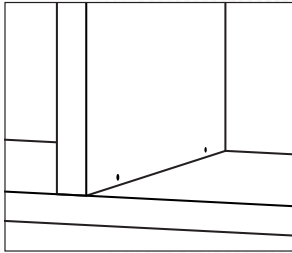
### Shallow depth

Minimal cutting depth with maximum tensile strength



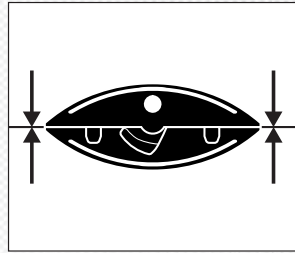
### No twisting

The positioning pins prevent twisting without additional dowels



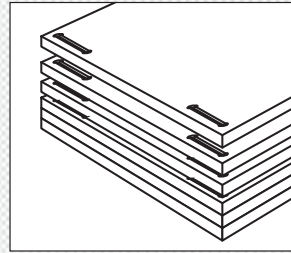
### Aesthetic

The small, hardly visible opening (Ø = 6 mm) serves to close and open the connector



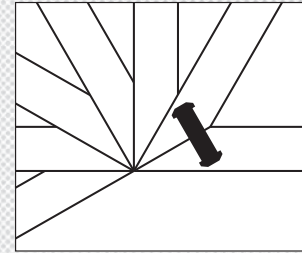
### High clamping force

Clamp and glue workpieces at any angle, ~ 80 kg or 170 lb



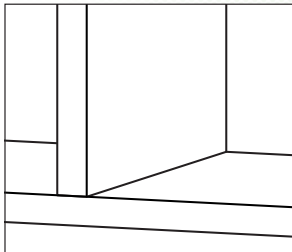
### Stackable

Workpieces with pre-installed P-System connectors are stackable for storage and transport



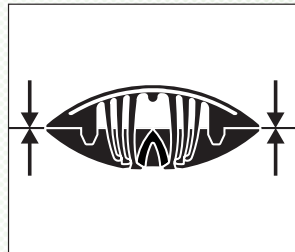
### Versatile

The shallow element depth allows for miters from 22.5 – 180°, surface, corner and dividing panel connections



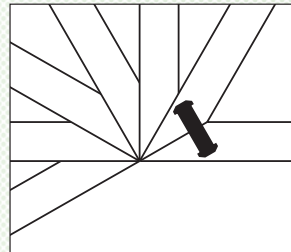
### Invisible

No visible connector



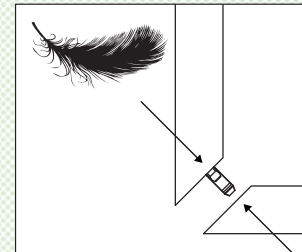
### High clamping force

Allows for perfect alignment and clamps the workpieces ~ 15 kg or 30 lb



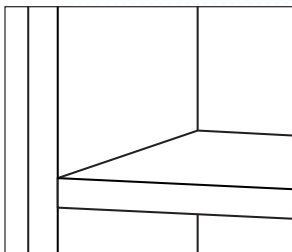
### Versatile

Simple gluing of miter joints



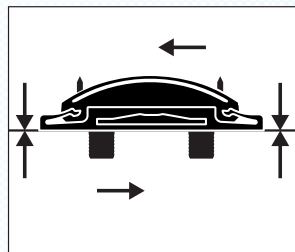
### Lower assembly force

Only a short power impulse necessary to join, regardless of the number of connectors



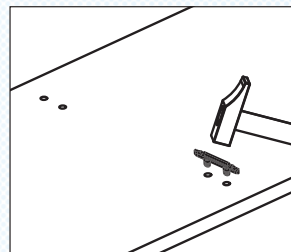
### Invisible

Guiding groove covers the connectors



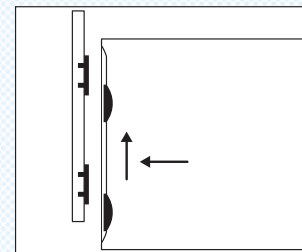
### Clamped joint

No resistance while inserting until shortly before building the clamping force



### Fast installation

Quick installation of the connectors without glue after transport

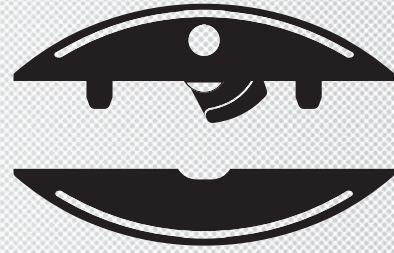


### Assemble by sliding

Partially routed guiding groove for completely invisible furniture joints

# Clamex P

Detachable connector



P-system configurator on our website

## Advantages and properties

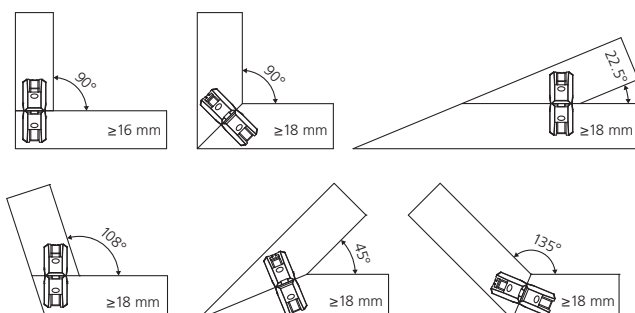
- **Small opening 6 mm**, differentiation to furniture standards
- **Stackable with pre-installed connectors**, advantages in packaging, transport and logistics
- **Short assembly time on site**, minimal installation cost

- **Versatility for all angles**, same system for all joining situations
- **Freedom of choice during assembly**, detachable or glued construction



## Clamex P-14

For panels from 16 mm



### Technical data

Size.....	64 × 27 × 9.7 mm
Cutter.....	Ø 100.4 × 7 × 22
Material of connector.....	fiberglass reinforced plastic
Material of lever.....	zinc die cast
Installation tolerance.....	longitudinal ± 1 mm

### Tensile strength

MDF	~ 900 N or 200 lb
Particle board	~ 800 N or 180 lb
Beech	~ 1000 N or 220 lb

### Clamex P-14

### Part no.

Box of 80 pairs.....	<b>145334</b>
Box of 300 pairs.....	<b>145346</b>
Box of 1000 pairs.....	<b>145356</b>

Drill jig P-System ..... **125344**

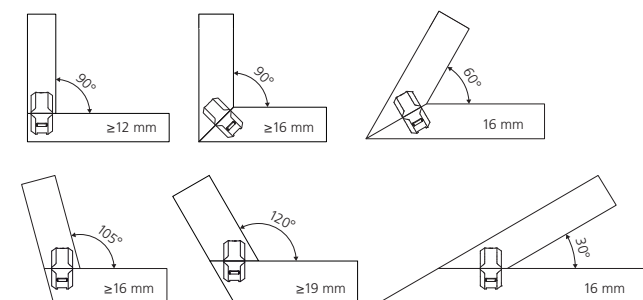


Accessories starting page 98



# Clamex P-10

For panels from 12 mm



Technical data	
Size.....	52 × 19 × 9.7 mm
Cutter.....	Ø 100.4 × 7 × 22
Material of connector.....	fiberglass reinforced plastic
Material of lever.....	zinc die cast
Installation tolerance.....	longitudinal ± 0.5 mm

Tensile strength	
MDF	~ 600 N or 130 lb
Particle board	~ 600 N or 130 lb
Beech	~ 900 N or 200 lb

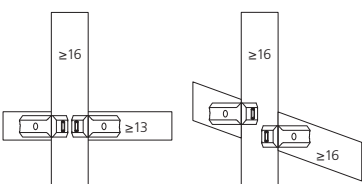
Clamex P-10	Part no.
Box of 80 pairs.....	<b>145372</b>
Box of 300 pairs.....	<b>145373</b>
Box of 1000 pairs.....	<b>145374</b>

Drill jig P-System ..... **125344**

Accessories starting page 98

# Clamex P-Medius 14/10

For center panels from 16 mm



Technical data		
Size.....	64 × 13.5 × 9.7 mm	
	52 × 7.5 × 9.7 mm	
Cutter.....	Ø 100.4 × 7 × 22	
Material of connector.....	fiberglass reinforced plastic	
Material of lever.....	zinc die cast	
Installation tolerance.....	longitudinal ± 1 mm	

	Load (19 mm)	Tensile strength
MDF	~ 700 N or 150 lb	~ 800 N or 180 lb
Particle board	~ 500 N or 110 lb	~ 600 N or 130 lb
Beech	~ 2400 N or 530 lb	~ 900 N or 200 lb

Clamex P Medius 14/10	Part no.
Box of 80 pairs.....	<b>145370</b>
Box of 300 pairs.....	<b>145371</b>
Box of 1000 pairs.....	<b>145357</b>

Drill jig P-System ..... **125344**

Accessories starting page 98

# Bisco P

Aligning element suitable for the P-System groove

## Advantages and properties

- **Ideal addition to Clamex P and Tenso P**, fits into the P-System grooves, **without requiring a different cutter**
- **Bisco P-14 is ideal for dry-assembly before gluing a joint with Tenso P-14**
- **For aligning P-System grooves**, aligning function without glue

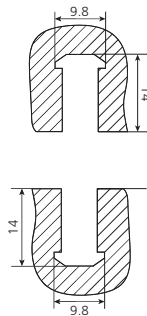
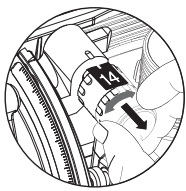
- **Surface structure allows use as a connecting element** when gluing workpieces with PVA glue

## Applications of Bisco P

- Wall panels
- Furniture with large depth
- Gluing of workpieces

## Bisco P-14

Aligning element suitable for Clamex P-14 and Tenso P-14



## Technical data

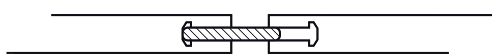
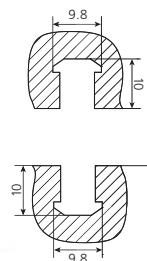
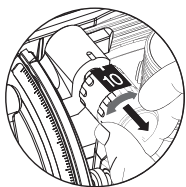
Size Bisco P-14 .....	65 × 27 × 7 mm
Size Bisco P-10 .....	52 × 19 × 7 mm
Cutter .....	Ø 100.4 × 7 × 22
Material .....	plastic
Installation tolerance .....	longitudinal ± 2 mm
Tensile strength with adhesive .....	~ 400 N or 90 lb

Bisco P-14	Part no.
Box of 80 pieces.....	145301
Box of 300 pieces.....	145302
Box of 1000 pieces.....	145303

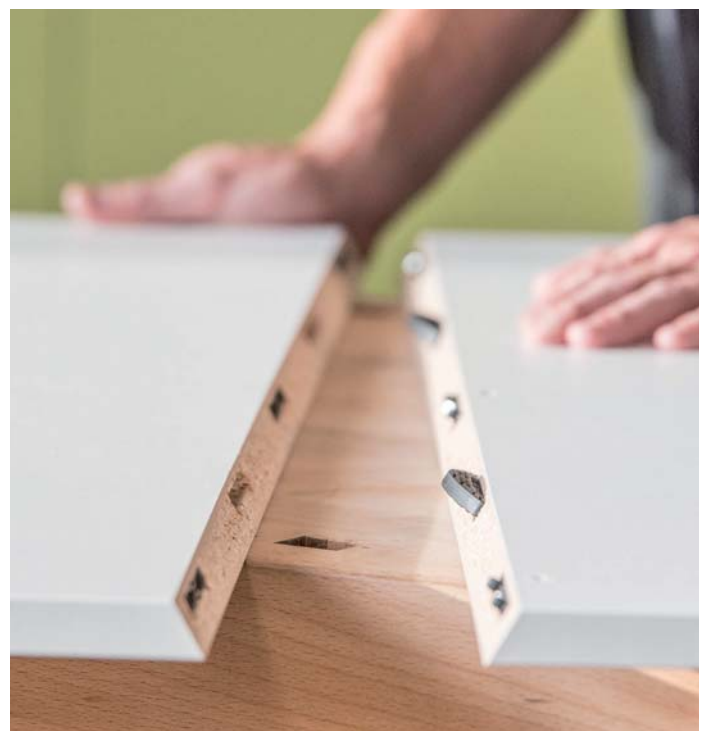
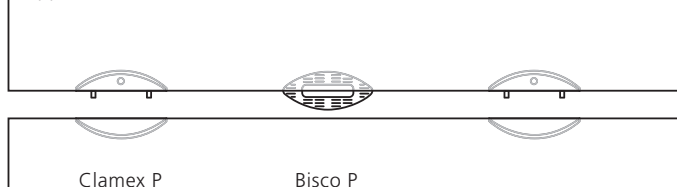
Bisco P-10	Part no.
Box of 80 pieces.....	145304
Box of 300 pieces.....	145305

## Bisco P-10

Aligning element suitable for Clamex P-10



Application:







## Furniture manufacturing / Cabinet making

Your advantages with Clamex P

### Aesthetic solution

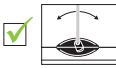


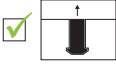


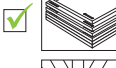



– Differentiation to furniture standards

### Stackable with pre-installed connectors

– Advantages in packaging, transport and logistics

### Short assembly time on site

– Minimal installation cost

- |   |   |
|---|---|
|  Detachable          |  Fast installation |
|  Aesthetic           |  Strong            |
|  High clamping force |  Lateral tolerance |
|  Stackable           |  Shallow cutting   |
|  Versatile           |  No twisting       |

### Applications

Cabinetry | shelves | wardrobes | trade show exhibits | kitchen furniture | TV furniture | etc.

### Production process

#### 1. P-groove with CNC

- Same profile groove for both workpieces
- Short process time
- Direct data transfer from CAD / CAM
- No additional dowels for alignment necessary

#### 2. Storage

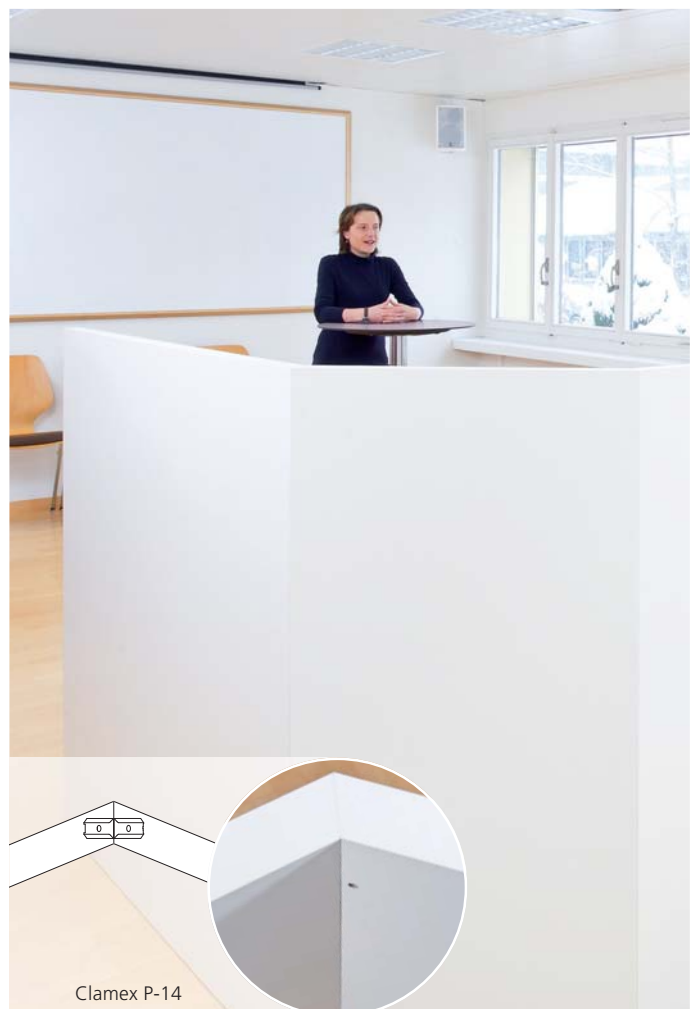
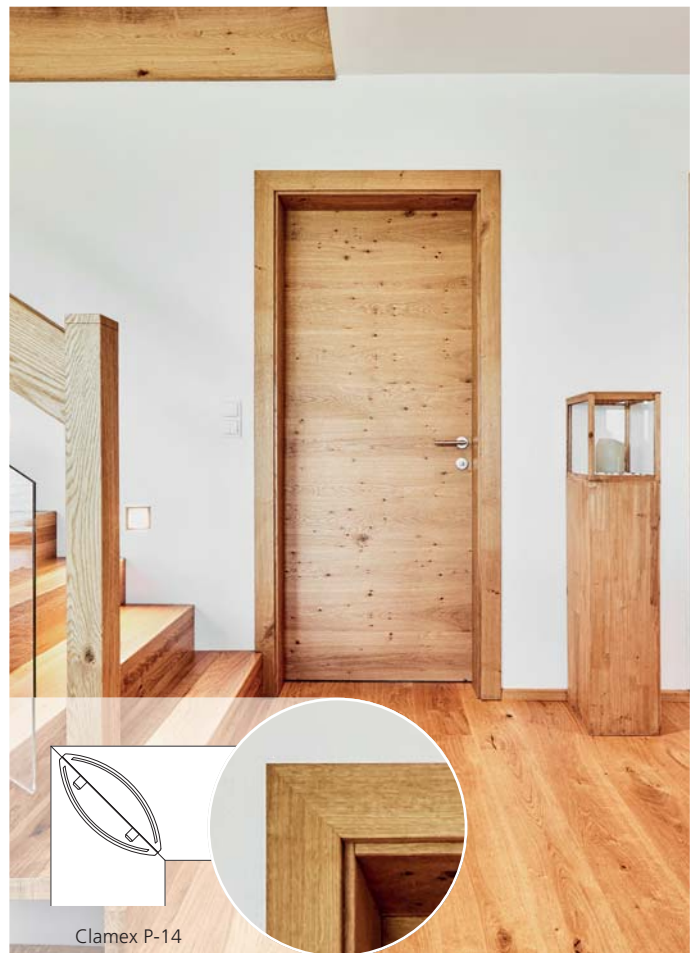
- Small storage volume when stacking despite installed connector
- Remove the connector for surface treatment – fast and easy
- Short reaction time for finishing of standard parts

#### 3. Delivery in parts

- Small transport volume with pre-installed connectors due to stackability
- Smaller stock volume for the dealer
- Easy transport of the parts into the building

#### 4. Assembly on site

- Shorter assembly time at the customer's due to the pre-installed connectors
- Easy to assemble for a lay person with an allen key
- No second person necessary
- No dowels for lining-up necessary
- Easy to take apart when moving



# Clamex P – Applications

## Furniture manufacturing / Interiors

Your advantages with Clamex P

### Aesthetic solution




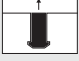


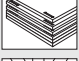
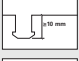


– Differentiation to furniture standards

### Stackable with pre-installed connectors

– Advantages in packaging, transport and logistics

### Short assembly time on site

– Minimal installation cost

- |   |  |
|---|--|
| <input checked="" type="checkbox"/>  Detachable          | <input checked="" type="checkbox"/>  Fast installation                    |
| <input checked="" type="checkbox"/>  Aesthetic           | <input checked="" type="checkbox"/>  Strong and form-locking              |
| <input checked="" type="checkbox"/>  High clamping force | <input checked="" type="checkbox"/>  Lateral tolerance in P-System groove |
| <input checked="" type="checkbox"/>  Stackable           | <input checked="" type="checkbox"/>  Shallow cutting depth                |
| <input checked="" type="checkbox"/>  Versatile           | <input checked="" type="checkbox"/>  No twisting                          |

### Applications

sideboards | shelves | wardrobes | display cases |  
kitchen furniture | TV furniture | etc.



© Domino Möbel AG

## Store fixture / Kitchen manufacturing

Your advantages with Clamex P

### Stackable with pre-installed connectors

– Advantages in packaging, transport and logistics

### Versatility for all angles




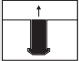



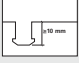


– Same system for all joining situations

### Freedom of choice during assembly

– Detachable or glued construction

### Short assembly time on site

– Minimal installation cost

- |   |  |
|---|--|
| <input checked="" type="checkbox"/>  Detachable          | <input checked="" type="checkbox"/>  Fast installation                    |
| <input checked="" type="checkbox"/>  Aesthetic           | <input checked="" type="checkbox"/>  Strong and form-locking              |
| <input checked="" type="checkbox"/>  High clamping force | <input checked="" type="checkbox"/>  Lateral tolerance in P-System groove |
| <input checked="" type="checkbox"/>  Stackable           | <input checked="" type="checkbox"/>  Shallow cutting depth                |
| <input checked="" type="checkbox"/>  Versatile           | <input checked="" type="checkbox"/>  No twisting                          |

### Applications

wall elements | furniture | trade show exhibits |  
changing rooms | stools | etc.





Clamex P-14



Clamex P-14



Clamex P Medius 14/10



Clamex P-14

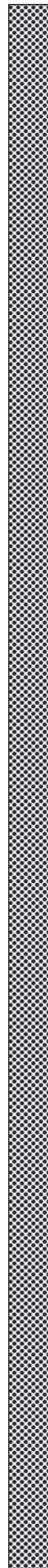


Clamex P-14



Clamex P Medius 14/10

Clamex P-14





# Tenso P

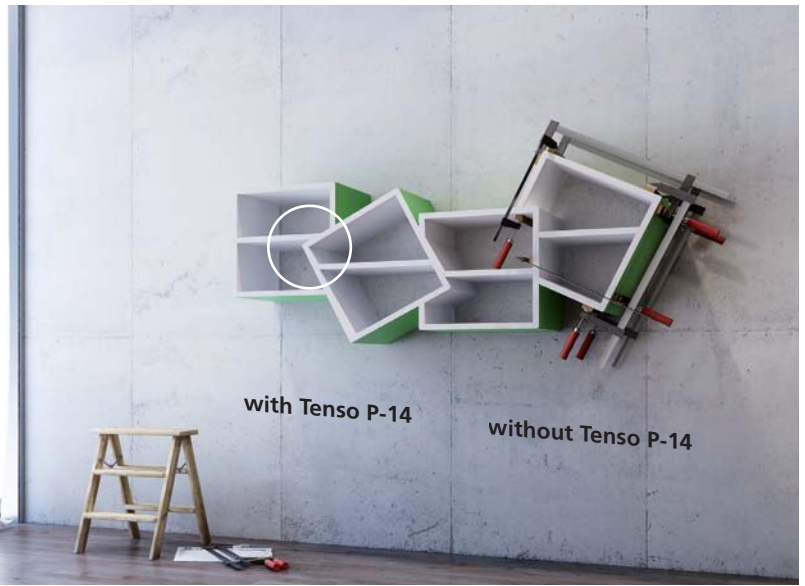
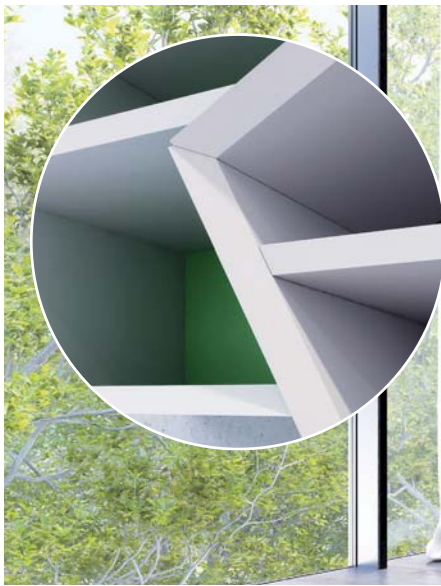
Self-clamping connectors for gluing



P-system configurator on our website

## Tenso P, advantages and properties

- **Glue faster**, wipe off excess glue and it's ready
- **High clamping force**, without clamps or presses
- **Perfect aesthetics**, completely invisible
- **Versatile**, simple gluing at various angles
- **Tool-free connector installation**, quick and easy without screws or adhesive
- **Effortless connection** of large workpieces on site

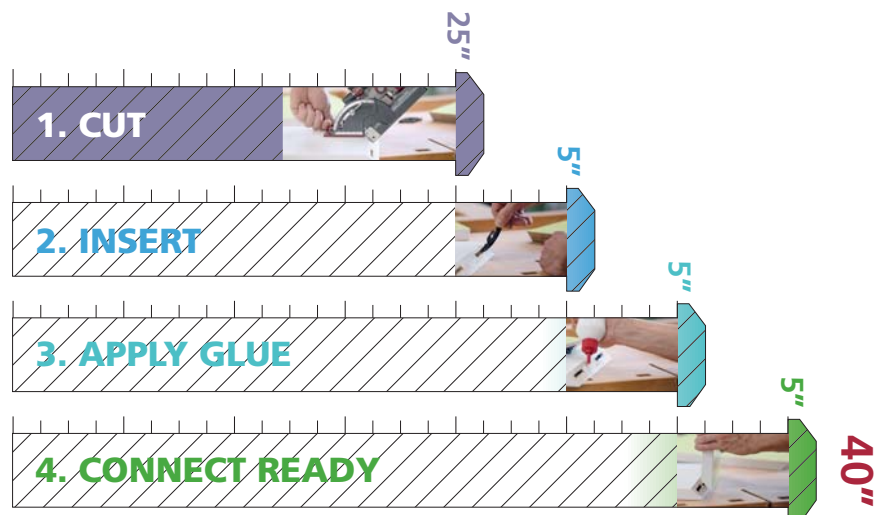


Tenso P is a self-clamping connector with **three functions: alignment, clamping and connecting**

The Tenso P has an exceptionally high clamping force, which enables workpieces to be glued without clamps or presses.

Based on the P-System profile groove, the Tenso P ensures firm anchorage in the workpiece in seconds without tools

## Tenso P glued in **40"**





## Use without preload clip

The Tenso is ideal without preload clip for smaller items of furniture when only one or two connectors are used. Smaller workpieces and 90° connections in particular are easily glued without the preload clip.



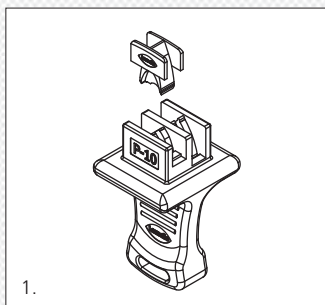
## Use with preload clip



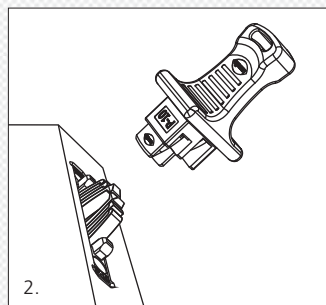
The Tenso with preload clip is ideal for larger elements where several connectors are connected simultaneously as well as for mitres.

### Advantages with the preload clip:

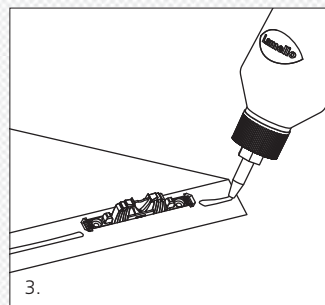
- Greater sliding tolerance during assembly
- Less effort during connection
- Effortless connection with several connectors



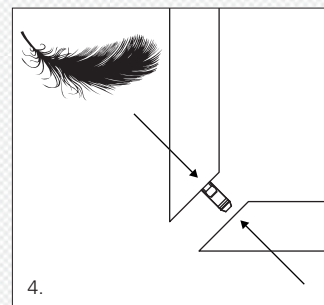
1. Place preload clip on the insertion tool



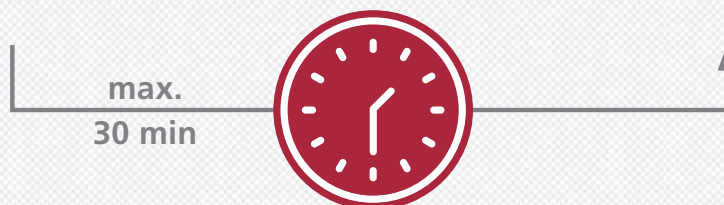
2. Preload the Tenso P-14



3. Apply glue



4. Join workpieces



### Note:



Dry assembly is possible with Bisco P



Additional adhesive in the connector increases the tensile strength by 30%



The adhesive must be suitable for the workpieces and their specific applications

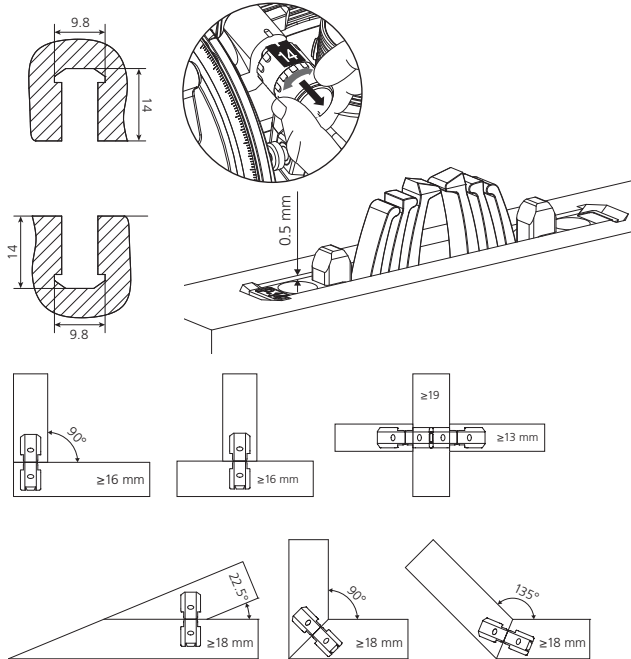
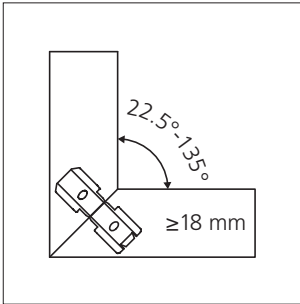


# Tenso P-14

Faster gluing at all angles

The Tenso P-14 is a self-clamping connector with a cutting depth of 14 mm for:

- 45° mitres from a panel thickness of 18 mm
- 90° connections for a panel thickness from 15 mm
- Centre panel connections from a panel thickness of 19 mm



### Technical data

Size ..... 66 × 27 × 9.7 mm  
 Cutter ..... Ø 100.4 × 7 × 22  
 Material ..... fiberglass reinforced plastic  
 Installation tolerance ..... longitudinal ± 1 mm

### Clamping force (N)

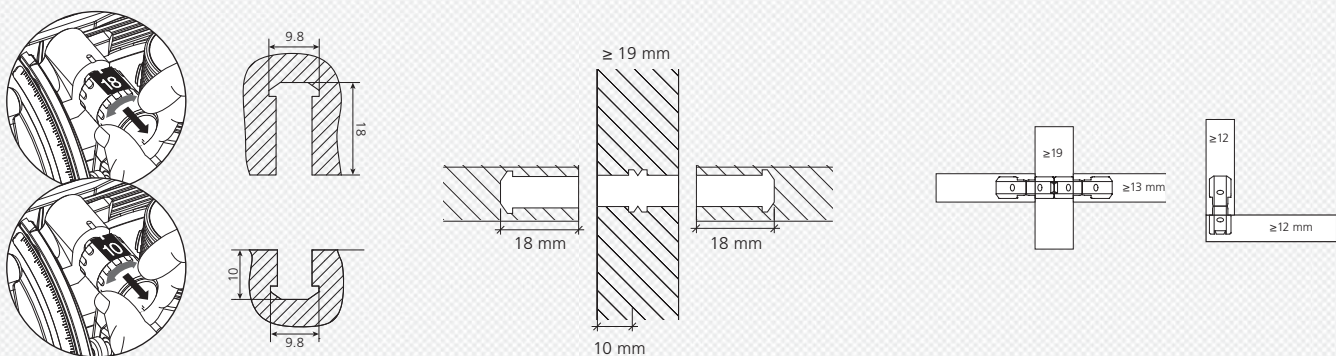
per connector ..... ~ 150 or 30 lb  
 The tensile or shear strength depends on the adhesive

Tenso P-14	Part no.
Box of 80 pairs (without preload clip) .....	<b>145415</b>
Box of 300 pairs (without preload clip) .....	<b>145425</b>
Box of 1000 pairs (without preload clip) .....	<b>145435</b>
Starter-Set – box of 80 pairs (with preload clip) .....	<b>145415S</b>
Starter-Set – box of 300 pairs (with preload clip) .....	<b>145425S</b>
Preload clip – box of 300 pieces .....	<b>145426</b>
Preload clip – box of 1000 pieces .....	<b>145436</b>

### Important:

The aligning element Bisco P-14 is ideal to dry-assemble the joints before gluing  
 Accessories starting page 98

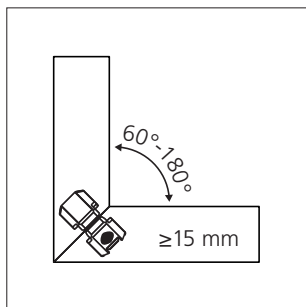
## Offset installation with Tenso P-14





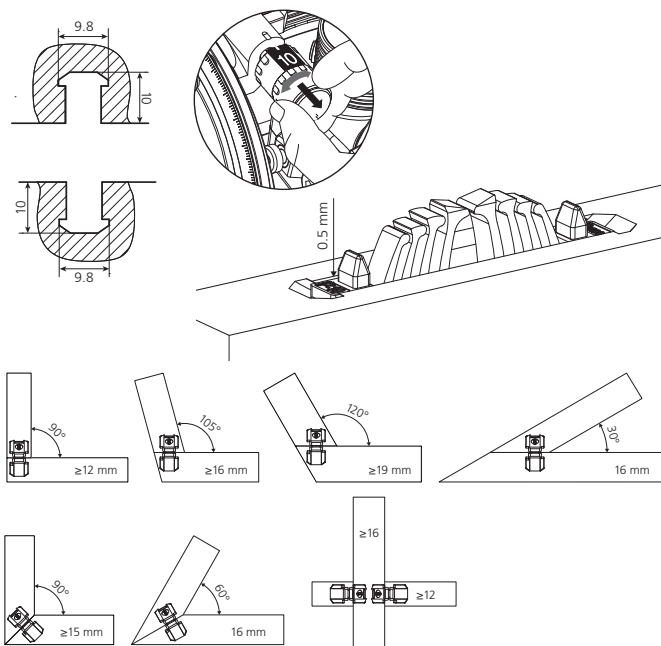
# Tenso P-10

Self-clamping connector for gluing thin materials from a thickness of 12 mm



The Tenso P-10 is a self-clamping connector with a cutting depth of 10 mm for:

- 45° mitres from a panel thickness of 15 mm
- 90° connections from a panel thickness of 12 mm
- Centre panel connections from a panel thickness of 16 mm



### Technical data

Size.....	52 × 27 × 9.7 mm
Cutter.....	Ø 100.4 × 7 × 22
Material.....	fiberglass reinforced plastic
Installation tolerance.....	longitudinal ± 1 mm

### Clamping force (N)

per connector ..... ~ 100 or 20 lb  
 The tensile or shear strength depends on the adhesive

### Tenso P-10

### Part no.

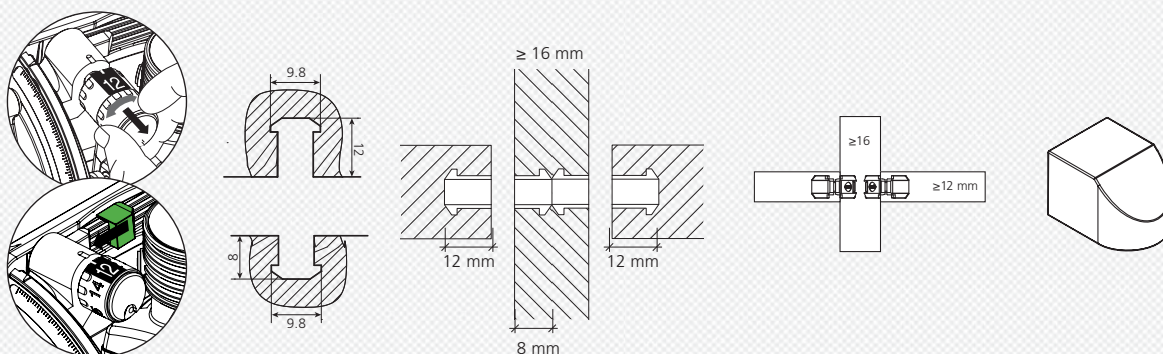
Box of 80 pairs (with preload clip).....	<b>145418</b>
Box of 300 pairs (with preload clip).....	<b>145428</b>
Box of 1000 pairs (with preload clip).....	<b>145438</b>

### Important:

The aligning element Bisco P-10 is ideal to dry-assemble the joints before gluing

Accessories starting page 98

## Offset installation with Tenso P-10



**Part no. 145439**  
 P-System 4 mm depth adjuster attachment for P-8

# Tenso P – Applications

## Furniture manufacturing / Interiors

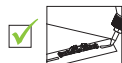









Your advantages with Tenso P

### Fast gluing process

- Time saving without clamps and protectors
- Ship workpieces immediately after assembly, no waiting time for the glue to dry

### Clamps the joint from the inside

- Clamping force perfectly perpendicular to the glue surface
- Gluing of shaped workpieces
- Simultaneously aligns and clamps

- |  |   |
|--|---|
|  Gluing               |  Fast installation |
|  Invisible            |  Strong            |
|  High clamping force  |  Lateral tolerance |
|  Versatile            |  Shallow cutting   |
|  Lower assembly force |  No twisting       |

### Applications

furniture | shelves | stools | sideboards | wardrobes | wall panels | cladding | decorative strips | covering panels | plinths | face frames etc.

### Production process

#### 1. Cutting the groove with Zeta P2

- Quick, easy and precise work with the well-known Lamello system
- Quick, easy and precise work with the well-known Lamello system

#### 2. Temporary storage

- Small volume due to stackability with pre-installed connectors
- Remove connectors without tools for the surface treatment

#### 3. Assembly in the factory

- Quick and efficient gluing
- No additional clamping device necessary
- No pressure marks and damage due to protectors or clamps on the workpiece
- Excess glue is removed with ease right after assembly
- Furniture is automatically in the correct angle
- No additional person helping with applying the clamps

#### 4. Delivery: product already assembled

- Short assembly time on site with pre-assembled elements / furniture parts







# Store fixtures

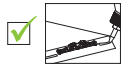


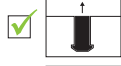






Your advantages with Tenso P

### Stackable with pre-installed connectors

– Advantages in packaging, transport and logistics

### Short assembly time on-site

– Quick and easy gluing without additional aids  
– Minimal installation cost

- |  |   |
|--|---|
|  Gluing               |  Fast installation |
|  Invisible            |  Strong            |
|  High clamping force  |  Lateral tolerance |
|  Versatile            |  Shallow cutting   |
|  Lower assembly force |  No twisting       |

## Applications

furniture | shelves | stools | sideboards | wardrobes | show cases | sales counters | wall panels | cladding | face frames etc.

## Production process

### 1. Cutting the groove with CNC

– Same profile groove for both workpieces  
– Direct data transfer from CAD / CAM

### 2. Temporary storage

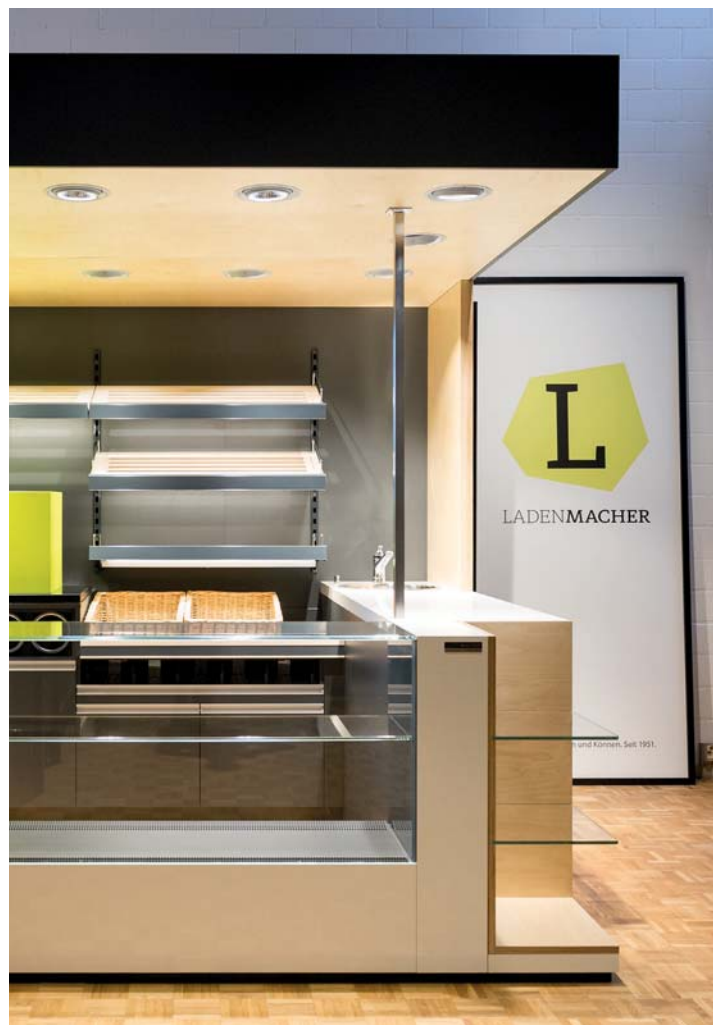
– Small volume with pre-installed connectors due to stackability  
– Remove connectors without tools for the surface treatment

### 3. Delivery: product in parts

– Small transport volume (flat pack)  
– Easier transport of the workpieces to the job site  
– Reduced amount of assembly aids without the need of clamps and protectors

### 4. Assembly on site

– Quick and efficient assembly on site  
– No waiting time before the clamps are removed  
– No transporting clamps and protectors to and from the job site  
– Customer-friendly, quick and clean installation



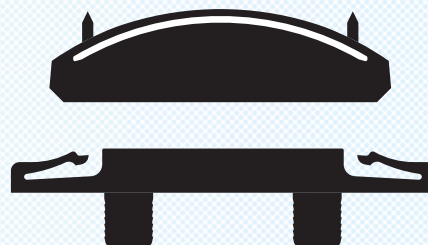
Best of the best  
2013

# Divario P

Self-clamping, invisible connector for slide insertion



P-system configurator on our website



## Advantages and properties

- **Completely invisible joint** for highest quality standards
- **Joins and clamps** during insertion for perfectly closed joints
- **Efficient machining and installation** with a CNC or a Zeta based on the P-System

- Narrow element for the use in **shelves from 18 mm**
- No resistance while inserting until shortly before building the clamping force
- **Insertion of shelves** after transport for lower transport weight



# Divario P-18

Self-clamping, invisible connector for slide insertion

## Technical data

Element with P-System groove .... 65 × 16 × 9.7 mm  
 Element with drill holes ..... Ø8 × 9 mm, distance 32 mm  
 Cutter ..... Ø100.4 × 7 × 22  
 Material ..... fiberglass reinforced plastic  
 Installation tolerance ..... longitudinal ± 1 mm

## Load per connector (N)

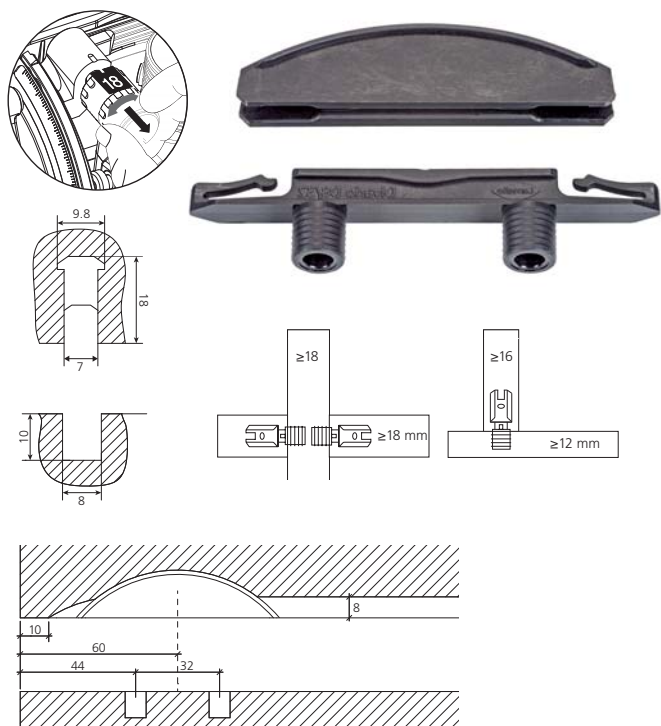
	19 mm	22 mm	25 mm	30 mm
Particle board	500	600	700	1000
MDF	600	700	800	1000
Spruce	800	900	1300	1400
Beech	1700	2000	2000	2000

## Tensile strength (N)

all materials 600

## Divario P-18

	Part no.
<b>Starter-Set</b> 80 pairs incl. Installation tool .....	<b>145550S</b>
<b>Starter-Set</b> 80 pairs in Systainer Size I, incl. installation tool and marking jig in metal .....	<b>145551</b>
Box of 80 pairs .....	<b>145550</b>
Box of 300 pairs .....	<b>145560</b>
Box of 1000 pairs .....	<b>145570</b>
Divario P-18 installation tool required for installation .....	<b>125500</b>





## Furniture manufacturing / Interiors

Your advantages with Divario P-18

### Efficient installation

- Connector to insert by hand or install by hammer
- Fixing pins to drive into the wood for efficient installation
- Drilling into the surface possible with a CNC machine without angle aggregates (e.g. nesting machines)
- Possible in the factory or on site with a CNC or a Zeta P2

### Clamped joints

- Joint with high tensile strength
- Reinforcing tall cupboards with fixed shelves
- perfect look with closed joints
- No clamps or presses necessary

### Sliding insertion in a second process

- The outer cabinet can be joined in a first process
- Transport of the empty cabinet to save weight
- Assembly of the complete furniture piece on site possible (flat pack)
- Insertion of the shelves without glue or clamping aids
- Detachable for transport



- |  |                     |  |                   |
|--|---------------------|--|-------------------|
|  | Sliding insertion   |  | Fast installation |
|  | Invisible           |  | Strong            |
|  | Clamped joint       |  | Lateral tolerance |
|  | Fast installation   |  | Shallow cutting   |
|  | Assemble by sliding |  | No twisting       |

## Applications

Cabinets, shelves, open room dividers, wine racks, side boards, cupboards, separating walls, showcases, hanging elements etc.



Best of the best

2015

CWKELLER + ASSOCIATES



# Joining with the **P-System Zeta P2**



# Zeta P2

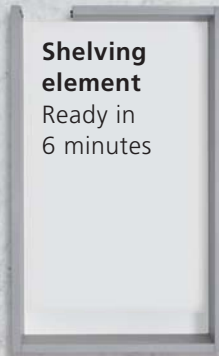
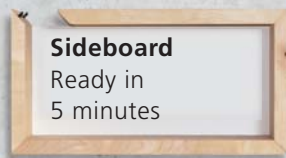
The machine for the evolving P-System, saving you time daily! Differentiate your products from the standard!



More information on our website



## Make more with your time!



## Fastest joining system with a power tool

Connection is complete within seconds, without waiting time, clamps, or secondary processes

### Connected in seconds with Clamex – detachable



1. Cut

2. Drill

3. Insert

4. Connect – finished!

Time for one connector pair	
1. Cut	25
2. Drill	15
3. Insert	5
4. Connect – finished!	5
<b>Ready in</b>	<b>50 s</b>

### Connected in seconds with Tenso – glued



1. Cut

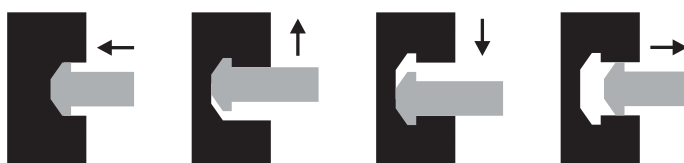
2. Insert

3. Apply glue

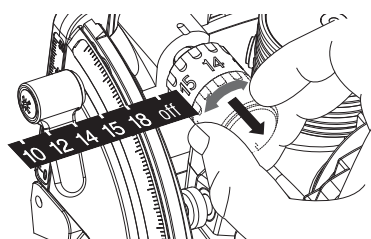
4. Connect – finished!

Time for one connector pair	
1. Cut	25
2. Insert	5
3. Apply glue	5
4. Connect – finished!	5
<b>Ready in</b>	<b>40 s</b>

# Zeta P2 – versatile and fast



Vertical mechanical drive (VMD)



## Advantages and properties

- Zeta P2, the power tool **for fast, form-locking anchorage of all P-System connectors** for wood joints
- The **automatic vertical movement** creates a profile groove enabling manual insertion of the connectors
- **Time saving when installing connectors** due to the innovative profile groove concept. Insertion of the connectors by hand, without using glue or screws, greatly reduces labor time while also negating the need for additional fastening materials

## Profile groove function

The vertical mechanical drive is the core of the machine

- **Fast ~ 1 second**
- **User-friendly** with automatic operation of the cutting process
- **Switch off the VMD** to use the machine as a standard biscuit joiner for many more applications (see page 50)

- **Depth 18** for Divario P-18
- **Depth 14** for Tenso P-14, Clamex P-14 and Clamex P Medius (larger side), Bisco P-14
- **Depth 10** for Clamex P-10 and Clamex P Medius (smaller side), Bisco P-10
- **Depth «off»** for groove millings without profile groove = for standard biscuit joiner

## Zeta P2-Set

## Part no.

with carbide tipped profile groove cutter in Systainer...	<b>101402S</b>
cutter supplied .....	<b>132141</b>
with diamond tipped profile groove cutter in Systainer..	<b>101402DS</b>
cutter supplied .....	<b>132140</b>

## Technical data

Power / Voltage.....	1050 W / 230 V
	800 W / 120 V
Speed .....	9'000 min <sup>-1</sup>
P-System Cutter .....	Carbide tipped / Diamond tipped
	Ø 100 × 7 × 22 mm
Teeth .....	Z3
Cutting depth max.....	20 mm
Weight.....	3.7 kg

## Kit contains

- |                           |                                  |
|---------------------------|----------------------------------|
| – Zeta P2                 | – Disc for angles                |
| – P-System cutter 7 mm    | – Spacer 2 + 4 mm                |
| – Stop square             | – Tools                          |
| – Suction stub 23 + 36 mm | – P-System drill jig incl. drill |

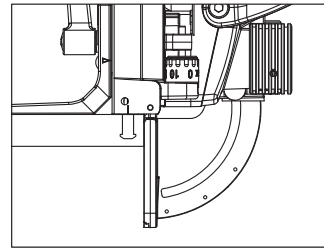
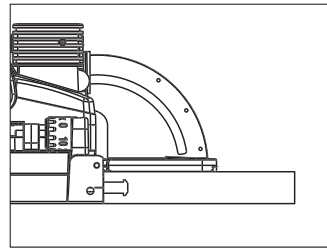
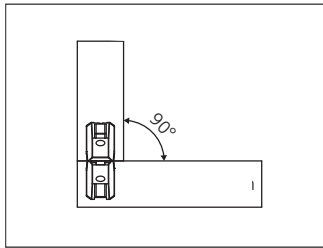


Accessories starting page 98



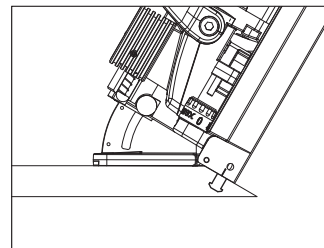
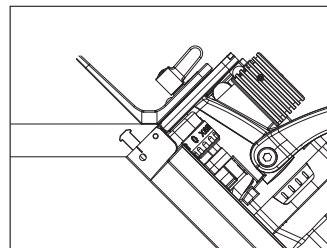
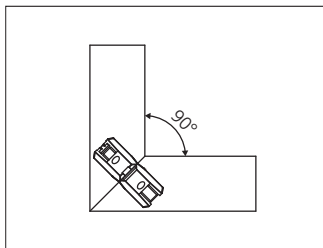
With the Zeta P2, you can quickly and easily connect parts with a range of angles and joining situations. Suitable for individual pieces of furniture as well as prototypes and line production.

### 90° corner or dividing panel connection



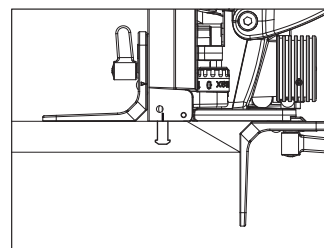
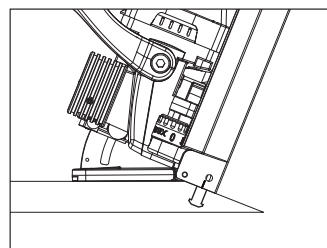
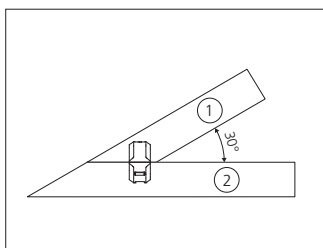
Swivel down the front and apply on the outer sides of the workpieces when cutting. The two workpieces will then fit perfectly together, even when the material thicknesses are different.

### Miter connection 45° – 180°



For 45° or 22.5° angles, slide the stop square onto the front and place it on the outer side of the workpiece. For all other angles, swivel the front stop forward and make the cut applying on the inner side.

### Obtuse miter connection, 22.5° – 120°



Swivel the front stop to the correct angle and place the machine on the inner side. Copy the center position of the cut onto the other workpiece, slide the stop square onto the front and cut

## Working with center marking



1. Cut and mark the center of the cut



2. Copy the center to the second workpiece



3. Align the Zeta P2 with the marking



4. Produce connections at all angles



# Joining with the **P-System** **CNC technology**

---



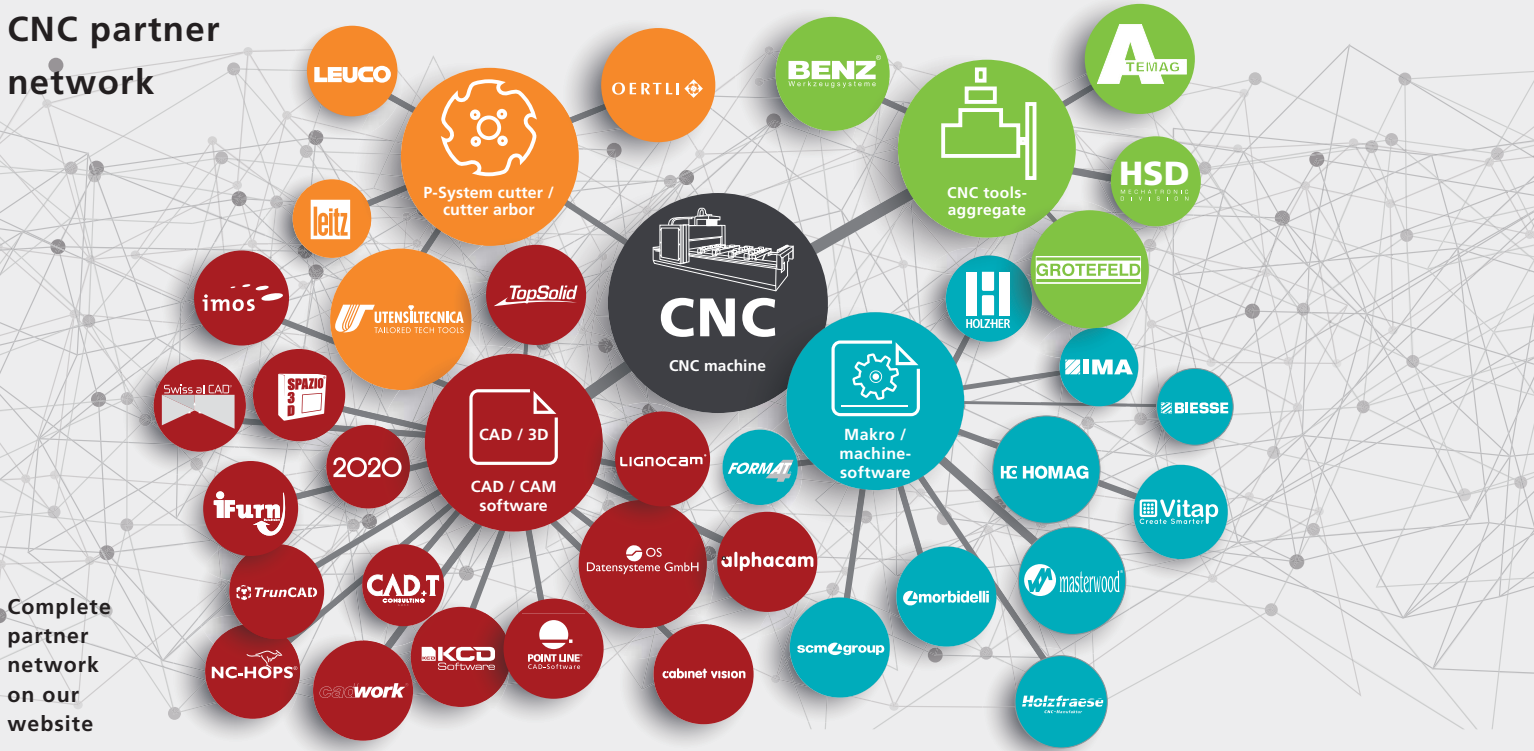




# CNC partners

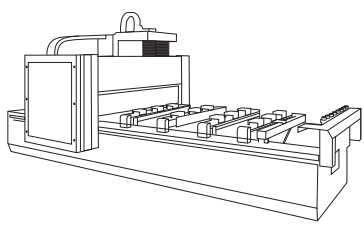
Design and production software, aggregates, cutting tools and CNC machining – these companies assist you with the efficient manufacturing with the P-System:

## CNC partner network

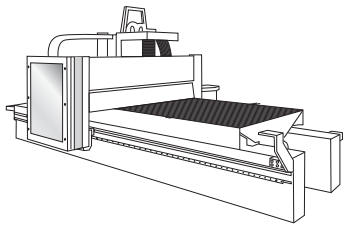


Complete partner network on our website

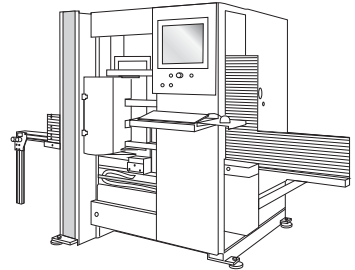
## Installation options with CNC



CNC machines with pod and rails



CNC machines with nesting technology



Vertical CNC machines

CNC machines with optional equipment for particularly efficient processing using the Lamello P-System



**HE HOMAG**  
DRILLTEQ 500



**HOLZHER**  
Evolution 7405



**BIESSÉ**  
Brema Eko 2.2



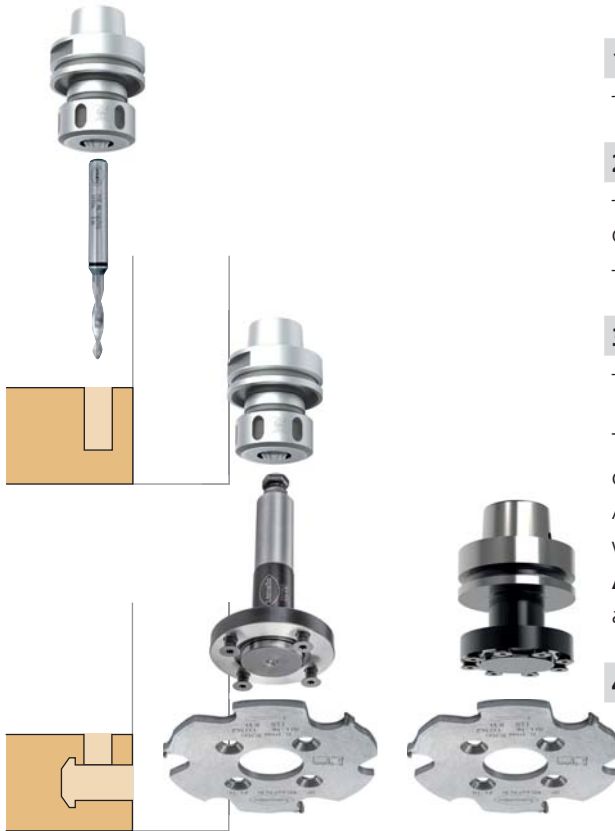
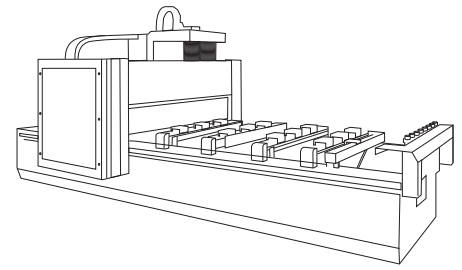
**masterwood**  
Project TF 100



**HOLZHER**  
Nextec 7707

# CNC machines

What setup do I need if I want to create P-System grooves with my CNC machine?



## 1. CNC machine

– Machine with 3/4/5 axes + angle aggregate

## 2. CNC software

– Purchase software/macro/component from the manufacturer or  
– Program the macro yourself

## 3. Suitable angle aggregate

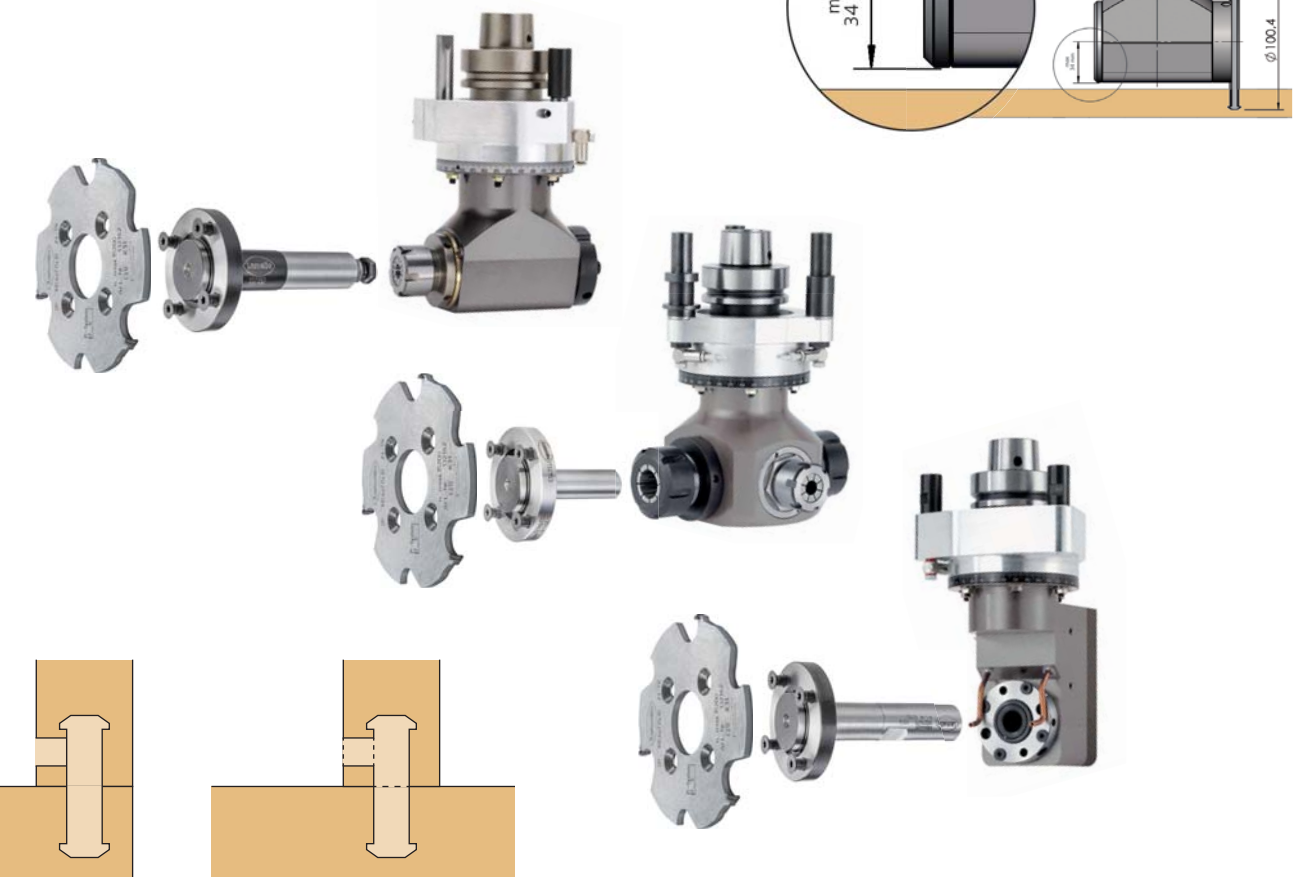
– Aggregate sub program

The angle aggregate also enables the P-System groove to be cut in the center of the surface

An overview of other aggregates is available on our website: [www.lamello.com](http://www.lamello.com)

**Attention:** Get the approval to use the P-System cutter on the aggregate from the CNC manufacturer

## 4. P-System cutting tool





<b>P-System CNC drill bit</b>	<b>Part no.</b>
6 mm, solid carbide, for miters, L = 100 / 35 mm, shaft = 10 .....	<b>131556</b>



<b>P-System CNC groove cutter, Ø 100.4 × 7</b>	<b>Part no.</b>
× 30 mm, 4 / 6.6 / DTK 48 mm, Z3, suitable for all cutter arbors listed below .....	<b>132142</b>
× 30 mm, 4 / 6.6 / DTK 48 mm, Z6, suitable for all cutter arbors listed below .....	<b>132145</b>
× 40 mm, 4 / 5.5 / DTK 52 mm, Z3 .....	<b>132143</b>
E.g. for angle aggregates, Flex 5, Flex 5+	
× 16 mm, 4 / 5.5 / DTK 28 mm, Z3 .....	<b>132144</b>
E.g. for corner notching aggregate	
× 35 mm, 4 / 5.5 / DTK 50 mm, Z3 .....	<b>132148</b>
e.g. for Brema Eko 2.1 and for Masterwood Project TF 100	



<b>P-System CNC cutter arbors 30 / DTK 48 mm</b>	<b>Part no.</b>
Shaft Ø 20 × 50, L = 102 mm .....	<b>132150</b>
Shaft Ø 25 × 60, L = 102 mm .....	<b>132151</b>
Shaft Ø 16 × 50, L = 85 mm .....	<b>132152</b>
Shaft Ø 16 × 55, L = 68 mm .....	<b>132153</b>
Shaft Ø 16 × 50, L = 85 mm, with clamping surface (2°- angle) .....	<b>132154</b>
E.g. for aggregate for door locks	
Shaft Ø 20 × 50, L = 85 mm, with clamping surface (2°- angle) .....	<b>132155</b>
E.g. for aggregate for door locks	
M6 × 16 mm Torx countersunk bolt, 4 pcs, suitable for cutter arbors .....	<b>132159</b>
Screwdriver with cross-grip, Torx T20 × 100 .....	<b>271919</b>



<b>P-System CNC shaft tool cutter</b>	<b>Part no.</b>
Solid carbide, shaft Ø 12 × 40, L = 80 mm .....	<b>131342</b>
Only for machining panel centers with 5 axis CNC machines	



<b>Positioning pins for Zeta P2</b>	<b>Part no.</b>
Ø 5 mm, 1 pairs .....	<b>251048</b>
Ø 8 mm, 1 pairs .....	<b>251066</b>
For positioning in holes with a diameter of Ø 5 mm or 8 mm	



<b>Positioning clip for Zeta P</b>	<b>Part no.</b>
Ø 6 mm .....	<b>251067</b>
For positioning in the Clamex access hole (6 mm)	

# Requirements for CNC machines:

- Either the macro and component software for the desired angle are provided or you have programmed these yourself
- Aggregate sub program is available

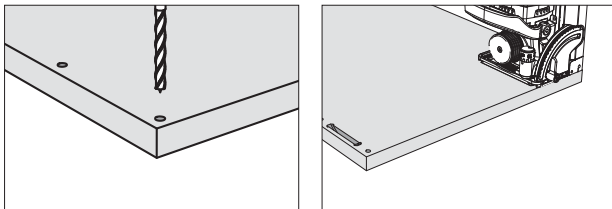
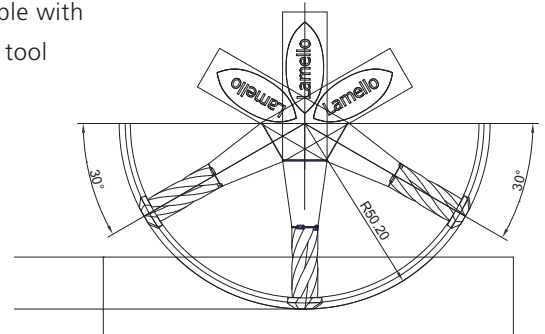
Machines	Axes	Equipment (Varies depending on machine and aggregate)  CNC tools on page 41		Surface 180°	Corner 90°	Center wall 90°	Miter 22.5° – 180°	
Portal	3/4		—	1 x P-System cutter 1 x cutter arbor 1 x drill Ø 6 mm	●	●	●	●
				2 x P-System cutter (2) x cutter arbor 1 x drill Ø 6 mm	●	●	●	●
				1 x P-System cutter 1 x cutter arbor 1 x P-System drill Ø 6 mm	●	●	●	●
	4			1 x P-System cutter + adaptor 1 x P-System drill Ø 6 mm + adaptor	●	●	●	●
	5		—	1 x P-System cutter 1 x cutter arbor 1 x P-System drill Ø 6 mm	●	●	● ● ●	●
				2 x P-System cutter (2) x P-System cutter arbor 1 x P-System drill Ø 6 mm	●	●	●	●
Nesting	3/4	—	—	1 x drill Ø 5 mm 1 x drill Ø 6 mm	●	●	●	●
	5		—	1 x P-System cutter 1 x cutter arbor 1 x P-System drill Ø 6 mm	●	●	● ●	●

● Possible

● Only possible with Zeta P2 and positioning pins

● Possible with shaft tool

**Tip:** Instead of using an angle aggregate, the Zeta P2 power tool can be used to cut the P-System groove in the center of the surface. To do so, drill two 5 mm positioning holes spaced on-center at 101 mm in the workpiece surface using the CNC machine. These are required to align the Zeta P2 on the workpiece.



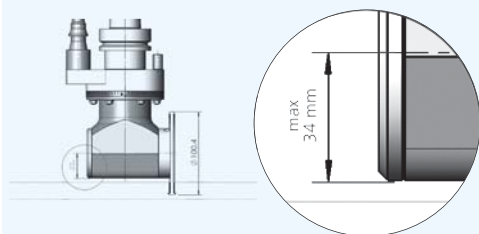
● Not possible

More on page 46

Please see our website for more information

## Aggregates

### A) Angle aggregate

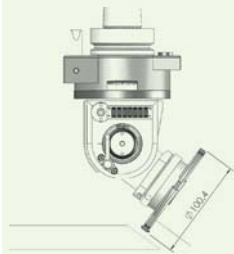


#### Possible angle aggregates

- One to four spindle angle aggregates
- Corner notching aggregate
- Aggregate for door locks

An aggregate overview can be found on the Lamello website: [www.lamello.com](http://www.lamello.com)

### B) Manually adjustable swivelling aggregates



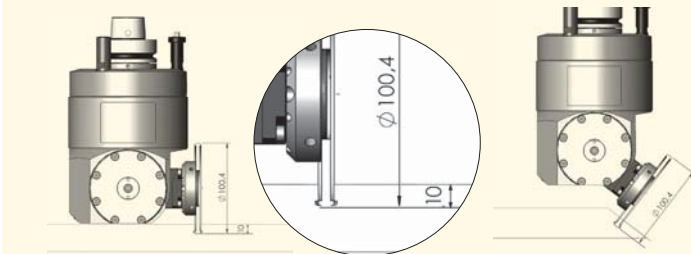
**Information:** The use of several aggregates is required. Several tool changes required for angle cuts, drilling and P-System grooves

**Information:** The cutting depth in the center of the

surface may be restricted depending on the model

**Tip:** For miters, spare yourself a tool change and drill the hole using a manual drill jig!

### C) Automatically adjustable swivelling aggregates (Flex 5 + C, from manufacturing year 2015)



**Note:** Automatically adjustable swivelling aggregate with automatic tool changer. The profile groove is restricted to 10 mm in the center of the surface

## Advantages in the production process

### 1. P-System groove with CNC

- Same profile groove for both workpieces
- Short process time
- Less processing than for other connection methods
- Direct data transfer from CAD / CAM



### 2. Storage

- Small storage volume due to stacking despite installed connector
- Shorter reaction time for the continuation of the next process



### 3. Delivery: in parts

- Smaller transport volume without damaging the parts
- Easy transport of the parts into the building (stairs, elevator)



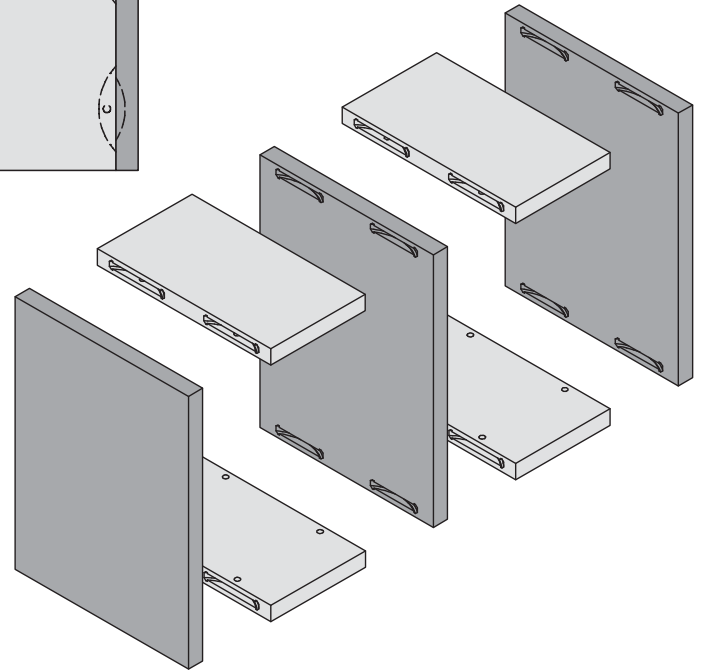
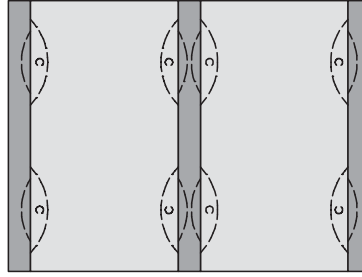
### 4. Assembly on site

1. Easy assembly by customer possible
  2. Assembly by sales staff or installer
- Shorter assembly time on site

# Ideas for standardizing the machining on a CNC machine

**Depth 10 mm** for all P-System grooves **in the surface**

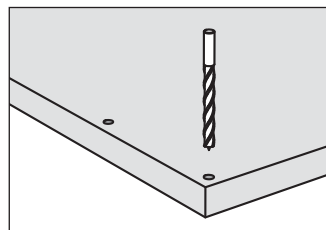
**Depth 14 mm** for all P-System grooves **in the edge**



	Part no.
<b>Clamex P-14, element with the lever</b>	
box with 2'000 pcs .....	<b>145338</b>
<b>Clamex P-10, element without lever</b>	
box with 2'000 pcs .....	<b>145358</b>
<b>Clamex P-10, element Medius</b>	
box with 2'000 pcs .....	<b>145369</b>

## Ideal combination of CNC machines and Zeta P2

Positioning drill holes on a CNC



Combining strengths: Precise drilling on a CNC machine; use these drill holes to position the Zeta P2 to cut the P-System grooves.

This application is especially ideal for nesting machines, when the cost for an additional aggregate can't be justified or the machine cannot be upgraded.

This method combines the precision and efficiency of a CNC machine and uses the simple and fast machining of a P-System groove with a Zeta P2.



Positioning pin Zeta P2	Part no.
Ø 5 mm .....	<b>251048</b>
Ø 8 mm .....	<b>251066</b>

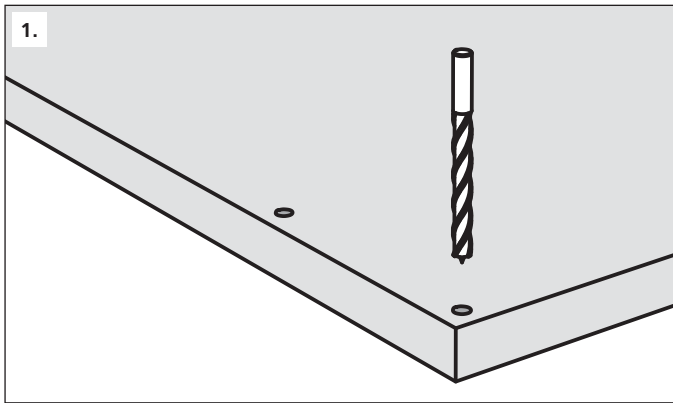
### Advantages and properties

- Save time and money!
- Short setup time with a Zeta P2
- No specific angle aggregates, software or CNC tools necessary
- Precise positioning for center panels

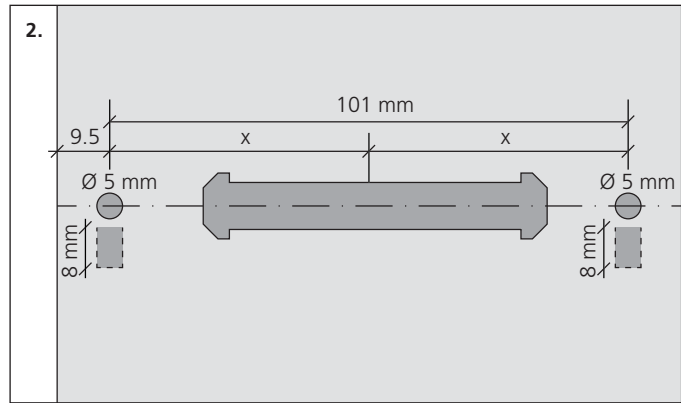


Positioning clip for Zeta P2	Part no.
Ø 6 mm .....	<b>251067</b>
For positioning in the Clamex access hole (6 mm)	

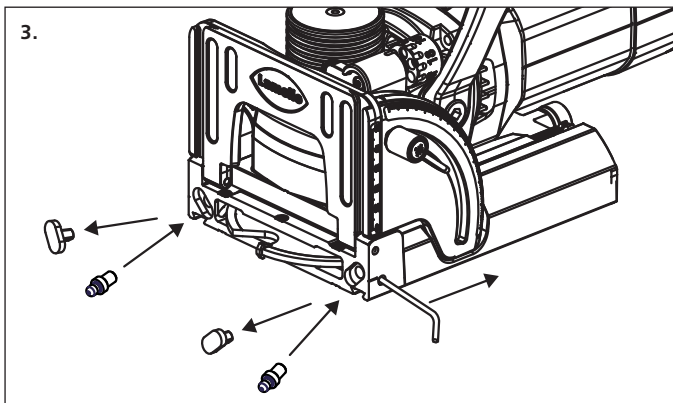
## Cutting the groove in the surface



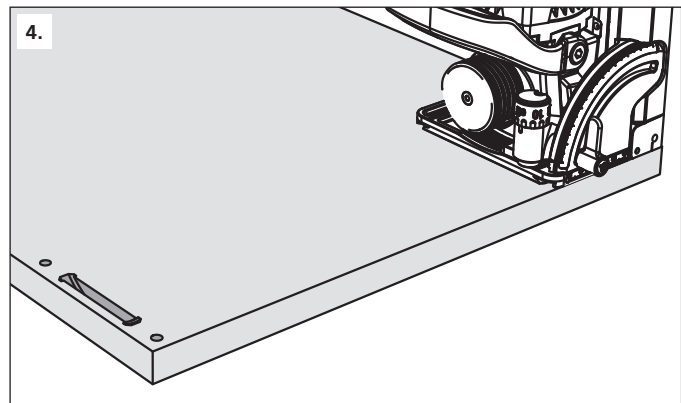
Drill the positioning holes with the CNC,  $\varnothing 5 \text{ mm} / \varnothing 8 \text{ mm}$



Hole pattern of the positioning drill holes

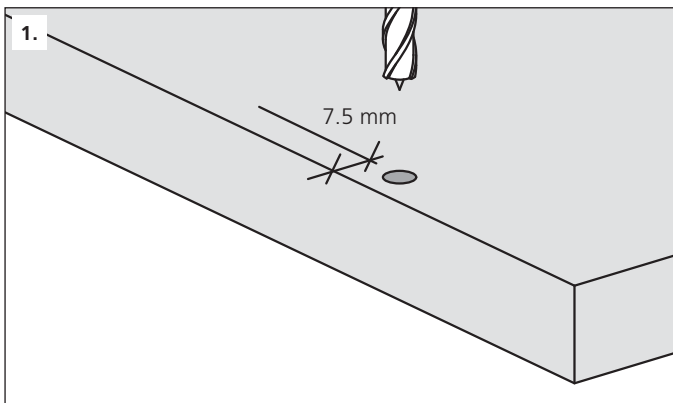


Insert the positioning pins in the Zeta P2

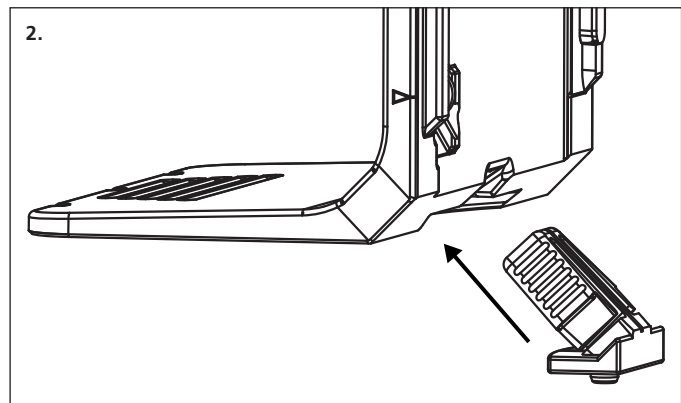


Position the machine in the drill holes

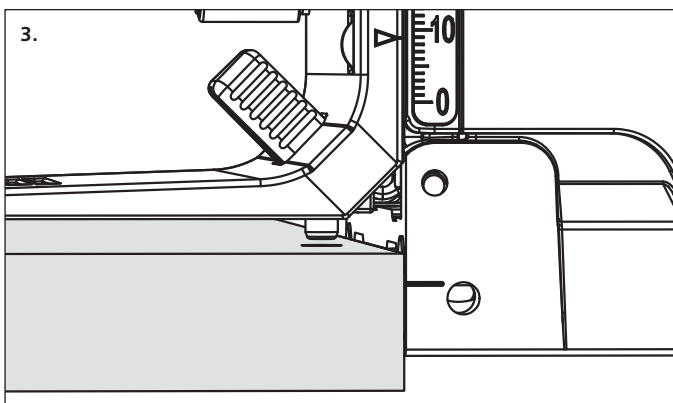
## Cutting the groove in the edge



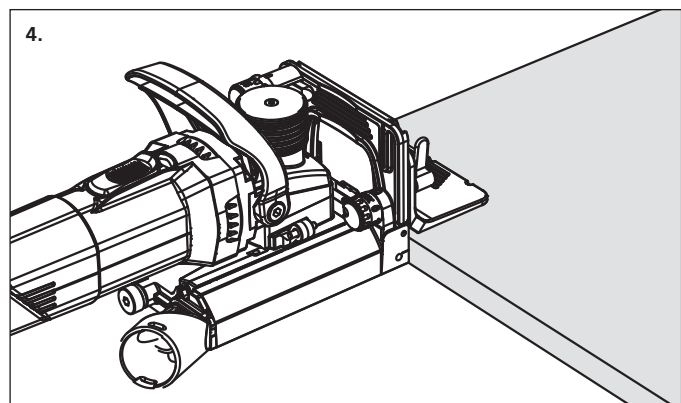
Drill the positioning hole with the CNC,  $\varnothing 6 \text{ mm}$



Insert the positioning clip



Insert the positioning clip in the drill hole  $\varnothing 6 \text{ mm}$



Cut the groove with the positioned machine

# Lamello-System

*“The original biscuit – always a perfect fit! Efficient, quick and precise!”*

*Mr Antonio Orlando, Head of Production Ladenmacher AG in Hägendorf, Switzerland*

LADENMACHER





# Joining with the **Lamello System**



# An exceptionally efficient, simple and precise joining system for panels



## How it works



1. Cut grooves



2. Apply glue



3. Insert biscuits

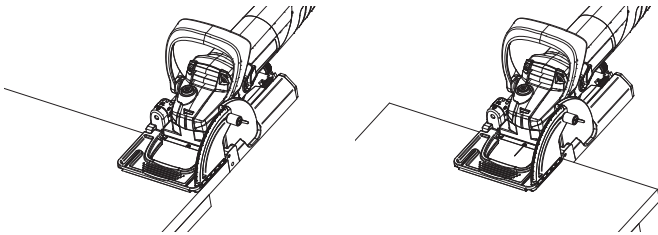


4. Clamp workpiece

The precise work results of the system and the long life of the power tools pay off

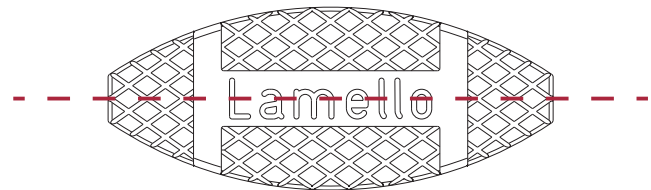
## Advantages and properties

**Fast** – Lateral sliding tolerance



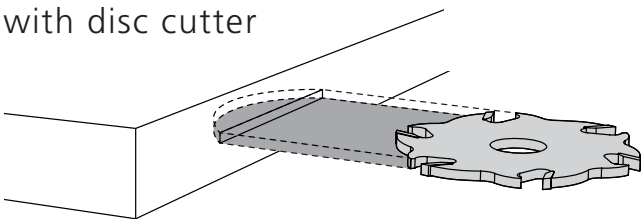
- **Easy positioning** of the machine to the pencil mark
- **No additional side stops or positioning aids necessary**
- **Great flexibility** when assembling, possibility to join panels by sliding together from different angles – not just perpendicular unlike dowels (see large picture left)

**Easy** – Same groove depth for both sides



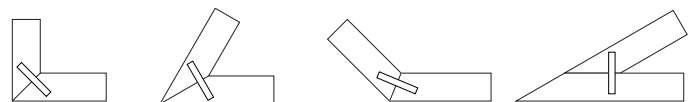
- No changing of the cutting depth means **less room for error**
- **Saves time** with every joint

**Precise** – Established cutting principle with disc cutter



- **Disc-shaped tools cannot bend or flex**
- **Always parallel, precise grooves** – despite wood knots or fast working
- **No tool change** for many different joining elements
- **Low maintenance cost** throughout the long life of the power tool, maintenance comprises **one cutting tool only**









**Versatile** – Thin flat joining element with minimal installation depth



- **Join thin workpieces** 8 or 10 mm in many various angles
- **Minimal material weakening**
- **Non-rotating, cost effective** joining elements

# Versatile applications with a wide range of joining elements



Without tool change			With tool change
20	10	0	H9
			
E20-L	E20-H	K20	Clamex S-18
			
C20	C10	Simplex	

...and many more additional benefits



### Cut grooves

Cut grooves for tongue and groove connections, using standard carbide-tipped groove cutter 4 mm



### Wood repairs

Repairing of resin pockets and small defects, carbide tipped cutter for Minispot patches size 2

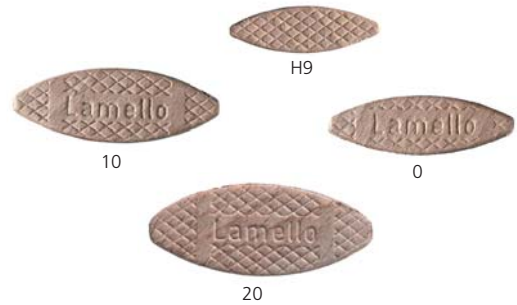


### Cut expansion gaps

Expansion gaps for wood ceilings or floors, sliding shoe and carbide-tipped saw blade

# The original wooden biscuit

The Original  
Swiss production  
Swiss timber  
Lamello quality



© Logo for genuine Swiss timber  
Lignum-70-0003

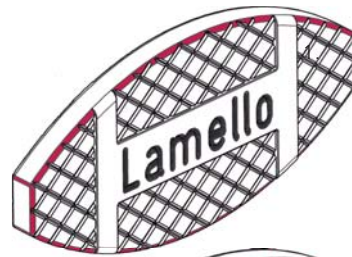


The mark of  
responsible forestry

## Advantages and properties

### 1. Rounded smooth edges

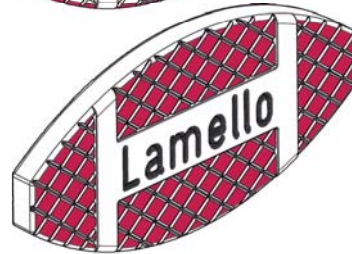
– Easy handling and insertion



### 2. Recessed & embossed glue surface

– Accurate glue distribution

– Easy insertion into groove



### 3. Diagonal fiber orientation

– Excellent breaking strength

## Wood biscuits

carton	Size	Quantity	Part no.
Size 20.....	56 × 23 × 4 mm .....	1000 pieces .....	<b>144020</b>
Size 10.....	53 × 19 × 4 mm .....	1000 pieces .....	<b>144010</b>
Size 0.....	47 × 15 × 4 mm .....	1000 pieces .....	<b>144000</b>
Size H9 .....	38 × 12 × 3 mm .....	1000 pieces .....	<b>144009</b>
Size 20, 10, 0.....	assorted .....	1000 pieces .....	<b>144030</b> (500, 250, 250)

Installation of wooden biscuits with cutter Ø 100 × 4 × 22 mm (standard cutter)

Installation of H9 wooden biscuits with cutter Ø 78 × 3 × 22 mm (Part no. 132009)



# Gluing

## Minicol

The all purpose glue applicator

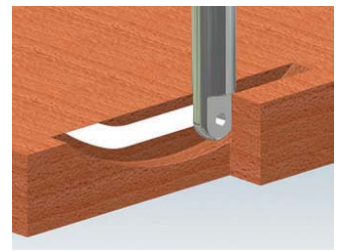
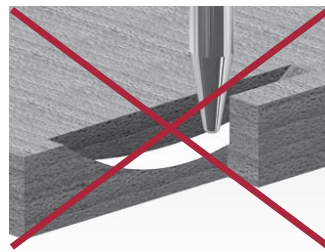
### Advantages and properties

- For 4 mm grooves
- Nozzle facing downwards in the stand for quick use
- Bottle base prevents the glue from drying up in the nozzle
- Volumetric capacity: 300 ml
- Glue application on the sides



**Minicol:** glue applicator with a sturdy bottle base in solid wood

175500



Glue application on the sides

### Glue applicator Minicol

### Part no.

Minicol Mod. KS .....with plastic nozzle.....	<b>175500</b>
Minicol Mod. M .....with metal nozzle.....	<b>175550</b>



### Nozzles for Minicol

### Part no.

plastic nozzle .....	<b>335511</b>
metal nozzle .....	<b>285512</b>
pointed nozzle .....	<b>335522</b>
metal nozzle .....for biscuits size H9 .....	<b>285509</b>

Accessories starting page 102

## Clamping Set

### Advantages and properties

- Easy clamping system for gluing case work, drawers, frames, wall and floor panels
- Even pressure distribution guarantees correct angle of workpiece



175020



### Clamping Set

### Part no.

20 cm .....	1 piece of clamps .....	<b>175021</b>
	8 m belt	
	4 pieces profile sections 20 cm	
60 cm .....	2 pieces of clamps.....	<b>175020</b>
	2 pieces 8 m belt	
	4 pieces profile sections 60 cm	
	2 pieces tension hooks	

### Parts

### Quantity

### Part no.

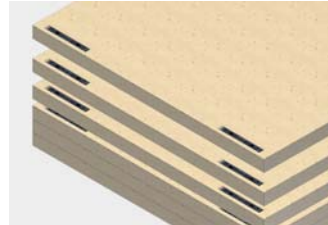
Clamps.....	2 pieces.....	5 m clamping belt .....	<b>175005</b>
		8 m clamping belt .....	<b>175008</b>
Buckle for clamps .....	1 piece .....	without belt.....	<b>175060</b>
Polyester belt for clamps .....	1 roll .....	of 50 m .....	<b>175050</b>
	Per meter .....	m <sup>1</sup> .....	<b>335000</b>
Tension hooks .....	2 pieces.....		<b>175200</b>
Profile sections.....	4 pieces .....	length 12 cm .....	<b>175401</b>
		length 40 cm .....	<b>175402</b>
		length 60 cm .....	<b>175403</b>

# Clamex S connector

For aesthetic constructions. Detachable, flexible and easy. Installation in an 8 mm groove with screws



Flexible



Stackable



Aesthetic



Detachable



## Advantages and properties

- Detachable connections
- Aligns and connects, 2 functions in one
- Aesthetic joint due to the small hole for opening and closing
- Safe from twisting due to the aligning studs
- Flexible miters in all angles
- Stackable, since no parts protrude from the surface, so ideal for flat packing
- Easy installation with any Lamello biscuit joiner

## Applications of Clamex S

- Detachable furniture joints
- Surface, corner and dividing wall connections
- All angles
- Frame connections
- Dividing walls
- Glue aid

## Technical data

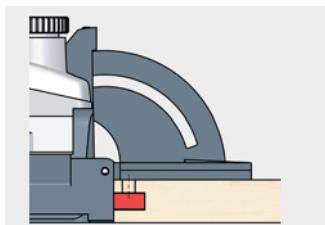
Size.....	66 × 29 × 8 mm
Cutter.....	Ø 100 × 8 × 22
Material of connector.....	fiberglass reinforced plastic
Material of lever.....	zinc die cast
Installation tolerance.....	longitudinal ± 1.0 mm (max. ± 1.25 mm)

Clamex S-18	Part no.
18 pairs .....	<b>145231</b>
80 pairs .....	<b>145236</b>
300 pairs .....	<b>145241</b>
1000 pairs .....	<b>145251</b>

Accessories starting page 98

## How it works

Clamex S-18 installation with cutter Ø 100 × 8 × 22 mm (Part no.132108)



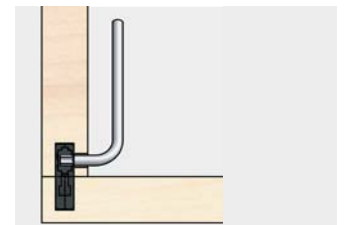
1. Cut groove, 8 mm



2. Drill hole 6 mm



3. Screw in the Clamex S



4. Connect, finished!

# E20

The self-clamping element



E20-H



E20-L

Inserting E20-L



### Advantages and properties

- **Connects and clamps** with one strike. The curved ridges clamp the connection together during insertion.
- Cut groove in both workpieces **simultaneously**
- **No clamps** – no waiting time
- Easy joining with a Lamello biscuit joiner

### Applications of E20

- Door frames
- Furniture plinths
- Elongating of panels and profiles
- Ideal on site

Inserting E20-H



Inserting E20-L



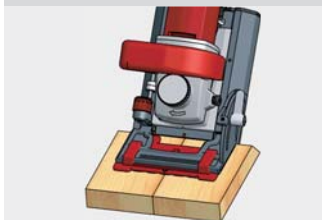
### Technical data

Size E20-L .....	56 × 11.5 × 4 mm
Size E20-H .....	23 × 28 × 4 mm
Cutter .....	Ø 100 × 4 × 22
Material .....	Fiberglass reinforced plastic

E20	Quantity	Part no.
E20-H .....	80 pieces .....	<b>145021</b>
	400 pieces .....	<b>145026</b>
	1200 pieces .....	<b>145028</b>
E20-L .....	80 pieces .....	<b>145022</b>
	400 pieces .....	<b>145025</b>
	1200 pieces .....	<b>145027</b>
E20-L / E20-H .....	40 pieces per type .....	<b>145020</b>

### How it works

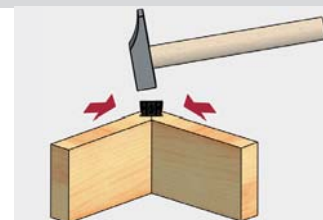
#### E20-H



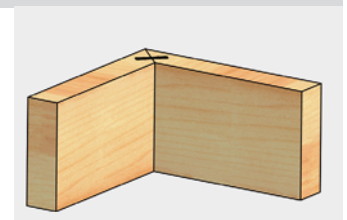
1. Cut groove



2. Apply glue

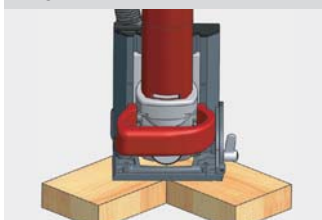


3. Insert E20-H

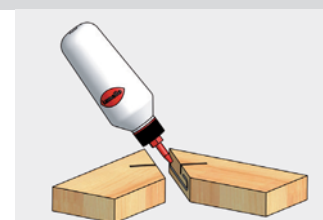


4. Finished!

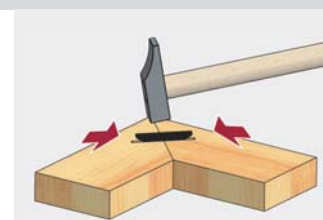
#### E20-L



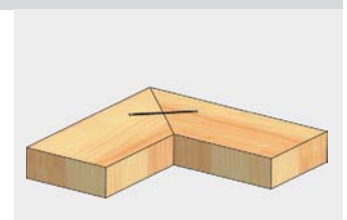
1. Cut groove



2. Apply glue



3. Insert E20-L



4. Finished!





## K20

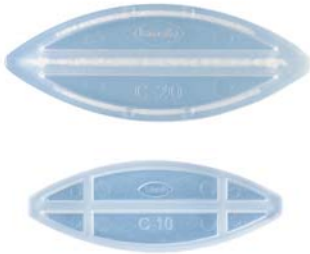
Clamping element



### Advantages and properties

Clamping aid for workpieces which are difficult to clamp, e.g. bulkheads, crown moulding etc.  
Use in combination with wooden Lamello biscuits.  
Made of plastic, barbed cross ribs for grip.

Cutter	Size (mm)	Quantity	Part no.
Ø 100 × 4 × 22	60 × 24 × 4.5	80 pieces	<b>145001</b>
		250 pieces	<b>145000</b>

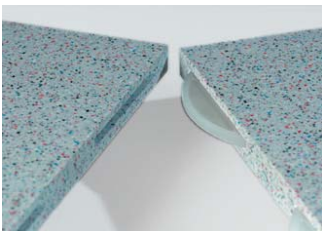


## C20 / C10

Solid surface element transparency

### Advantages and properties

For joining solid surface materials such as Corian®, Varicor® etc. Made of translucent plastic



Cutter	Size (mm)	Quantity	Part no.
<b>C20</b> ..... Ø 100 × 4 × 22	60 × 23 × 4	250 pieces	<b>145010</b>
<b>C10</b> ..... Ø 100 × 4 × 22	53 × 19 × 4	300 pieces	<b>145012</b>

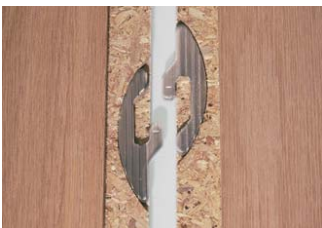


## Simplex

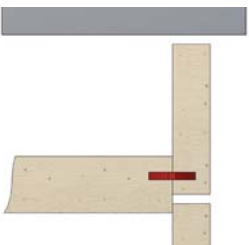
Detachable slide-in connector

### Advantages and properties

Detachable, two part connector for ceiling panels, screens, shelves and general casegoods.  
Install with insertion tool and two-part epoxy adhesive.  
Made of aluminum



Cutter	Size (mm)	Quantity	Part no.
Ø 100 × 4 × 22	54 × 23 × 4.1	50 pairs	<b>166101</b>
		100 pairs	<b>166100</b>
Inserting tool for Simplex (For accurate positioning of Simplex)			<b>166110</b>



# Original Lamello biscuit joiners

## These properties make the difference

### Multifunctional stop square included in the kit

**Both sides flush surfaces** on baseplate, swivelling front and stop square for efficient positioning of the biscuit joiner on the work piece's outer edge



**Vertical stability** by attaching to the baseplate to increase the surface



**Perfect precision of miters** by applying on the outer surface for 22.5 and 45° angles

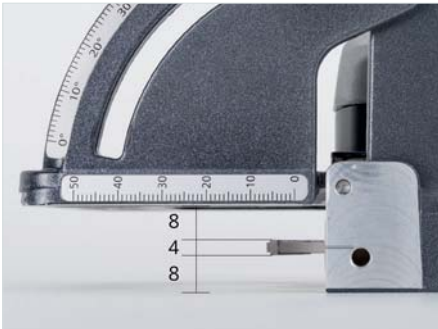


**Variable positioning of the groove** from the application surface 0–50 mm

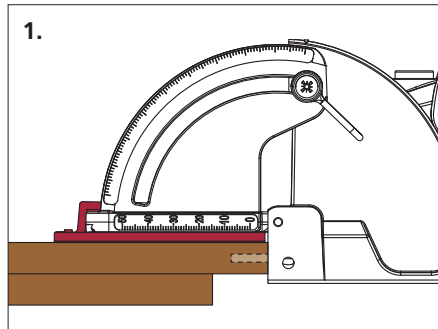
### Swivelling front with fixed rotational point

**Exactly the same distance from both sides to the cutter = 8 mm**

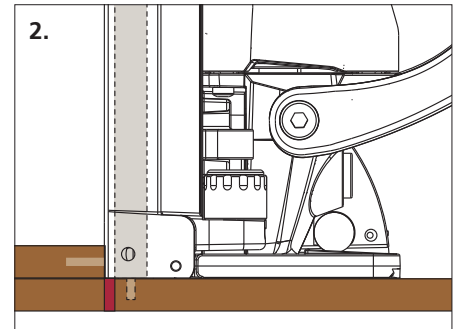
Allows alternating the application surface from the swivelling front **1.** to the baseplate **2.** Especially important when cutting thin dividing panel connections



- **Safe process** guarantees always precise, parallel grooves
- **No inaccuracies or source of mistakes** because the height cannot be adjusted



**Application with the swivelling front**  
With the 4 mm spacer for 12 mm dividing panel (groove in the center)



**Application with the baseplate**  
The dividing panel (moved by 4 mm) serves as application surface

### High-precision machined application surfaces



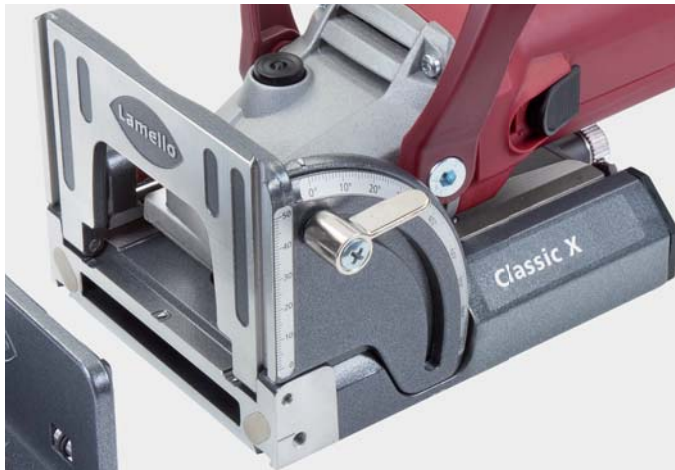
– **CNC machined high-precision application surfaces** for exact application on the workpiece



– **Long-life precision guide** provides exact, parallel grooves for perfect fit of the workpieces

# Classic X

The original biscuit joiner for every workshop. Choose Lamello for precision, reliability, longevity and many other benefits



Swivelling front and base plate are flush on the sides

## Advantages and properties

- Powerful 780 W motor, ergonomic slim shape
- Base plate is flush on both sides for efficient positioning of the machine on the workpiece
- High-precision machined guide and application surfaces for perfect fit of the workpieces
- Multifunctional stop square
- Versatile use, (see p 50)
- Swivelling front stop 0–90° with detents at 22.5°, 45°, 67.5°, 90°
- Rotating depth adjuster with 6 standard depths



Central lock

## Technical data

Power .....	780 W
Voltage .....	230 V oder 120 V
Speed .....	10'000 min <sup>-1</sup>
Cutter .....	Carbide tipped cutter Ø 100 × 4 × 22
Teeth .....	Z6 (3+3) with reversing teeth
Cutting depth max. ....	20 mm
Weight.....	3.1 kg

## Versatile applications



Joint with biscuits



Joint with Clamex S



Wood repairs



## Classic X

## Part no.

in systainer .....	<b>101600S</b>
in carton .....	<b>101600K</b>

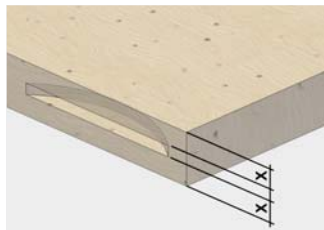
## Kit contains

Classic X with:	- stop square
- carbide tipped cutter	- spacer 4 mm
- suction stub 36 mm	- tool set

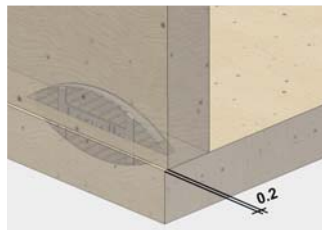
Accessories starting page 100

# Top 21

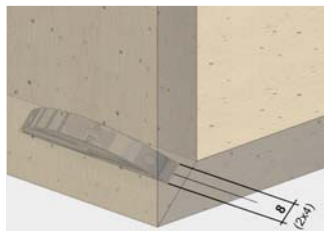
The original biscuit joiner with height adjustable blade from the inventor of biscuit joiners. Choose Lamello for precision, reliability, longevity and many additional applications



Adjust groove to middle



Off-set workpieces



Double cut for Clamex S



## Unique features

### 1. Height adjustable cutter

SMS: Step Memory System

- Scale +/- 2 mm in steps of 0.1 mm (total 4 mm)
- Adjust groove position to exact **center of the workpiece** (material thickness 8 – 24 mm)
- Easy joining of laterally **off-set workpieces**
- Double cut 2 x 4 mm **for Lamello Clamex S**
- **Expansion gaps** (adjustable from 8 to 12 mm) adjustable in steps of 0.1 mm
- Individual positioning of the groove

### 2. Powerful 800 W motor

- Powerful, electronically controlled motor with soft start, constant speed control, overload protection and restart protection
- Service friendly, minimal cost for maintenance and repair

### 3. Precision cutter

with 4 scoring teeth and hub

### 4. Including dust bag

and adapter Ø 36 mm

## Technical data

Power / Voltage.....	1'050 W / 230 V 800 W / 120 V
Speed .....	9'000 min-1
Cutter.....	Carbide tipped cutter with hub Ø 100 x 4 x 22 mm
Teeth .....	Z2 + V4 with scoring teeth
Cutting depth max.....	20 mm
Weight.....	3.5 kg

## Top 21

## Part no.

in systainer.....	
in systainer with carbide reversing blade cutter .....	<b>101500S</b>
	<b>101500SW</b>

## Kit contains

Top 21 with:	– spacer 4 mm
– carbide tipped cutter	– suction stub 36 mm
– suction stub 23 mm	– dust bag
– stop square	– tool set

Accessories starting page 100

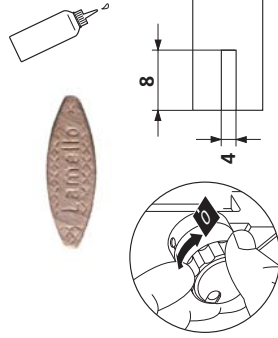
# Lamello-System

www.lamello.com

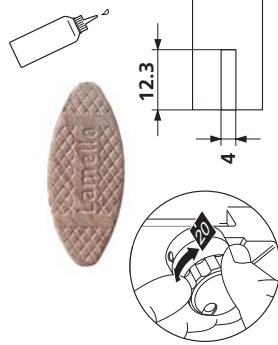
Carbide tipped groove cutter Part no.  
 Ø 100 x 4 x 22 mm  
 for Zeta, Top, Classic  
 for Classic 132000  
 132106



## original wooden biscuit

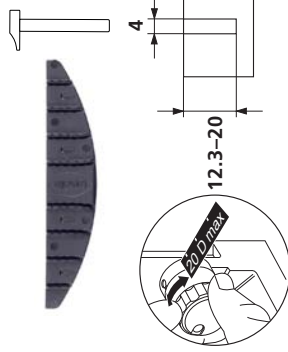


**0**  
 1000 pieces  
**Size** 47 x 15 x 4 mm  
**Part no.** 144000



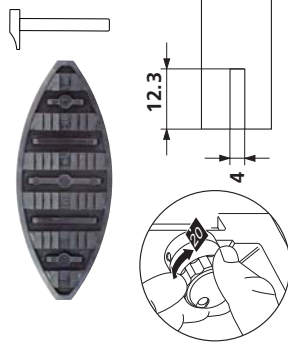
**20**  
 1000 pieces  
**Size** 56 x 23 x 4 mm  
**Part no.** 144020

## E20-L



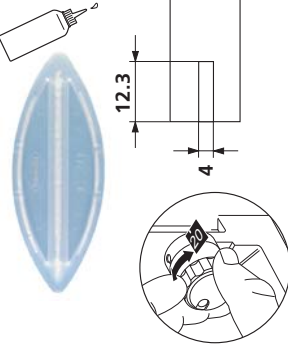
**Self-clamping element**  
**Size** 56 x 11.5 x 4 mm  
**Part no.** 145022  
 80 pieces  
 400 pieces  
 1200 pieces  
**145025**  
**145027**

## K20



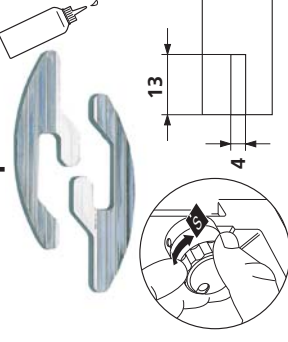
**Clamping element**  
**Size** 60 x 24 x 4.5 mm  
**Part no.** 145001  
 80 pieces  
 250 pieces  
**145000**

## C20

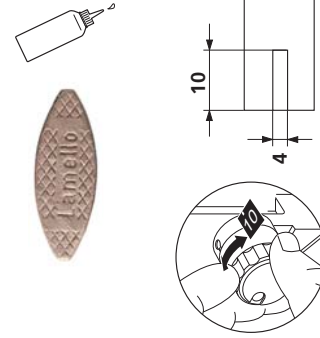


**Biscuit for solid surface**  
**Size** 60 x 23 x 4 mm  
**Part no.** 145010  
 250 pieces  
**145010**  
**166101**  
**166100**

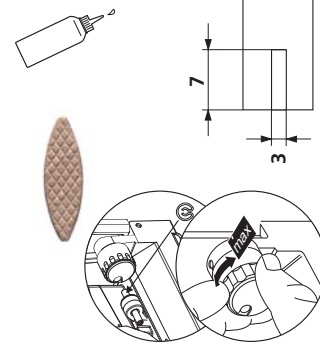
## Simplex



**Detachable slide-in connector**  
**Size** 54 x 23 x 4 mm  
**Part no.** 166101  
 50 pairs  
 100 pairs  
**166100**



**10**  
 1000 pieces  
**Size** 53 x 19 x 4 mm  
**Part no.** 144010

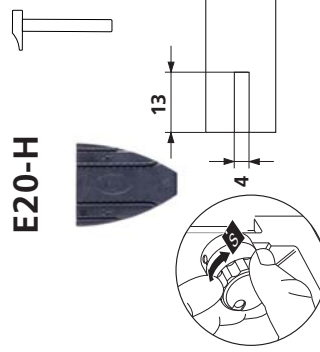


**H9\*\***  
 1000 pieces  
**Size** 38 x 12 x 3 mm  
**Part no.** 144009

\*\*Carbide tipped groove cutter  
 Ø 78 x 3 x 22 mm, Part no. 132009

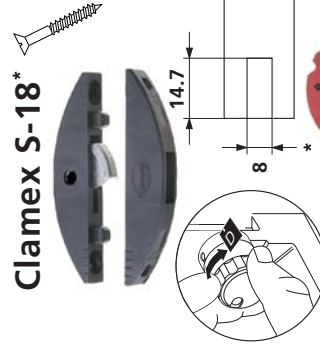


## E20-H



**Self-clamping element**  
**Size** 23 x 28 x 4 mm  
**Part no.** 145021  
 80 pieces  
 400 pieces  
 1200 pieces  
**145026**  
**145028**

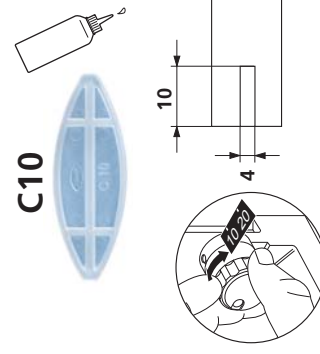
## Clamex S-18\*



**Connector with screw insertion**  
**Size** 66 x 29 x 8 mm  
**Part no.** 145012  
 300 pieces  
**145012**  
**145231**  
**145236**  
**145241**  
**145251**

\* Cutter with reversible blades:  
 Ø 100 x 8 x 22 mm, Part no. 132108

## C10



**Biscuit for solid surface**  
**Size** 53 x 19 x 4 mm  
**Part no.** 145012  
 300 pieces  
**145012**



# Drilling systems

*„The Cabineo saves time – machining and assembly takes seconds, which significantly impacts the production chain.“*

*Christoph Büchi, Managing Director, Schreinerei Büchi Ag in Liestal, Switzerland*





# Connecting with the **Cabineo**





# Cabineo, the CNC connector of the future. Simple, Fast and Strong!

## How it works



1. CNC – surface machining



2. Insert one-piece connector

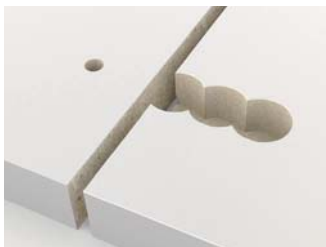


3. Deliver flat-pack



4. Connect the workpieces

## Advantages and properties



No edge drilling



No dowel holes



One-piece and pre-installed



Fast Assembly



High clamping force



Panels from 12 mm thickness



Installation of fixed shelves in assembled units

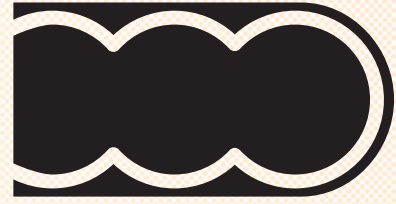


Simple, Fast and Strong



# Cabineo

Time-saving furniture connector without edge drilling and with very high clamping force



## Advantages and features

- **Process optimization due to clean surface machining;**  
No horizontal boring required!
- **Reduced height of 10 mm** for panel thicknesses of 12 mm or more
- **One-piece connector without dowel;** no need for preassembly of screws or dowels in the side sections
- **Flat-pack delivery** with preassembled connectors
- **Possible disassembly** for transportation or if the fixed shelves need to be adjusted
- **Possibility of retroconnector fixed shelves** or vertical partitions in a cabinet that has already been installed



**Cabineo 8**

Screw length 8 mm  
for dividing panels from 16mm  
and corner joints from 12 mm



**Cabineo 12**

Screw length 12 mm



**Cabineo 8 black**

Screw length 8 mm  
for dividing panels from 16mm  
and corner joints from 12 mm



**Cabineo 12 black**

Screw length 12 mm

## Technical data

Size.....	33.8 × 16.5 × 10.8 mm
Cutter.....	Ø 12 mm or smaller
Drill.....	Ø 5 mm and Ø 15 mm
Material housing.....	Fibre-glass reinforced plastic
Installation tolerace.....	Longitudinal ± 0.1 mm

## Technical values without dowel

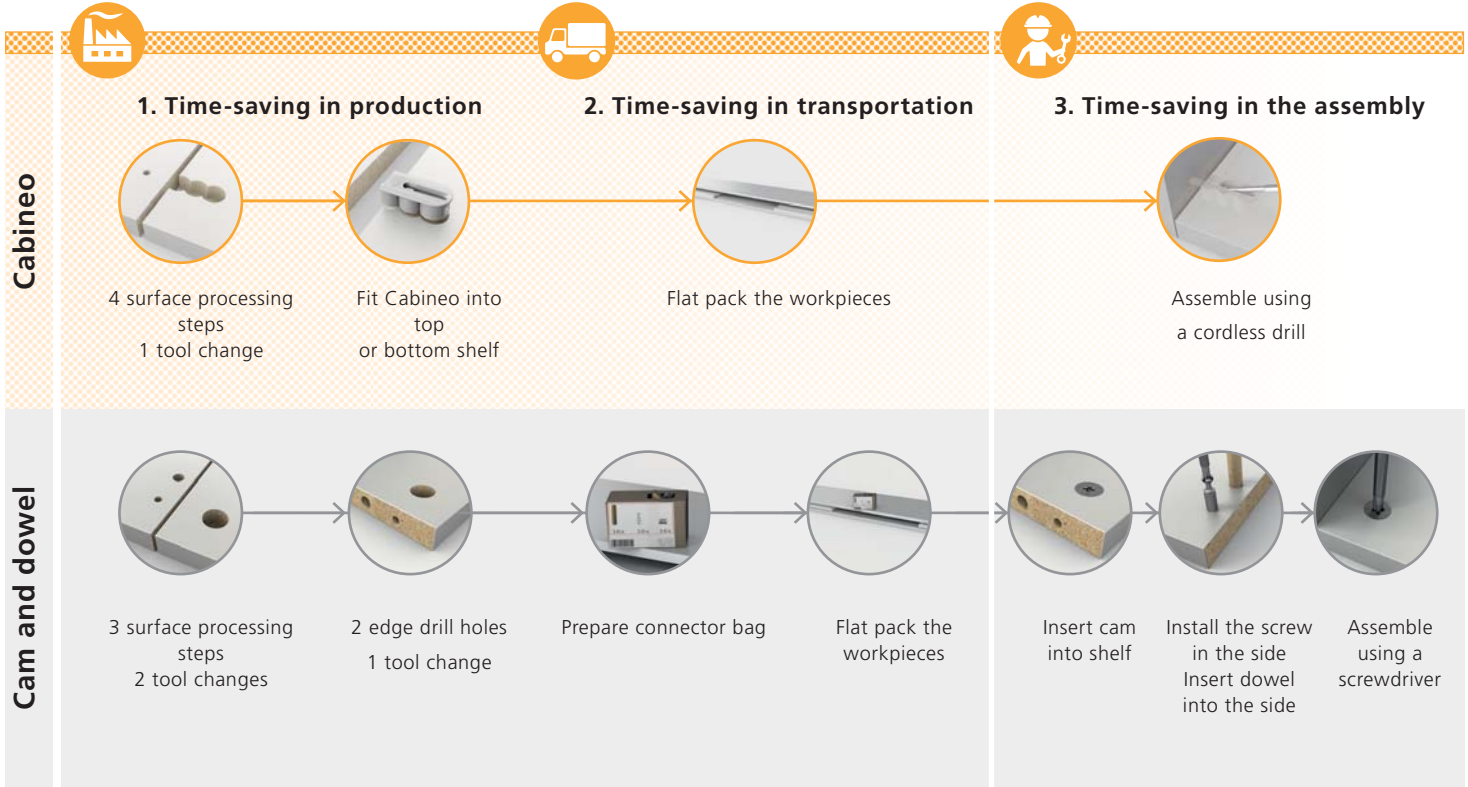
particle board 19mm	Cabineo 12	Cabineo 8
Tensile strength	900 N or 200 lb	500 N or 110 lb
Shear strength	850 N or 190 lb	550 N or 120 lb
Clamping force	900 N or 200 lb	500 N or 110 lb
	10 N ~ 1kg	

## Cabineo

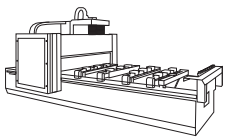
	Part no.
Cabineo Starter Set, Cabineo 8 + 12 (40 pcs each), incl. Cabineo hex bit and set of cover caps (40 pcs) .....	<b>186305</b>
Cabineo 8, for dividing panels, 500 pcs .....	<b>186310</b>
Cabineo 8, for dividing panels, 2000 pcs .....	<b>186311</b>
Cabineo 12, 500 pcs .....	<b>186320</b>
Cabineo 12, 2000 pcs .....	<b>186321</b>
Cabineo 8 black, for dividing panels, 500 pcs .....	<b>186340</b>
Cabineo 8 black, for dividing panels, 2000 pcs .....	<b>186341</b>
Cabineo 12 black, 500 pcs .....	<b>186330</b>
Cabineo 12 black, 2000 pcs .....	<b>186331</b>

Accessories starting page 101

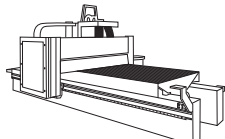
# Cabineo – Machining



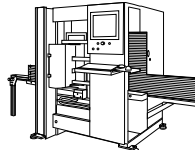
## CNC-Connector – efficient machining with all CNC machines



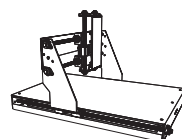
CNC processing centres with **consoles**



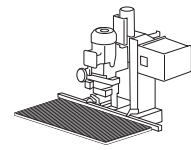
CNC processing centres with nesting **technology**



**Vertical CNC** processing centres

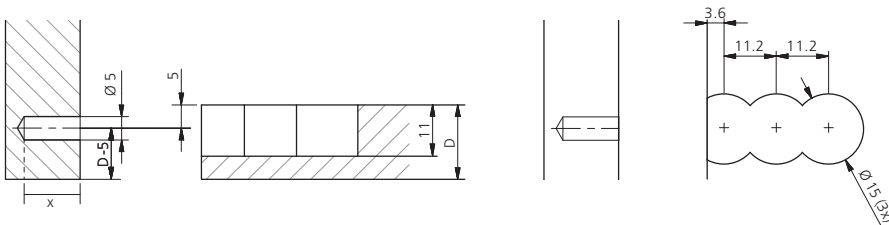


CNC **router**



**Drilling and insertion machines**

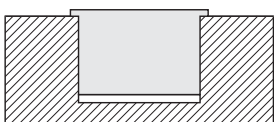
## Processing – the Cabineo can be drilled or machined



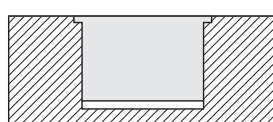
Drill  $\varnothing 5$  mm (HPL ->  $\varnothing 5.5$  mm) | Cabineo 8: X = 8 mm (Black screw) | Cabineo 12: X = 12 mm (Nickel plated screw)

## Installation options

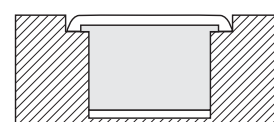
### 1. On the surface



### 2. Flush with the surface



### 3. Flush cover cap



# Cabineo – Applications

## Clever assembly



Delivered as flat pack. Pre-installed screws for faster assembly



Place furniture side on base. The element is correctly positioned by the protruding screw



Join furniture components with a cordless screwdriver and the Cabineo tool. Easy and fast with a preset torque of about 2.5 Nm



Position cover and push towards the furniture side



Screw front corner in place with a cordless screwdriver. This makes one-person assembly easy



After assembly, fasten the fixed intermediate shelves in the required positions



Tip:  
- Place one side of the shelf on the shelf support and fasten the other side  
- Screws loosened flush simplify installation



If required, use cover caps on the Cabineo

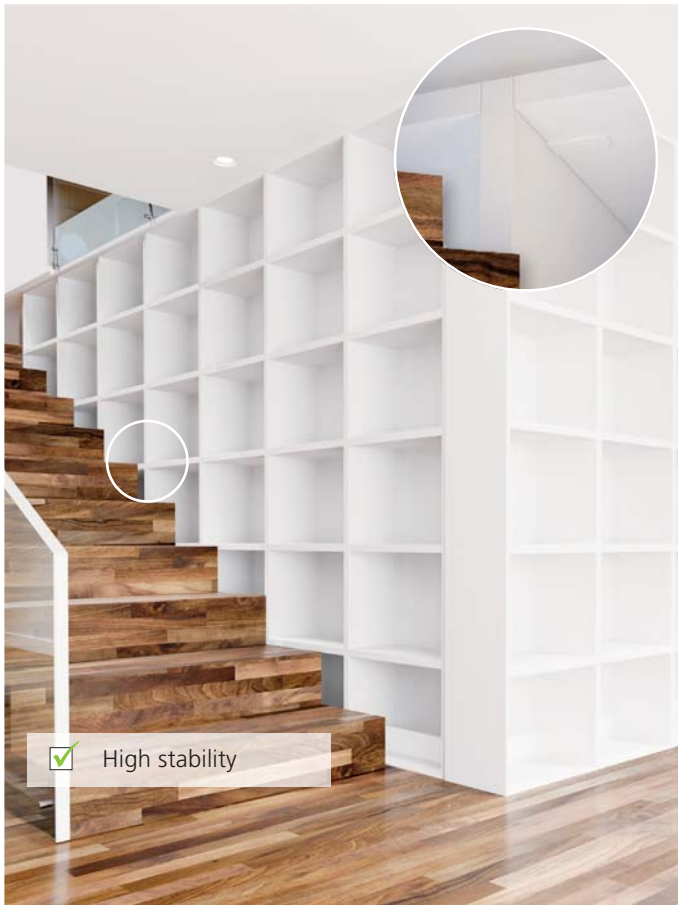
## Walk-in closets



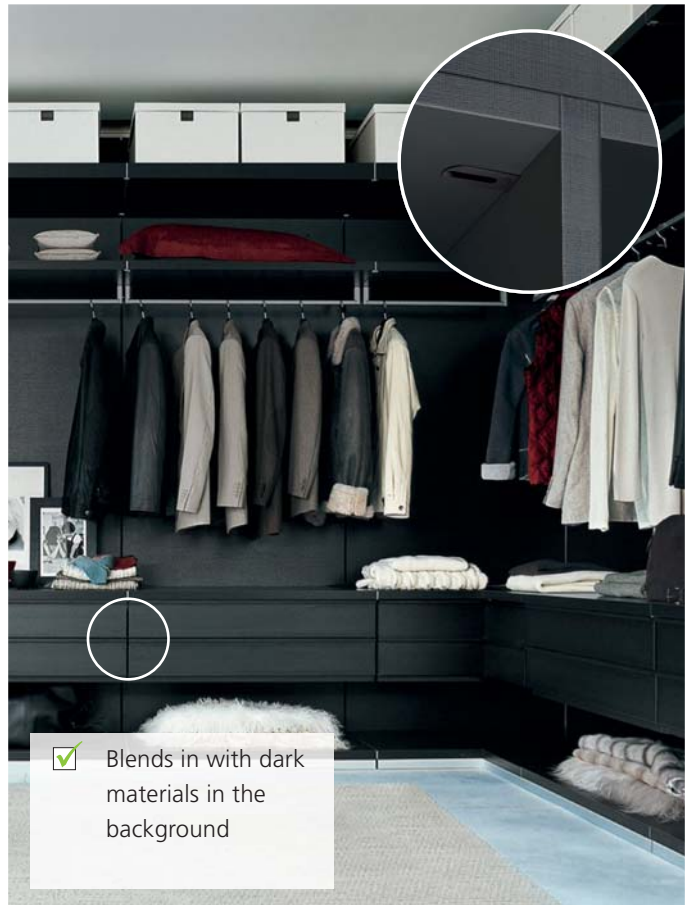
✓ Retrofit fixed shelves into an already assembled wardrobe



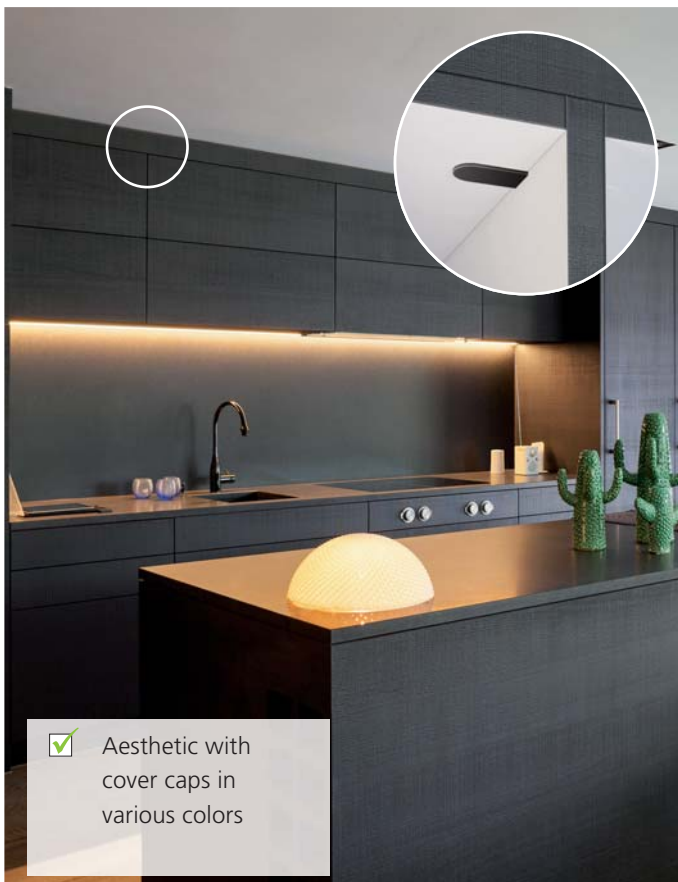
## Store fixtures



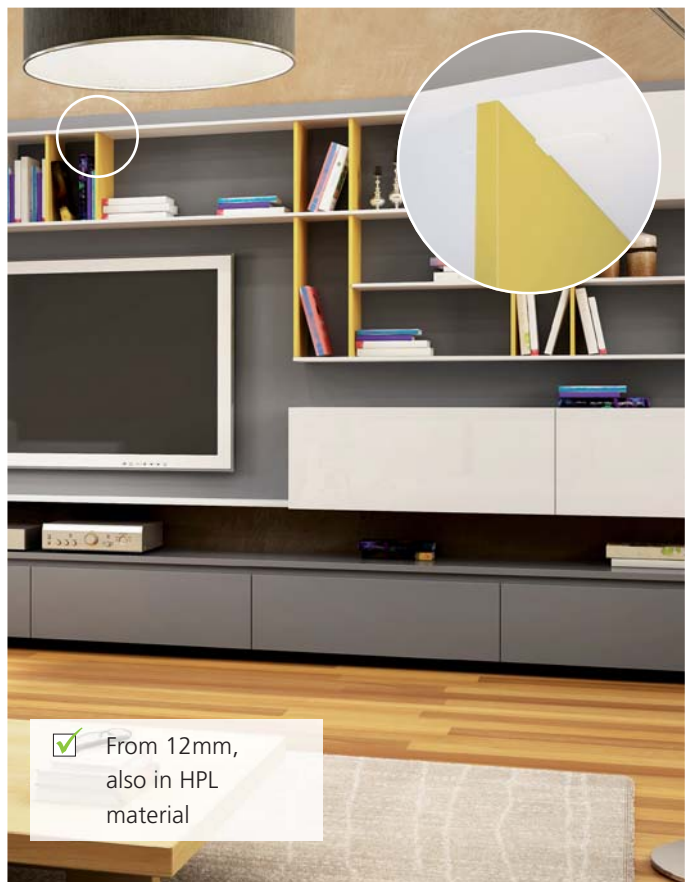
## Walk-in wardrobes



## Kitchens



## Furniture with thin materials



# Joining with the **Invis Mx2 System**



Magnet-driven connections with an even higher clamping force!

Invisible as if glued, versatile as if screwed!



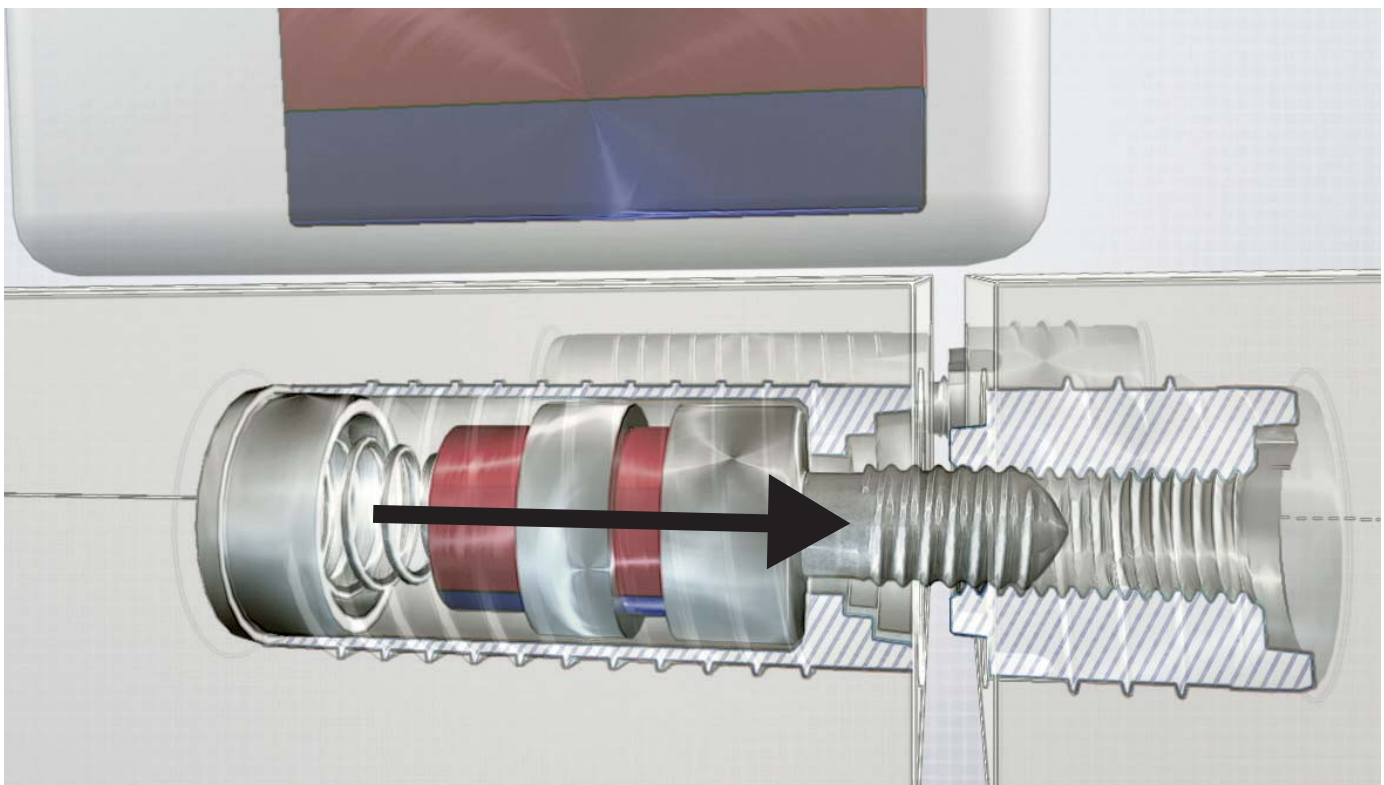
**250 kg** clamping force per connector  
Even more applications

**Powerful mechanical connections**

**Detachable within seconds**

**Completely invisible**

No openings | no protective caps | no filler | **a perfect look!**



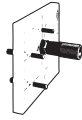
The MiniMag Mx2 drive opens or closes the connection  
The speed of the cordless drill must be 1200 – 1500 rpm

# Invis Mx2

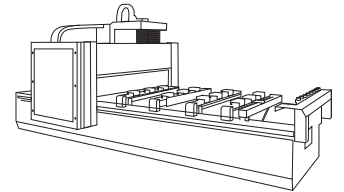
The unique invisible connection for highest demands on aesthetics, stability and productivity



Drill the hole for the Invis Mx2 connector with ...



... the Rasto drill jig or a CNC machine



## Fast and easy installation

Save time!



1.



2.

1. Screw the connector into the pre-drilled hole
2. Screw in the stud vertically using the insertion jig
3. Join and clamp the connection using MiniMag Mx2
4. If desired, open the connection by reversing the rotation of the cordless drill



3.



4.



Invis Mx2 Starter Kit



MiniMag Mx2 Kit



Invis Mx2 connector set with 14 mm stud



Invis Mx2 connector set with 30 mm stud



14 mm stud



35 mm Invis Mx2 connector



30 mm stud



Center-wall stud for a wall thickness of 10 – 30 mm (Total length 44mm)

Kits	Part no.
<b>Invis Mx2 Starter Kit</b> (in systainer) .....	<b>6100300</b>
– MiniMag Mx2	
– 20 Invis Mx2 connector sets with 14 mm stud	
– Rasto drill jig with 12 mm drill bit, depth adjuster, bushing	
– Screw bit	
– Flexible shaft	
– Insertion jig	
<b>MiniMag Mx2 Kit</b> (in cardboard box) .....	<b>6100301</b>
MiniMag Mx2, screw bit	

Invis Mx2 connector set	Quantity	Part no.
with 14 mm stud .....	20 pieces .....	<b>6012300</b>
with 30 mm stud .....	20 pieces .....	<b>6012301</b>
35 mm Invis Mx2 connector .....	20 pieces .....	<b>6012317</b>
14 mm stud .....	20 pieces .....	<b>6012312</b>
30 mm stud .....	20 pieces .....	<b>6012309</b>
Center-wall stud for 10 – 30 mm thickness	10 pieces...	<b>6012208</b>
Screw bit.....	1 piece.....	<b>6112205</b>
Flexible shaft for MiniMagMx2 .....	1 piece.....	<b>6100204</b>
Invis Mx2 insertion jig for studs 14mm	1 piece .....	<b>6112333</b>



## Clamp

1. Clamp **high-gloss painted furniture** without causing damage | 2. Easily connect and clamp **moulded parts**
3. Prepare **stairs and handrails** in the workshop and connect them quickly on-site



## Invisible

4. Install **wall elements** without any visible fasteners | 5. Connect and plaster **substructures** without needing to fill holes
6. Join **separation walls** without screw clamps



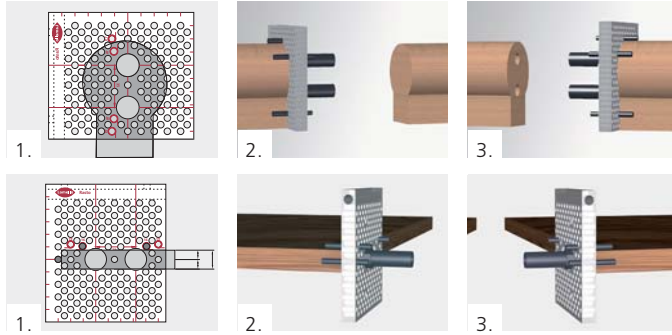
## Detachable

7. Deliver **large furniture items** in parts and assemble them on-site in next to no time | 8. Join **table legs** without visible fasteners and unscrew them again if necessary | 9. Quickly assemble and dismantle **trade fair stands**



# Rasto

The drill jig allows for precise drilling without measuring or marking into any workpiece shape. It is ideal for Invis Mx and many other applications



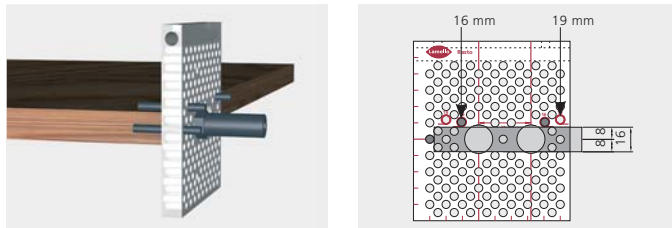
## How Rasto works

### Drill precise and efficient holes without measuring or marking into any shape!

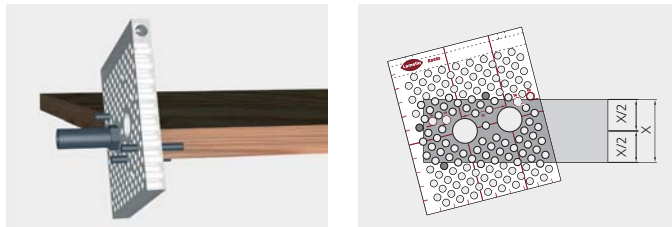
The Rasto concept uses positioning pins as stops instead of measuring the hole position. The holes always align perfectly because the position of the pins is not changed when drilling the second workpiece. The transparency allows for easy set up on the workpiece or aligning to a pencil mark. Due to its approximately 180 positioning holes Rasto can be used for nearly any shape, thickness or size.

## Advantages and properties

- Fast and precise holes
- Drill holes into all workpiece shapes
- Drill without measuring or marking
- Handles and 32 mm hole rows
- Ideal for exact drilling of holes for Invis Mx elements and studs



Holes in the center of 16 and 19 mm panels

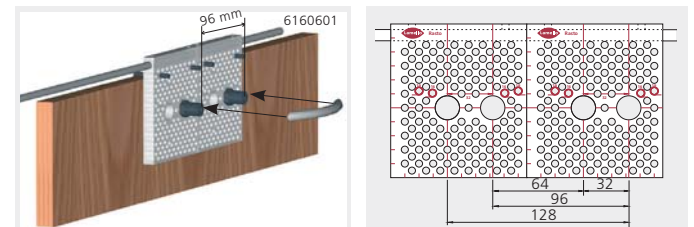


Holes in the center of any workpiece thickness

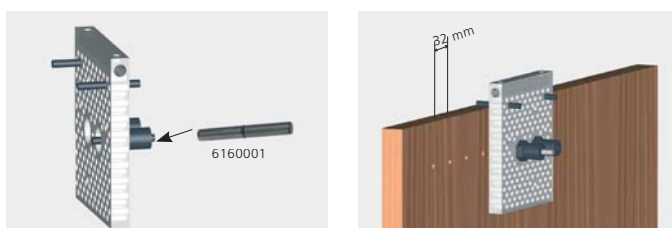


Miter connections

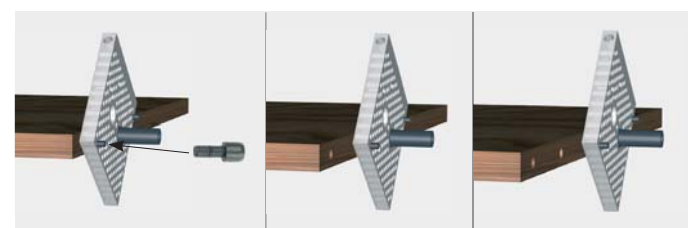
Dividing wall connections



Furniture handle holes and 32 mm hole rows



32 mm hole rows by referencing from the last hole



8 mm or 12 mm hole rows by referencing from the last hole

## Tables



1. Position the pins and drill the table leg

2. Screw in the connectors

3. Drill the table top using the same pin position

4. Screw in the studs

5. Connect using MiniMag Mx2

## Handrails



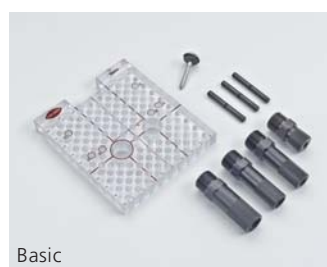
1. Position the pins and drill the handrail

2. Screw in the connectors

3. Drill the opposite side using the same pin position

4. Screw in the studs

5. Connect using MiniMag Mx2



Basic



Mono



Duo



### Applications of Rasto

- Kitchen bench tops
- Hand rails
- Corner connections
- All shapes and profiles
- Miter connections
- Furniture
- Stairs
- Dividing wall connections
- Surface connections

### Rasto

### Part no.

**Basic Kit** ..... **126005**

In a cardboard box: 1 transparent perforated plate, 4 drill bushings Ø 5, 8, 10, 12 mm, 3 positioning bolts, 1 fastening screw

**Mono Kit** ..... **126001**

In a systainer: 1 transparent perforated plate, 4 drill bushings Ø 5, 8, 10, 12 mm, 3 wood drill bits Ø 5, 8, 12 mm, 3 positioning bolts, 1 fastening screw, 1 Invis Mx2 spacer, 1 Invis Mx2 insertion bush

**Duo Kit** ..... **126002**

In a systainer: 2 transparent perforated plates, 8 drill bushings 2 x Ø 5, 8, 10, 12 mm, 3 wood drill bits Ø 5, 8, 12 mm, 6 positioning bolts, 2 fastening screws, 1 connection rod, 1 Invis Mx2 spacer, 1 Invis Mx2 insertion bush

### Accessories

### Part no.

Perforated plate for Rasto drill jig ..... **6160000**

Bolt Ø 5 x 40 for Rasto drill jig ..... **6160001**

Drill bush for Rasto drill jig:

Ø 5 mm ..... **6100065**

Ø 6 mm ..... **6100056**

Ø 8 mm ..... **6100057**

Ø 10 mm ..... **6100067**

Ø 12 mm ..... **6100058**

Depth adjuster for drill bit for Rasto drill jig:

Ø 5 mm ..... **6100059**

Ø 6 mm ..... **6100063**

Ø 8 mm ..... **6100060**

Ø 10 mm ..... **6100064**

Ø 12 mm ..... **6100061**

### Part no.

Wood drill bit with centring tip for Rasto drill jig:

Ø 5 mm ..... **6100160**

Ø 6 mm ..... **6106161**

Ø 8 mm ..... **6108060**

Ø 10 mm ..... **6110162**

Ø 12 mm ..... **6112060**

500 mm connection rod, two-part ..... **6160601**

Fastening screw with rubber pads ..... **6560450**

Invis Mx2 spacer for Rasto ..... **6112331**

Invis Mx2 insertion bush for studs 14 mm ..... **6112330**

# Joining with the **Gluing System**



# An ingenious gluing system for strong joining: economical, ready to use, modularly expandible

## How it works



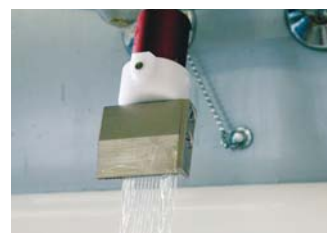
1. Equipment ready



2. Attach required nozzle



3. Apply glue



4. Clean nozzle

## Advantages and properties

### Dosage



"Simply apply the desired amount"  
Optimize glue application: precisely set the ideal quantity.



### Exact



"Exactly where I want it"  
Improve quality: precisely apply in the correct position, optimize joint strength



### Efficient



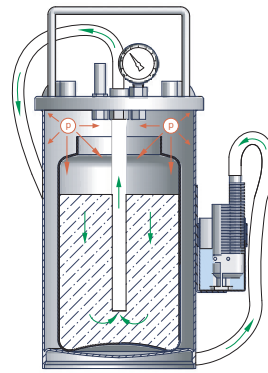
"As fast as possible"  
Save time: apply efficiently with the correct nozzle, minimize cleaning requirement



# Glue applicators

## LK 3, LK 5, LK 10

Glue applicator for water soluble glues



Nozzles for grooves



Nozzles for surfaces



Pointed nozzle



Nozzles for edges



Kit

### Advantages and features of the glue applicators

- **Stainless steel pressure tank** guarantees a long service life
- **Minimal cleaning required** due to the user-friendly design (only the pisto end and nozzle)
- **One single pressurization** suffices to dispense the entire 10, 5 or 3 kg capacity (even after an extended time period)
- **Complete and ready to use** with standard equipment
- **Modularly expandible**

### Advantages and features of the glue pistols

- Glue quantity regulation with easy manual control
- Drip free and easy to clean
- Bayonet coupling for speedy nozzle changing
- Easy to service

### Suitable adhesive

Adhesive type .....	Physically bonding water-based adhesive, e.g PVA glue (polyvinyl acetate PVAc)
Viscosity.....	6'000 – 16'000 mPas
Unsuitable adhesives .....	Reactive adhesives (PU or PUR, superglue, two-component adhesives, etc.), solvent-based adhesives (epoxy resin, contact adhesives, etc.)

### Technical data

Size.....	LK 3 .....	Ø 210 × 220 mm
	LK 5 .....	Ø 210 × 340 mm
	LK 10 .....	Ø 285 × 410 mm
Capacity .....	LK 3 .....	3 kg or 1 gal
	LK 5 .....	5 kg or 1.5 gal
	LK 10 .....	10 kg or 3 gal
Operating pressure .....		1–5 bar



LK 3 502003

## Glue applicators

LK 3	Part no.
Glue applicators incl. hose, glue pistols and pointed nozzle.....	502003



LK 5 502005

LK 5	Part no.
Glue applicators incl. hose, glue pistols and pointed nozzle.....	502005



LK 10 502010

LK 10	Part no.
Glue applicators incl. hose, glue pistols and pointed nozzle.....	502010
incl. connection option for a second hose	

### Kit contains (LK 3 / LK 5 / LK 10)

Stainless steel pressure tank with:  
 inner plastic glue container, water container for glue pistol, hose Ø 10 mm, length 4 m, glue pistol LK 0, pointed nozzle, pump hose, manual



LK 0 512200

## Glue pistols

LK 0	Application	Part no.
LK 0.....	for manual operation.....	512200

Accessories starting page 102



# Glue nozzles

Lamello glue nozzles are anodized, coating them with a hard surface, 3/100 mm thick



## Advantages and properties

- **Resistance to wear**
- **Smooth gliding surface**
- Surfaces **easy to clean**
- Speedy nozzle changes are made possible with the bayonet coupling



512462



512404

for edges

	Size	Part no.
Brush .....	40 mm .....	<b>512404</b>
	60 mm .....	<b>512406</b>
Adjustable nozzle .....	10 – 22 mm .....	<b>512422</b>
	23 – 42 mm .....	<b>512442</b>
	40 – 62 mm .....	<b>512462</b>
Pointed nozzle .....		<b>512451</b>
Round nozzle .....	5/4 x 30 mm .....	<b>512454</b>
Adjustable guide .....	0 – 25 mm for pointed / round nozzle .....	<b>512425</b>



512451



512454



512425

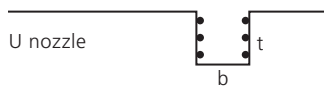


for grooves



513010

	Size w x d	Part no.
U nozzle glue outlets in the groove .....	4 x 5 mm .....	<b>513010</b>
	4 x 8 mm .....	<b>513011</b>







## for surfaces

	Size	Part no.
Surface roller .....	180 mm with rubber roller.....	<b>512602</b>
Replacement roller .....	180 mm width.....	<b>552610</b>
Gluing brush .....	50 x 35 mm .....	<b>512605</b>
Surface nozzle .....	70 mm .....	<b>512607</b>
	120 mm .....	<b>512612</b>
	180 mm .....	<b>512618</b>

## for joints



	Size	Part no.
Dowel nozzle .....	Ø 6 x 20 mm.....	<b>512801</b>
	Ø 8 x 25 mm.....	<b>512802</b>
	Ø 8 x 32 mm.....	<b>512803</b>
	Ø 3/8" x 30 mm.....	<b>512804</b>
	Ø 10 x 30 mm.....	<b>512805</b>
	Ø 12 x 40 mm.....	<b>512806</b>
	Ø 14 x 40 mm.....	<b>512807</b>
	Ø 15 x 45 mm.....	<b>512808</b>
	Ø 16 x 45 mm.....	<b>512809</b>
Dowel nozzle, double.....	Ø * mm, A = 32 mm .....	<b>512822</b>
Lamello nozzle .....	Size 0–20.....	<b>512846</b>
Tongue nozzle .....	70 x 30 x 4 mm (plastics) .....	<b>512854</b>
	without glue exit holes for individual positioning of the glue holes	
Universal tongue .....	30 x 100 x 4.5 mm .....	<b>512870</b>
	50 x 110 x 4.5 mm .....	<b>512871</b>
Roller nozzle .....	25 mm .....	Ø 7 mm .....
	50 mm .....	Ø 7 mm .....
	50 mm heavy duty.....	Ø 7 mm .....
	75 mm .....	Ø 9 mm .....
Replacement roll .....	50 mm .....	Ø 7 mm .....
	75 mm .....	Ø 9 mm .....
	25 mm .....	Ø 7 mm .....

\* according to your requirements

# Repairing with the **Minispot System**



For the repair of wood defects and damaged areas such as resin pockets, small knots or damaged edges



## How it works



1. Cut the wood defect



2. Apply the glue



3. Insert the Minispot patch

## Advantages and properties

System solution

Efficient and professional



### "Where all parts match"

- All necessary components such as machines, templates, cutters and patches are made for a precise fit



### "Field-proven and suited for the industry"

- Easy and fast positioning due to the markings and the see-through cover on templates and machines
- Efficient tools and standard attachment for dust extraction



"Front with anti-slide coating"



"Wood repair in the groove"

## G2A

The Minispot grooving machine to cut grooves for patch size 2

### Advantages and properties

- **Precision guidance with finished surface**
- **Easy positioning** due to see-through cover
- No slipping while cutting due to anti-slide coating
- **Sliding back cover** for closer cuts in the groove
- Suction stub for dust extraction

### Technical data

Power .....	780 W
Version .....	230 V
Speed .....	10'000 min <sup>-1</sup>
Cutter .....	Carbide tipped Minispot cutter size 2
Max. groove width .....	8 mm
Weight .....	3.1 kg

Minispot G2A	Part no.
in carton .....	111702

### Kit contains

Machine with:  
carbide cutter, tool set, manual

Accessories	Part no.
<b>Milling jig</b> for Minispot patching rods .....	<b>121702</b>
85 / 250 / 500 mm	
<b>for G20 / G20 S2 / G2A</b>	

Patches can be found on pages 84 – 85  
Accessories starting page 103

# Patches

## Patches

To patch wood defects and damaged areas



Profile	Size	Width mm	Height mm	Length mm	Quantity per box
	2	8	13	69	500
	20	20	11	65	160
	20 K	20	17	81	55
	22	15	13	69	200
	4	15	20	81	200

Sizes/wood types not listed here are available on request

### Other wood species are:

Alder  
Birch  
Brazil mahogany  
Carolina pine  
Cherry  
Chestnut  
Elm  
Framiré  
Hemlock  
Iroko  
Larch nat.  
Lime  
Mahogany  
Maple  
Merbau  
Obече  
Pear  
Ponderosa pine  
Poplar  
Ramin  
Red alder  
Red Cedar  
Red oak  
Sapelli  
Sipo  
Stone pine  
Teak  
White oak

Wood species	Size 2 100 pieces Part no.	Size 2 500 pieces Part no.	Size 4 200 pieces Part no.	Size 20 160 pieces Part no.
Spruce-fir <sup>1</sup>	15 0002 K100	15 0002*	15 0004	15 0020*
Spruce nat. <sup>2</sup>	15 0102 K100	15 0102*		15 0120
Nordic spruce <sup>3</sup>	15 0202 K100	15 0202*		15 0220*
Spruce, not glued	15 0002U K100	15 0002U		15 0020U
Pine <sup>1</sup>	15 0302 K100	15 0302*		15 0320
Nordic pine <sup>3</sup>	15 0402 K100	15 0402*	15 0404	15 0420*
Beech nat.	15 0702 K100	15 0702*		15 0720
Larch	15 0802 K100	15 0802*		15 0820*
Silver fir	15 1102 K100	15 1102*		15 1120
Beech	15 1602 K100	15 1602*		15 1620
Larch Siberian	15 5202 K100	15 5202*		15 5220
Douglas fir / Oregon Pine	15 2902 K100	15 2902		15 2920
Oak	15 3002 K100*	15 3002*		15 3020
Meranti	15 3202 K100	15 3202*		15 3220
Walnut	15 3502 K100	15 3502		

Jumbo Box	1500 pieces	500 pieces
Spruce-fir	15 0002J*	15 0020J
Larch	15 0802J	15 0820J
Pine	15 0302J	15 0320J

Industrial package	7000 pieces	200 pieces	2500 pieces
Spruce-fir	15 0002I*	15 0004I	15 0020I
Spruce nat. <sup>2</sup>	15 0102I		
Nordic spruce <sup>3</sup>	15 0202I		15 0220I
Pine <sup>3</sup>	15 0302I		15 0320I

Edge patches	Size 20K 55 pieces	850 pieces
Spruce-fir	15 0023	15 0023I
Larch siberian	15 5223	15 5223I

\* In stock / All other products in various sizes are available on request

Delivery approx. 2-5 weeks

Articles not in stock cannot be returned.



## Patches

Multibox	Quantity	Size	Part no.
with Minispot patches assorted	12 × 50 pieces	2	<b>156580</b>
beech, oak, ash, spruce-fir, pine, hemlock, cherry, larch, mahogany, walnut, sapelli, silver fir			

## Patching rods



Wood species	Size	Length			Quantity	Part no.
		85 mm	250 mm	500 mm		
Spruce-fir	2	85 mm			500	<b>15 0002L08</b>
			250 mm		100	<b>15 0002L25</b>
				500 mm	100	<b>15 0002L50</b>
Spruce-fir	22		250 mm		50	<b>15 0022L25</b>
				500 mm	50	<b>15 0022L50</b>
			85 mm		220	<b>15 0020L08</b>
Spruce-fir	20	85 mm			220	<b>15 0020L08</b>
			250 mm		45	<b>15 0020L25</b>
				500 mm	45	<b>15 0020L50</b>
Pine	2		250 mm		100	<b>15 0302L25</b>
				500 mm	100	<b>15 0302L50</b>
			85 mm		220	<b>15 5220L08</b>
Larch, Siberian	20	85 mm			220	<b>15 5220L08</b>
			250 mm		45	<b>15 5220L25</b>
				500 mm	45	<b>15 5220L50</b>

### Industrial package

Wood species	Size	Length**		Quantity	Part no.
		250 mm	500 mm		
Spruce-fir	20	250 mm		900	<b>15 0020IL25</b>
			500 mm	630	<b>15 0020IL50</b>
Pine	20	250 mm		900	<b>15 0320IL25</b>
			500 mm	630	<b>15 0320IL50</b>
Larch	20	250 mm		900	<b>15 0820IL25</b>
			500 mm	630	<b>15 0820IL50</b>

\*\* Nominal length = Traverse path



## Knot patches and crossbar pins

Knot patches box of 250 pieces	Ø 10 mm	Ø 15 mm	Ø 20 mm	Ø 25 mm	Ø 30 mm	Ø 35 mm
	Part no.	Part no.	Part no.	Part no.	Part no.	Part no.
Spruce-fir	<b>15 7010*</b>	<b>15 7015*</b>	<b>15 7020*</b>	<b>15 7025*</b>	<b>15 7030*</b>	<b>15 7035*</b>
Pine	<b>15 7110</b>	<b>15 7115</b>	<b>15 7120</b>	<b>15 7125</b>	<b>15 7130</b>	<b>15 7135</b>
Larch	<b>15 7210</b>	<b>15 7215</b>	<b>15 7220</b>	<b>15 7225</b>	<b>15 7230</b>	<b>15 7235</b>

Knot patches assorted	Part no.	Pieces per package:
Spruce-fir	<b>15 7050</b>	Ø 10 mm 100 pieces, Ø 15 mm 100 pieces, Ø 20 mm 150 pieces,
Pine	<b>15 7150</b>	Ø 25 mm 100 pieces, Ø 30 mm 50 pieces
Larch	<b>15 7250</b>	

Crossbar pin box of 1 kg	Ø 10 mm	Ø 15 mm	Ø 20 mm	Ø 25 mm	Ø 30 mm	Ø 35 mm
	Part no.	Part no.	Part no.	Part no.	Part no.	Part no.
Spruce-fir	<b>15 7010Q</b>	<b>15 7015Q</b>	<b>15 7020Q</b>	<b>15 7025Q</b>	<b>15 7030Q</b>	<b>15 7035Q</b>
Larch	<b>15 7210Q</b>	<b>15 7215Q</b>	<b>15 7220Q</b>	<b>15 7225Q</b>	<b>15 7230Q</b>	<b>15 7235Q</b>

\* In stock / All other products in various sizes are available on request, approx. 1–3 weeks

# Window renovation

*“The new Tanga DX200 is a powerful yet compact machine that we use on a daily basis!”*

*Jörn Mrohs, installation service, rekord Fenster und Türe*





# Window replacement with the **Tanga DX200**





# Clean and efficient window replacement

## Make your customer happy

### How it works



1. Use diamond disc or saw blade



2. Adjust cutting depth



3. Attach suction hose



4. Remove window

### Advantages and properties

**Easy to handle**  
Incorporates maximum cutting depth and power in a small, easy to use tool

**180°**

**Corner cuts**  
Rotating the base plate cover allows for corner and length cuts

**- 900 g**

**1700W**

**Long lifetime**  
Smooth-running, dust-removing column guide for optimal operating safety and a long product lifetime

**70mm**

**Cutting depth**  
Unparalleled cutting depth of 70 mm for clean window removal

# Tanga DX200

The light-weight power pack for the clean removal of windows



## No damage to the reveal with the Tanga DX200:

- Clean separation of the old window frame from the surrounding walls
- Minimal dust and dirt
- No subsequent plastering or painting required
- Faster, less expensive renovation
- Shorter over-all renovation time
- Greater working comfort

without Tanga DX200

with Tanga DX200



Now with quick clamping system

## Due to the screwless quick clamping system:

- Tools can be changed faster
- No lost screws, and screws are inserted straight
- No screws that cannot be loosened due to dirt or dust
- Driving pins also prevent the clamping flange from jamming

### Technical data

Power .....	1'700 W
	with electronic overload protection
Voltage .....	230 V
Speed .....	7'700 min <sup>-1</sup>
Cutting height .....	8 mm (groove width)
Weight.....	4.5 kg
Cutting depth .....	adjustable 0–60 mm
	(optional 0–70 mm with 200 mm saw blade)

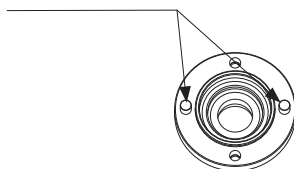
### Tanga DX200 with CE plug (\*AT, BE, DE, ES, FR, NL) Part no.

- Diamond blade Ø 180 mm, corner dust protection, toolkit, in systainer ..... **111570D**
- Tanga DX200 for window removals with rabbet stop**
- Diamond blade Ø 180 mm, saw blade Ø 200 mm, Z24, corner dust protection, toolkit, in systainer ..... **111570F**

### Tanga DX200 with SEV plug (\*CH) Part no.

- Saw blade Ø 200 mm, Z24, corner dust protection toolkit, in systainer ..... **111570**

Driving pins



111570



111570D



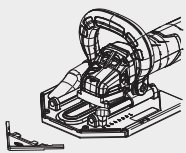
111570F

\* For specified markets  
Accessories starting page 104 – 105

# Tanga DX200 – Applications



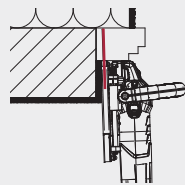
**Cuts into the reveal**



Turn base plate cover 180° and clip on the corner dust protection



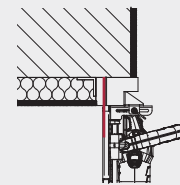
**Cuts into wooden frames**



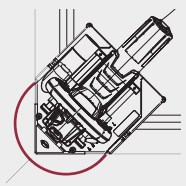
Straight cut for 70mm thick frames



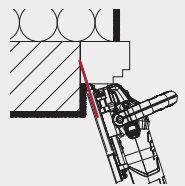
**Cuts using the rabbet stop**



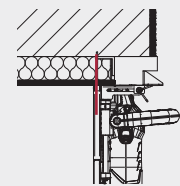
Place the machine in the rabbet and cut into the wooden frame



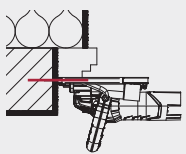
Cut into the corner



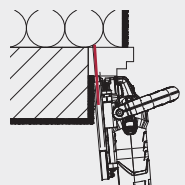
Angled cut for frames thicker than 70mm



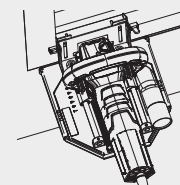
Place the machine in the rabbet and cut into the masonry



Straight cut, 60mm deep



**Tip:** Hold the machine at a slight angle to prevent scratches



Narrow rabbet stop for maximum cutting length

## What's new?



**900g lighter**  
Weight reduced from 5.4 kg to 4.5 kg. Ideal for overhead work



**Corner dust protection**  
Clip-on dust and work protection for corner cuts



**Height adjustment**  
Available as an accessory for adjusting the cutting height



**Rotating the base plate cover**  
Now with spring loaded balls to allow for smoother sliding



**Ergonomics**  
Large handle and small motor for effective machine guidance



**Only one base plate cover**  
The same base plate cover for longitudinal and corner cutting

# Edge processing with the **Profila**



# Profila

The edge profiling machine with electric or pneumatic motor for flush-milling, edge-milling and profiling of edges even on curved workpieces



Profila E plus

Profila Pro plus



Flush trim or round edges



Stepless fine adjustment

## Advantages and properties

- **Easy and stepless precision adjustment of the cutting depth by simply turning the base plate**
- Ideal for all standard cutters
- Small, variable tool opening for 25 and 34 mm
- Special coating on the base plate avoids leaving marks on the workpiece
- Large base plate
- High speed for a clean cut



Dust cover



All standard cutters

## Profila E plus, Profila Pro plus

- The opening in the base plate enables milling of **protruding edges** through application on the surface instead of the edge. This allows for stable guiding of the machine and milling of curved workpieces.
- Ideal for cutting protruding PVC edges

## Technical data

	Profila E plus	Profila Pro plus
Power .....	740 W	400 W
Voltage .....	230 V	
Speed .....	31'000 min <sup>-1</sup>	22'000 min <sup>-1</sup>
Base plate .....	Ø 100 mm with tool opening 34 mm, reducer 25 mm	
Weight.....	1.8 kg	1 kg
Air consumption .....		180 l/min
Operating pressure.....		max. 6.5 bar
Air consumption .....		¼" NPT

## Profila E plus

Profila E plus, base plate with gap ..... **Part no. 111962K**

## Profila Pro plus

Profila Pro plus, base plate with gap ..... **Part no. 111964**



**Profila E plus** (electric)  
For every work shop,  
use it anywhere



**Profila Pro plus** (pneumatic)  
Light and ergonomic handling  
only 1 kg

## Kit contains

Machine with:  
carbide tipped cutter Z2, R 2 mm, collet chucks 6mm and 8mm, tool set, manual, dust cover

Accessories starting page 106

# Cutting expansion gaps with the **Variocut**



# Variocut

The expansion gap and parquet cutter for gap width 4–8 mm



Gap width 4–8 mm



Cutting gap



Expansion gaps



Additional option: Wood repair

## Advantages and properties

- For minimal gap width from 4–8 mm
- Fast height adjustment 4–8 mm in tenths of a millimeter with the adjusting knob
- Plastic front cover for easy gliding on the ceiling or on the floor
- Can also be used for wood repairs with a Minispot cutter

## Application

- Expansion gaps on ceilings
- Various cuts with and cross grain
- Expansion gaps on floor boards
- Wood repairing (with Minispot cutter Part no. 132217)

## Technical data

Power .....	1'050 W
Voltage .....	230 V
Speed .....	10'000 min <sup>-1</sup>
Carbide tipped cutter .....	Z20, Ø 100 × 2.4 × 22 mm
Gap width.....	4 – 8 mm (1/10 per step), or more by use of a spacer
Cutting depth .....	adjustable 0 – 20 mm
Weight.....	3.5 kg

## Variocut

## Part no.

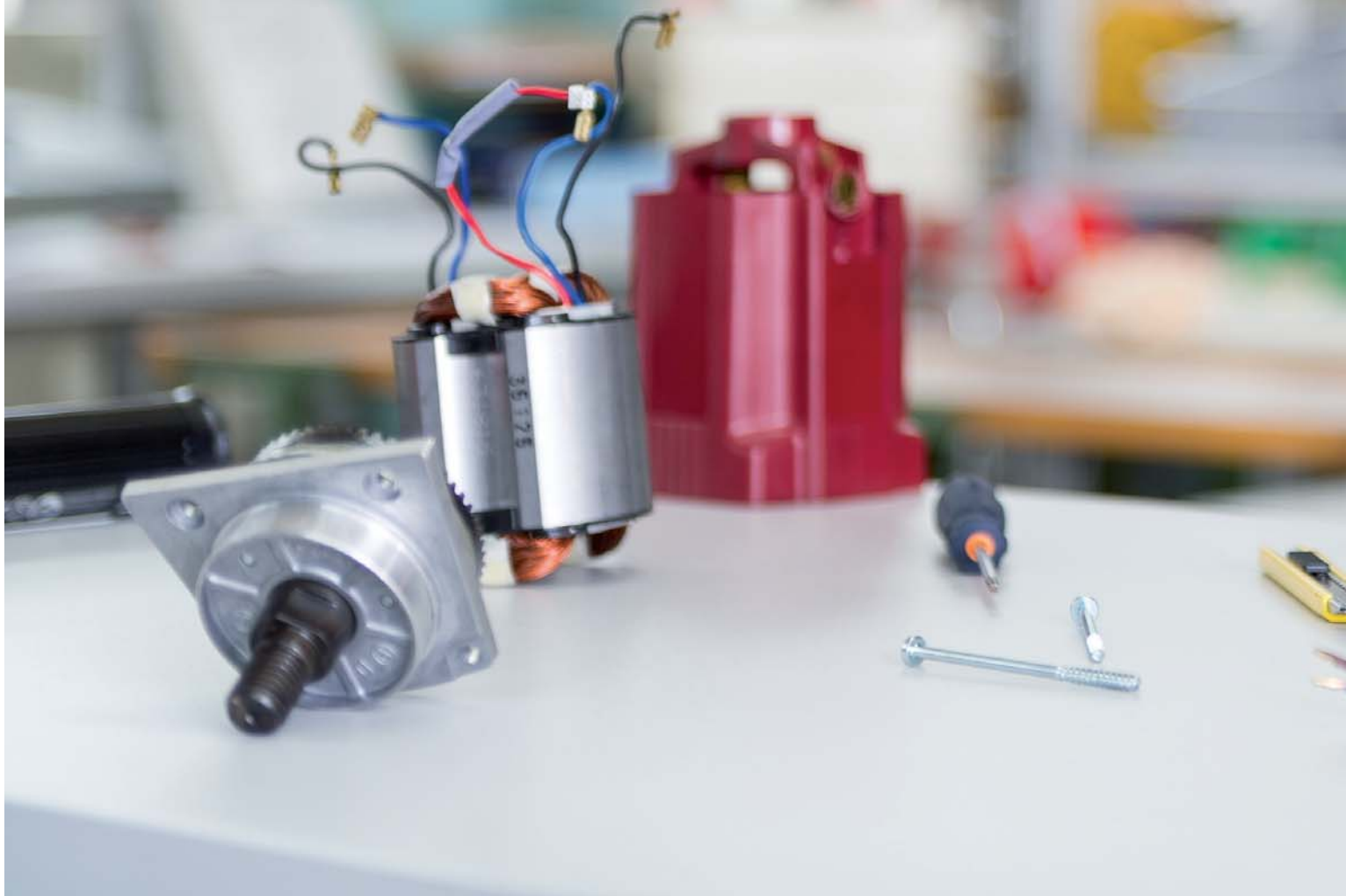
in wooden case..... **111450**

## Kit contains

Machine with:  
saw blade, tool set, manual

Accessories starting page 106

# Accessories / Spare Parts









125344

<b>P-System drill jig</b>	<b>Part no.</b>
P-System drill jig incl drill, from 22.5° ..... for all Clamex P connectors (P-10, P-14, P Medius 14/10)	<b>125344</b>
Angle for drill jig.....	<b>255250</b>
Element insert for size P-10.....	<b>255251</b>
Element insert for size P-14.....	<b>255252</b>



125345

<b>P-System drill jig long</b>	<b>Part no.</b>
Drill jig for thick workpieces 100 mm, (P-14, P Medius 14/10) .....	<b>125345</b>



131506

<b>Drill</b>	<b>Part no.</b>
Spiral drill Ø 6 mm with centering point, for standard drill jig.....	<b>131506</b>
Spiral drill Ø 6 mm with centering point, for long drill jig .....	<b>131508</b>
Depth adjuster for drill, 6 mm diameter .....	<b>255243</b>



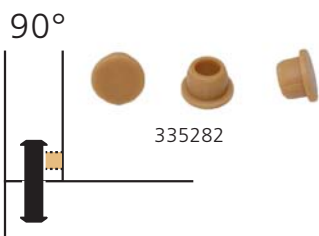
251993

<b>Clamex P assembly tool</b>	<b>Part no.</b>
for all angles, fast and flexible, hex 4 x 30 mm, length 290 mm.....	<b>251993</b>

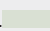
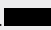
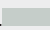
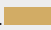
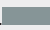

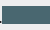
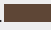
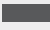


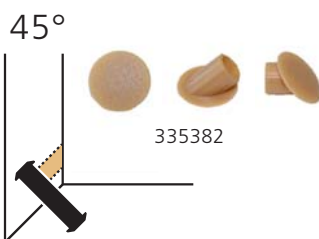
271945

<b>Allen key</b>	<b>Part no.</b>
4 mm, 75 x 55 mm.....	<b>271945</b>
4 mm, 120 x 50 mm.....	<b>271945A</b>

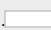
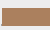
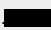
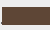
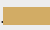
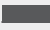


335282

<b>Cover caps, 100 pieces</b>			
<b>90°</b>	<b>Part no.</b>	<b>Part no.</b>	<b>Part no.</b>
RAL 9010, White.....	 <b>335280</b>	RAL 9002, Grey white .....	 <b>335285</b>
RAL 9011, Black.....	 <b>335281</b>	RAL 7035, Light grey.....	 <b>335286</b>
RAL 1014, Ivory.....	 <b>335282</b>	RAL 7040, Window grey .....	 <b>335287</b>
RAL 1011, Brown beige.....	 <b>335283</b>	RAL 7031, Blue grey.....	 <b>335288</b>
RAL 8007, Brown.....	 <b>335284</b>	RAL 7022, Umbra grey .....	 <b>335298</b>
RAL 8017, Dark brown.....	 <b>335289</b>		



335382

<b>45°</b>	<b>Part no.</b>	<b>Part no.</b>	
RAL 9010, White.....	 <b>335380</b>	RAL 1011, Brown beige.....	 <b>335383</b>
RAL 9011, Black.....	 <b>335381</b>	RAL 8017, Dark brown.....	 <b>335384</b>
RAL 1014, Ivory.....	 <b>335382</b>	RAL 7022, Umbra grey .....	 <b>335388</b>



**Divario P-18 Installation tool** **Part no.**  
 Divario P-18 Installation tool for fixing the Divario in the workpiece ..... **125500**

**Divario P-18 Marking jig in metal with marking points** **Part no.**  
 Marking jig incl. drill with centering point and rotating depth collar  
 for the precise drilling of Divario drill holes by hand ..... **125510**

**Divario P-18 Marking jig in plastic, to mark with a pencil** **Part no.**  
 Marking jig to mark the Divario holes with a pencil..... **125511**



**Tenso P-10 / P-14 Preload tool** **Part no.**  
 Tool to pre-load the Tenso P ..... **145400**



**P-System groove cutter, Ø 100.4 x 7 x 22 mm** **Part no.**  
 Z3, diamond dipped ..... **for Zeta (P-System)..... 132140**

**P-System groove cutter, Ø 100.9 x 7 x 22 mm** **Part no.**  
 Z3, carbide tipped ..... **for Zeta (P-System)..... 132141**



**Stop square for Zeta P2, Top 21, Classic X** **Part no.**  
 For stabilising the biscuit joiner in the vertical position,  
 ideal for obtuse miter joints..... **251044**



**Spacer for biscuit joiner** **Part no.**  
 5 mm, aluminium for 18 mm panels..... **for Top 21 / Zeta / Classic..... 253027**  
 2 mm, plastic for 16 mm panels ..... **for Top 21 / Zeta / Classic..... 253023**  
 4 mm, plastic for miters ..... **for Top 21 / Zeta / Classic..... 253026**



**Systainer T-Loc Size II** **Part no.**  
 Systainer II T-loc, empty ..... **331565**  
 Insert with two partitions for systainer II ..... **360016**  
 Insert systainer T-loc II for Zeta P2, Top21, Classic X ..... **360014**

331565E



# Accessories / Lamello-System



132000

<b>Carbide tipped groove cutter, Ø 100 x 4 x 22 mm</b>		<b>Part no.</b>
Z2 + V4 scoring teeth, 4 screw holes, hub .....	<b>for Zeta, Top 20, Top 21, Classic..</b>	<b>132000</b>
Z6 alternating teeth, without hub, with spacer .....	<b>for Classic.....</b>	<b>132106</b>
Countersunk bolts, M4 x 8, Torx .....		<b>352408T</b>



132106

<b>Carbide tipped groove cutter, Ø 78 x 3 x 22 mm</b>		<b>Part no.</b>
Z4, 4 Screw holes, with hub for biscuit H9.....	<b>for Zeta, Top 20, Top 21, Classic..</b>	<b>132009</b>



132001

<b>Carbide tipped groove cutter with reversible blades, Ø 100 x 4 x 22 mm</b>		<b>Part no.</b>
Z2 + V2, 4 screw holes with hub .....	<b>for Zeta, Top 20, Top 21, Classic..</b>	<b>132001</b>
Z4 + V4, 4 screw holes without hub, with spacer.....	<b>for Zeta, Top 20, Top 21, Classic..</b>	<b>132130</b>
Set of 4 pieces .....	<b>for Part no. 132001.....</b>	<b>132111</b>
Countersunk screws.....	<b>for Part no. 132001.....</b>	<b>352408T</b>
Allen key, 4 mm long .....	<b>for Part no. 132001.....</b>	<b>271959L</b>
Set of 10 pieces main teeth .....	<b>for Part no. 132130.....</b>	<b>132134</b>
Set of 10 pieces scoring teeth.....	<b>for Part no. 132130.....</b>	<b>132135</b>
Replcement-Set, 4 scoring teeth + 4 main teeth .....	<b>for Part no. 132130.....</b>	<b>132133</b>
Screws .....	<b>for Part no. 132130.....</b>	<b>352130</b>
Torx key .....	<b>for Part no. 132130.....</b>	<b>352133</b>

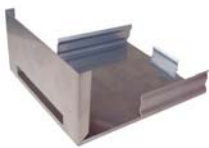


132130



132108

<b>Carbide tipped groove cutter with reversible blades, Ø 100 x 8 x 22 mm (Clamex S connector)</b>		<b>Part no.</b>
Z4 + V4, 4 screw holes .....	<b>for Top 20, Top 21, Classic .....</b>	<b>132108</b>
Set of 10 pieces scoring teeth .....	<b>for Part no. 132108.....</b>	<b>132137</b>
Set of 10 pieces main teeth .....	<b>for Part no. 132108.....</b>	<b>132136</b>
Replacement-Set, 4 scoring teeth + 4 main teeth.....	<b>for Part no. 132108.....</b>	<b>132114</b>



251057

<b>Slide shoe, to protect the wall and the machine</b>		<b>Part no.</b>
From year of manufacture 1999 .....	<b>for Experta, Classic C2, C3.....</b>	<b>251057</b>
	<b>Top 20, S, S2, S3, S4, Top 21, Zeta</b>	



132350

<b>Carbide tipped saw blades for expansion gaps, Ø 100 x 2.4 x 22 mm</b>		<b>Part no.</b>
Z20, 4 screw holes, 2 spacers .....	<b>for Zeta, Top 20, Top 21, Classic..</b>	<b>132350</b>

<b>Accessories for saw blades</b>		<b>Part no.</b>
Spacer, 40 x 20 x 1mm with screw holes .....	<b>for Zeta, Top 20, Top 21, Classic..</b>	<b>322510</b>
Flange M8 .....	<b>for Zeta, Classic.....</b>	<b>252502</b>



125250

<b>Clamex S drill jig 30° - 150°</b>		<b>Part no.</b>
Drill jig (60 mm) incl. drill for Clamex S.....		<b>125240</b>

<b>Clamex S installation set</b>		<b>Part no.</b>
Drill jig for 30° - 150° incl. drill and carbide tipped groove cutter.....		<b>125250</b>
with reversible blades 8 mm (132108) .....	<b>for Lamello biscuit joiner</b>	

## Setup of the machine for cutting expansion gap

Classic C2, C3, 3S Pa, Zeta	8 mm	9 mm	10 mm	11 mm	12 mm
Top 20, S2, S3, S4, Top 21	-2	-1	±0	+1	+2

# Accessories / Drilling Systems



256300



276312



276306



136312



136310



136311



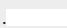

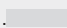
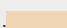

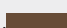




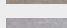
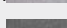
136313



186350W

<b>Cabineo installation tool</b>		<b>Part no.</b>
Cabineo tool with handle.....		<b>256300</b>
Cabineo hex bit 1/4" GL 120mm .....		<b>276312</b>
Cabineo hex bit 1/4" GL 80mm .....		<b>276306</b>
Cabineo hex bit 1/4" GL 80mm, 100 pieces .....		<b>276307</b>

<b>Cabineo drill / cutter</b>		<b>Part no.</b>
Cabineo drill Ø 15 mm with short centering point 0.8 mm .....		<b>136312</b>
Cabineo cutter Ø 10 mm.....		<b>136310</b>
Cabineo cutter Ø 12 mm.....		<b>136311</b>
Cabineo drills for aggregate, set with 3 pcs Ø15 mm (RL/LL/RL) carbide tipped .....		<b>136313</b>

<b>Cabineo cover caps</b>	<b>Part no.</b>	
	<b>100 pcs</b>	<b>2000 pcs</b>
Plastic signal white RAL 9003 .....	 <b>186350S</b>	<b>186351S</b>
Plastic pure white RAL 9010 .....	 <b>186350W</b>	<b>186351W</b>
Plastic papyrus white RAL 9018 .....	 <b>186350P</b>	<b>186351P</b>
Plastic light ivory RAL 1015 .....	 <b>186350H</b>	<b>186351H</b>
Plastic brown beige RAL 1011 .....	 <b>186350B</b>	<b>186351B</b>
Plastic fawn brown RAL 8007 .....	 <b>186350R</b>	<b>186351R</b>
Plastic window grey RAL 7040 .....	 <b>186350F</b>	<b>186351F</b>
Plastic mouse grey RAL 7005 .....	 <b>186350A</b>	<b>186351A</b>
Plastic jet black RAL 9005 .....	 <b>186350T</b>	<b>186351T</b>
Metal look nickel .....	 <b>186350N</b>	<b>186351N</b>
Metal look silver.....	 <b>186350C</b>	<b>186351C</b>
Metal look dark steel.....	 <b>186350D</b>	<b>186351D</b>

# Accessories / Gluing System



	Part no.
<b>LK 3, LK 5, LK 10</b>	
<b>LK Service cart</b> .....	<b>533205</b>
The mobile station for LK 10, LK 5 und LK 3:	
–Adjustable suspension rod	
–Incl. service container cover and grid basket to submerge nozzles in water when not in use, volume 3 l (533255)	
–Dimensions 410 x 410 x 850 mm	
<b>LK Rolling base with handle</b> .....	<b>533204</b>
For LK 5 and LK 3:	
–On 4 wheels with pushing handle	
–Complete with water container and hook for suspension of hose	
–Dimensions 254 x 254 x 820 mm	
<b>LK Rolling base</b> .....	<b>533201</b>
Allows pulling behind by hose of LK 5 and LK 3:	
–Lowered platform for stability of the glue applicator	
–Dimensions 254 x 254 mm	

	Part no.
Connector.....	3/4" for water tap ..... <b>533250</b>
	US for water tap..... <b>533251</b>
Cleaning brush.....	Ø 40 x 100 mm..... length 340 mm ..... <b>533252</b>
	round Ø 6 mm..... length 340 mm ..... <b>533253</b>
Service container.....	Volume 3 litres with mesh basket for 533205 ..... <b>533255</b>
Water reservoir complete .....	Inside dimensions Ø 60 x 90 mm..... <b>533260</b>
	Inside dimensions 134 x 60 x 60 mm ..... <b>533261</b>
Distributor .....	for 2 – 3 additional hoses ..... <b>533238</b>
Connector .....	with external thread ..... M8 ..... <b>533230</b>
	with 2 screws ..... M4 x 10 ..... <b>533240</b>
	for round nozzle + pointed nozzle ..... <b>583208</b>
Hose mounted .....	Ø 10 x 4000 mm..... <b>533215</b>
	Ø 13 x 4000 mm..... <b>533216</b>
Hose .....	Ø 10 mm per meter..... <b>553210</b>
	Ø 13 mm per meter..... <b>553213</b>
Hose connector set .....	Ø 10 mm..... <b>533222</b>
	Ø 13 mm..... <b>533223</b>
Empty glue container .....	incl. cover with 1 hole..... 3 kg..... <b>533224</b>
	incl. cover with 1 hole..... 5 kg..... <b>533225</b>
	incl. cover with 2 holes ..... 10 kg..... <b>533226</b>
Lid for glue container .....	without hole..... 5 kg..... <b>553205</b>
Lid for glue container .....	without hole..... 10 kg..... <b>553224</b>
Bracket with 2 screws for roller nozzle.....	<b>552822</b>
Pump hose.....	<b>552029</b>

<b>Dosicol / Minicol / Servicol</b>	Part no.
Glue bottle with metering pump . <b>for Dosicol</b> .....	<b>287012</b>
Metering pump complete..... <b>for Dosicol</b> .....	<b>287013</b>
Cap for glue bottle..... <b>for Dosicol</b> .....	<b>337001</b>
Base..... <b>for Dosicol</b> .....	<b>287010</b>
Water container .....	<b>for Dosicol</b> ..... <b>337040</b>
Adapter for nozzels..... <b>for Dosicol</b> .....	<b>533232</b>
Glue bottle Minicol, Servicol..... <b>for Minicol / Servicol</b> .....	<b>335510</b>
Base, solid wood for Minicol..... <b>for Minicol</b> .....	<b>285515</b>
Base, plastic for Servicol .....	<b>for Servicol</b> ..... <b>335513</b>

# Accessories / Repairing



<b>Carbide tipped cutters for Lamello wood repair machines</b>		<b>Part no.</b>
100 × 8 × 22 mm, Z4, 4 screw holes (fits all Lamello biscuit joiners)	for Minispot patches	<b>132217</b>
	<b>Size 2</b>	
100 × 15 × 22 mm, Z4	for Minispot patches	<b>132209</b>
	<b>Size 22</b>	
100 × 15 × 22 mm, Z4	for Minispot patches	<b>132208</b>
	<b>Size 4</b>	
100 × 20 × 22 mm, Z4 (our recommendation)	for Minispot patches	<b>132222</b>
	<b>Size 20</b>	
100 × 20 × 22 mm, Z2 with profile blades	<b>Size 20</b>	<b>132220</b>
Profile blades for Part no. 132220	<b>Size 20</b>	<b>132221</b>
<b>Carbide tipped saw blade Z20</b>		<b>Part no.</b>
Ø 100 × 2.4 × 22 mm	for Patchmaker 2, Patchmaker 20, Variocut	<b>132301</b>
Ø 100 × 2.4 × 22 mm with 2 spacers	for Patchmaker 2, Patchmaker 20, Variocut	<b>132350</b>
<b>Carbide tipped profile cutter Z2</b>		<b>Part no.</b>
Shaft-Ø 8 mm	for Patchmaker 2	<b>131600</b>
<b>Carbide tipped profile cutter Z2+2</b>		<b>Part no.</b>
Ø 80 × 29 × 20 mm	for Patchmaker 20	
	for 1 × Size 20	<b>131620</b>
	for 2 × Size 2	<b>131621</b>

# Accessories / Window replacement

Accessories  
Tanga DX200  
Now with  
quick clamping  
system



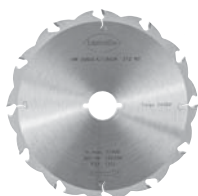
132530



132531



132532



132330



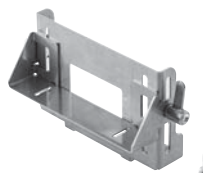
132331



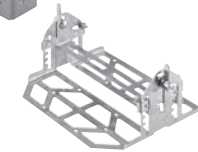
132332



132333



121564



121565

Diamond blades	for Tanga DX200	Part no.
<b>Ø 180 × 2.4 × 29 mm (cutting depth 60 mm)</b> Cuts concrete, brick, plaster or tiles. With very high cutting performance .....		<b>132530</b>
<b>Ø 200 × 2.4 × 29 mm (cutting depth 70 mm)</b> Cuts concrete, brick, plaster or tiles .....		<b>132531</b>
<b>Ø 200 × 1.8 × 29 mm (cutting depth 70 mm)</b> Cuts plastic frames with steel frame reinforcement .....		<b>132532</b>

Saw blades	for Tanga DX200	Part no.
<b>Ø 200 × 2.4 × 29 mm (cutting depth 70 mm)</b> Z12, cuts into wooden frames .....		<b>132330</b>
<b>Ø 200 × 2.2 × 29 mm (cutting depth 70 mm)</b> Z24, 4 NL, cuts into wooden frames. Very high cutting performance and increased lifetime with 24 teeth .....		<b>132331</b>
<b>Ø 200 × 2.2 × 29 mm (cutting depth 70 mm)</b> Z32, cuts into aluminium frames .....		<b>132332</b>
<b>Ø 200 × 2.2 × 29 mm (cutting depth 70 mm)</b> Z30, cuts into wooden frames. Very high resistance to screws with 30 teeth .....		<b>132333</b>

Accessories	for Tanga DX200	Part no.
<b>Rabbit stop 0 to 50mm</b> For placement in the rabbet instead of on the reveal or the frame surface. Ideal for situations where the window is flush with the wall .....		<b>121564</b>
<b>Height adjustment 0 to 50mm</b> Allows the cutting height to be adjusted depending on the application .....		<b>121565</b>



# Accessories / Window replacement



132320



132322



132323



132324



132522



132523



132519



121556

321548



132312



132382

Carbide tipped saw blades	for Tanga Delta	Part no.
<b>Ø 200 × 2.4 × 22 mm (cutting depth 68 mm)</b>		
Z12, 4 screw holes .....		132322
<b>Ø 200 × 2.4 × 22 mm (cutting depth 68 mm)</b>		
Z24, 4 screw holes .....		132320
<b>Ø 200 × 2.2 × 22 mm (cutting depth 68 mm)</b>		
Z24, 4 NL, higher resistance against screws, high cutting performance.....		132323
<b>Ø 200 × 2.4 × 22 mm (cutting depth 68 mm)</b>		
Z24, 4 NL, (only suited for cutting into the wood without moving the machine).....		132321
<b>Ø 200 × 2.2 × 22 mm (cutting depth 68 mm)</b>		
Z32, for aluminium windows.....		132324
Screw M4 × 8 for saw blades .....		352408F

Carbide tipped saw blades	for Tanga Swiss, 1811, Dia	Part no.
<b>Ø 180 × 2.4 × 22 mm (cutting depth 58 mm)</b>		
Z12, 6 screw holes .....		132317
<b>Ø 180 × 2.4 × 22 mm (cutting depth 58 mm)</b>		
Z24, 6 screw holes .....		132318
<b>Ø 180 × 2.4 × 22 mm (cutting depth 58 mm)</b>		
Z24 special, 6 screw holes, only for cutting into the wood without moving the machine ....		132319

Diamond blades	for Tanga Delta	Part no.
<b>Ø 200 × 2.6 × 22 mm (cutting depth 68 mm)</b>		
4 screw holes, for a clean cut into tiles and plaster .....		132517
<b>Ø 200 × 2.6 × 22 mm (cutting depth 68 mm)</b>		
4 screw holes, segmented for soft materials .....		132522
<b>Ø 200 × 1.8 × 22 mm (cutting depth 68 mm)</b>		
4 NL, for PVC windows with steel core .....		132523
<b>Ø 180 × 2.6 × 22 mm (cutting depth 58 mm)</b>		
4 NL.....		132519

**Attention:**  
Always use original Lamello tools only for perfect cutting quality and to prevent damage to the machine

Accessories		Part no.
Rabbit stop for Tanga .....	for Tanga Delta H, S2 .....	121556
Base plate for corners.....	for Tanga Delta H, S2 .....	321548
2 rolls for base plate.....	for Tanga Delta H, S2 .....	251554
M5 × 8 screws for sliding guide.....	for Tanga Delta H, S2 .....	352509

Carbide tipped saw blades	for 3S Pa	Part no.
Ø 120 × 2.4 × 22 mm, Z20, with 2 spacers.....		132312
Ø 120 × 2.4 × 22 mm, Z20, with flange M8 .....		132382

Accessories for saw blades		Part no.
Flange M8, with screws (M4 × 6, Part no. 352406).....		252502
Spacer .....	40 × 22 × 1 mm .....	for 3S Pa..... 322501
	40 × 22 × 0.5 mm .....	for 3S Pa..... 322502



# Accessories / Laminate trimmer



131987



121982



121983

<b>Carbide tipped edge cutters</b>		<b>Part no.</b>
Radius 2 mm, shaft-Ø 8 mm.....	<b>for Profila E, P</b> .....	<b>131987</b>

<b>Base plates</b>		<b>Part no.</b>
with gap, Ø 100 mm.....	<b>for Profila E</b> .....	<b>121982</b>
	<b>for Profila, Pro</b> .....	<b>121987</b>
without gap, Ø 100 mm.....	<b>for Profila E</b> .....	<b>121983</b>
	<b>for Profila P2, Pro plus</b> .....	<b>121984</b>

<b>Collet chucks</b>		<b>Part no.</b>
6 mm.....	<b>for Profila E (L 48, L 50, 230 V)</b> ....	<b>251960</b>
8 mm .....	<b>for Profila E (L 48, L 50, 230 V)</b> ....	<b>251962</b>
1/4" .....	<b>for Profila E (L 48, L 50, 230 V)</b> ....	<b>251961</b>
6 mm.....	<b>for Profila E (L 51, 120 V)</b> .....	<b>251963</b>
8 mm.....	<b>for Profila E (L 51, 120 V)</b> .....	<b>251978</b>
1/4" .....	<b>for Profila E (L 51, 120 V)</b> .....	<b>251964</b>
6 mm.....	<b>for Profila P2, Pro, Pro plus</b> .....	<b>251966</b>
8 mm.....	<b>for Profila P2, Pro, Pro plus</b> .....	<b>251988</b>
1/4" .....	<b>for Profila P2, Pro, Pro plus</b> .....	<b>251967</b>



121900

<b>Dust cover</b>		<b>Part no.</b>
Individually adjustable position, with stopper for the bearing ..	<b>for Profila P2, Pro, Pro Plus</b> .....	<b>121900</b>



131822

<b>Carbide tipped reversible blades (3 pieces)</b>		<b>Part no.</b>
45 × 12 × 1.5 mm, angle 55°.....	<b>for Cantex Ergo, Plano 45</b> .....	<b>131822</b>
(from 2006)		
45 × 12 × 1.5 mm, angle 45°.....	<b>for Cantex, Plano 45</b> .....	<b>131823</b>
(until 2006)		



131980

<b>Carbide tipped profile cutter</b>		<b>Part no.</b>
Ø 30 mm .....	<b>for Lamina, 90° and 35°</b> .....	<b>131980</b>



121290

<b>Parallel guide stop for Cantex Ergo / S2</b>		<b>Part no.</b>
Parallel guide stop for Cantex Ergo / S2 .....		<b>121290</b>
For efficient flush-milling of protruding wood edges on materials with finished surfaces (melamine, veneer)		
Prevents cutting into the finished surface!		

# Accessories / Grooving machine



132350

<b>Saw blade Ø 100 × 2.4 × 22 mm</b>		<b>Part no.</b>
Z20, with 2 spacers .....	<b>for Variocut</b> .....	<b>132350</b>
Z20, without spacer rings.....	<b>for Variocut, Patchmaker 2</b> .....	<b>132301</b>

# Dust collection accessories



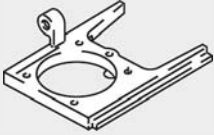
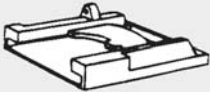
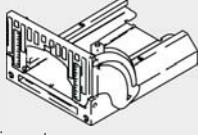
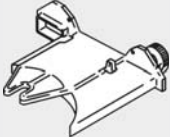
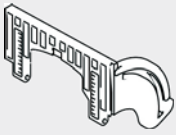




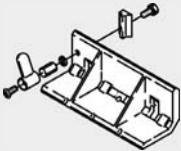
Suction set complete		Part no.
Suction set 23 .....	<b>for biscuit joiners, Variocut, 3S, G2A</b> .....	<b>121810</b>
	Inner diameter 23 mm	
	3 m suction hose black	
	Conical connecting piece for hose Ø 30–42 mm	
Suction set 30 .....	<b>for Tanga Delta, G20</b> .....	<b>121820</b>
	Inner diameter 30 mm	
	4 m Suction hose with adapter 58 mm	



Parts		Part no.
Suction hose .....	black .....	int. Ø 23 mm, per Meter..... <b>331808</b>
Connecting piece .....	conical.....	for suction hose, int. Ø 23 mm . <b>331802</b>
Suction hose adapter .....	<b>for suction set 23 and 30</b> .....	<b>331805</b>
	54 and 58 mm	
Suction stub 23 mm.....	<b>for biscuit joiner, Perfora,</b> .....	<b>331006</b>
	<b>Trimming unit Patchmaker</b>	
Deflector stub .....	<b>for biscuit joiner</b> .....	<b>331005</b>
Extractor stub 36 mm.....	<b>for biscuit joiner</b> .....	<b>331007</b>
	(Festool compatible)	
Dust bag .....	<b>for biscuit joiner</b> .....	<b>337530</b>
Dust bag and extractor stub Ø 36 mm .....	<b>for biscuit joiner</b> .....	<b>257530</b>
Dust bags .....	<b>for Part no. 283035</b> .....	10 pieces ..... <b>283030</b>
Suction stub LMA-74 .....	<b>for 3S, G2A, G2, Junior 10, Dynamic,</b> .....	<b>281804</b>
	<b>Directa, Top</b>	
	fits suction hose, int. Ø 23 mm	



# Spare parts

Guide		25 4301	Zeta / Zeta P2
		25 4301	Top 21
		25 4301	Top 20 S2 / S3 / S4
		25 4301	Top 20 / Top 20 S
			Top 10
			Classic X
		25 4550	Experta / Classic C3
		25 4550	Classic C2
			Classic
			Standard 10A
		25 1300	Junior 10 / Standard 10
		25 1705	Minisport G2A
		25 1210	Minisport G2
		25 6101	Minisport G20 S2
		25 1210	Minisport G20
		25 1210	3S
		25 4552	3S Pa
		25 7001	Tanga Swiss
		25 6101	Tanga 1811 S / 1811 S2
		25 1210	Tanga 180 / 1811
		25 1550	Tanga Delta
Base plate			
Base plate incl. Swivelling stop		25 1040	
		25 7571	
		25 1050	
		25 1050	
Cassette		25 1055	
		25 1055	
		25 1055	
		25 1055	
Swivelling stop		25 1042	
		25 1042	
		25 1052	
		25 1052	
Spacer 4 mm		25 3026	
		25 3026	
		25 3024	
		25 3024	
		25 3022	
		25 3026	
		25 3024	
		25 3024	
		25 3022	
Spacer 2 mm		25 3023	
		25 3023	
		25 3029	
		25 3029	
		25 3028	
		25 3023	
		25 3029	
		25 3029	
		25 3028	
		25 3028	
Anti-slip pad		33 1050	
		33 1050	
		33 1050	
		33 1050	
Front stop, plastic			
		25 1704	
		25 1704	
		25 1731	
		25 1731	
		25 1322	
		25 1322	
Stop square		25 1044	
		25 1044	
		25 1054	
		25 1054	
		25 1044	
		25 1054	
		25 1054	



# P-System



P-system configurator on our website

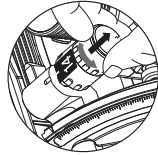
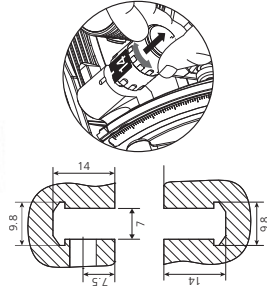


# P-System



**P-System cutter** Part no. 132140  
 Ø 100.4 x 7 x 22 mm, Z3  
 Diamond tipped 132140  
 Carbide tipped 132141

## Clamex P-14



### Detachable connecting connector

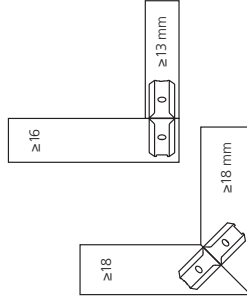
**Size** 64 x 27 x 9.7 mm

### Tensile strength

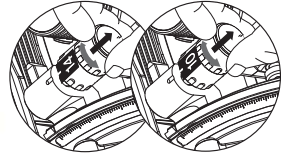
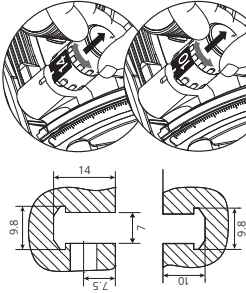
Particle board: ~ 800 N  
 Beech: ~ 1'000 N

### Part no.

80 pairs **145334**  
 300 pairs **145346**  
 1000 pairs **145356**



## Clamex P Medius 14 / 10



### Detachable connecting connector for center panels

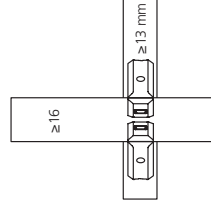
**Size** 64 x 13.5 x 9.7 mm  
 52 x 7.5 x 9.7 mm

### Tensile strength

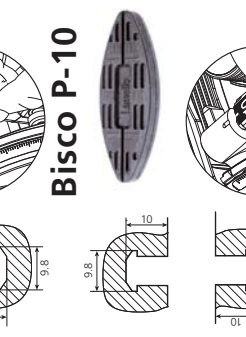
Particle board: ~ 700 N  
 Beech: ~ 900 N

### Part no.

80 pairs **145370**  
 300 pairs **145371**  
 1000 pairs **145377**



## Bisco P-14



### Aligning element suitable for Clamex P-14 + Tenso P-14 and Clamex P-10

**Size** 65 x 27 x 7 mm  
 52 x 19 x 7 mm

### Bisco P-14

65 x 27 x 7 mm

### Bisco P-10

52 x 19 x 7 mm

### Part no.

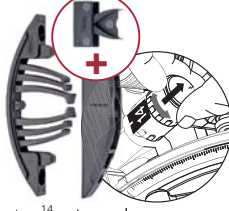
80 pieces **145301**  
 300 pieces **145302**  
 1000 pieces **145303**

### Part no.

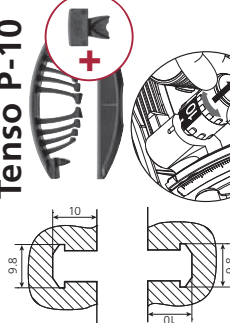
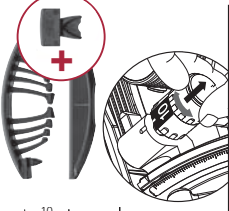
80 pieces **145304**  
 300 pieces **145305**

Bisco P-14: Ideal for dry assembly before gluing with Tenso P-14

## Tenso P-14



## Tenso P-10



### Self-clamping connector as gluing aid

**Size** 66 x 27 x 9.7 mm

### Tightening force

per connector: ~ 150 N

### P-10 size

52 x 27 x 9.7 mm

### Tightening force

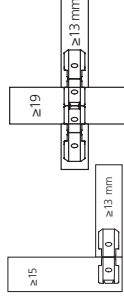
per connector: ~ 100 N

### Part no.

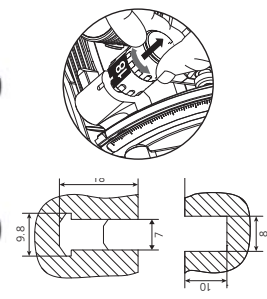
80 pairs **145415**  
 300 pairs **145425**  
 1000 pairs **145435**

### Part no.

800 pairs **145418**  
 300 pairs **145428**  
 1000 pairs **145438**



## Divario P-18



### Self clamping, invisible connector for slide insertion

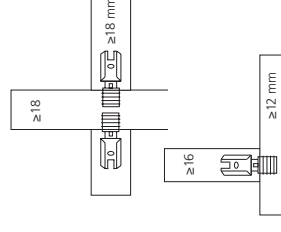
**Size** 65 x 16 x 9.7 mm

### Tensile strength

all materials: ~ 600 N

### Part no.

80 pairs **145550**  
 300 pairs **145560**  
 1000 pairs **145570**



# Lamello

## Lamello-System

www.lamello.com

Carbide tipped groove cutter Part no.

Ø 100 x 4 x 22 mm

for Zeta, Top, Classic

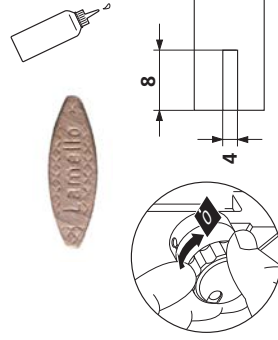
for Classic  
132106

132000

132106



### original wooden biscuit

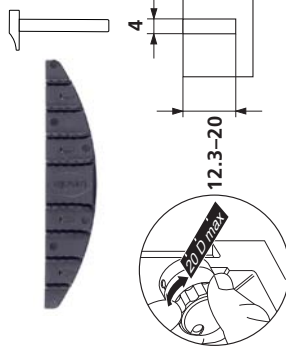


**0**  
1000 pieces  
**Part no.** 144000  
**Size** 47 x 15 x 4 mm



**20**  
1000 pieces  
**Part no.** 144020  
**Size** 56 x 23 x 4 mm

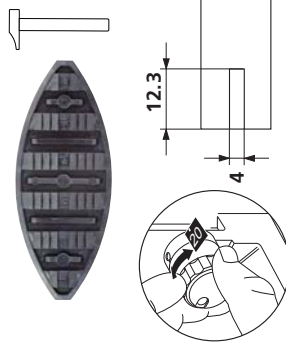
### E20-L



**Self-clamping element**  
**Size** 56 x 11.5 x 4 mm

**Part no.**  
**145022**  
**145025**  
**145027**

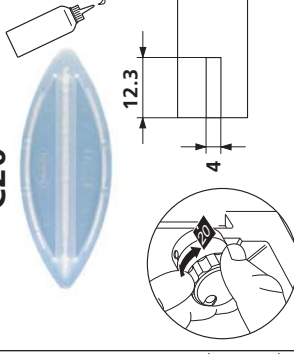
### K20



**Clamping element**  
**Size** 60 x 24 x 4.5 mm

**Part no.**  
**145001**  
**145000**

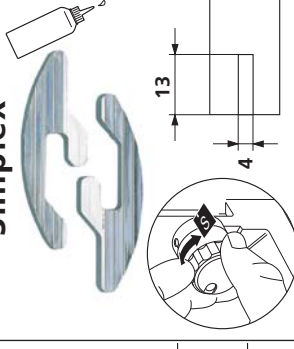
### C20



**Biscuit for solid surface**  
**Size** 60 x 23 x 4 mm

**Part no.**  
**145010**

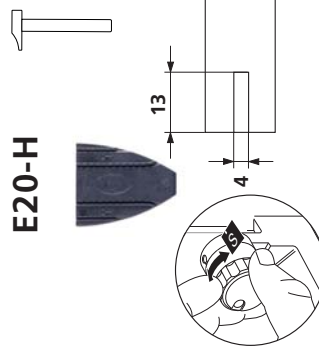
### Simplex



**Detachable slide-in connector**  
**Size** 54 x 23 x 4 mm

**Part no.**  
50 pairs **166101**  
100 pairs **166100**

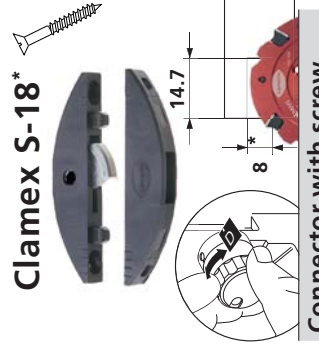
### E20-H



**Self-clamping element**  
**Size** 23 x 28 x 4 mm

**Part no.**  
**145021**  
**145026**  
**145028**

### Clamex S-18\*

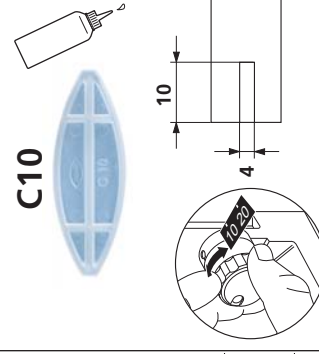


**Connector with screw insertion**  
**Size** 66 x 29 x 8 mm

\* Cutter with reversible blades:  
Ø 100 x 8 x 22 mm, Part no. 132108

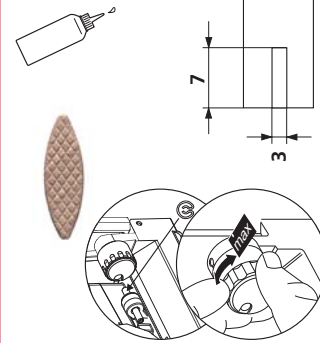
**Part no.**  
18 pairs **145231**  
80 pairs **145236**  
300 pairs **145241**  
1000 pairs **145251**

### C10



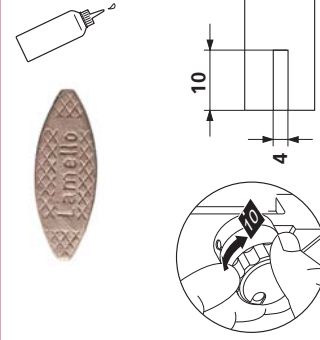
**Biscuit for solid surface**  
**Size** 53 x 19 x 4 mm

**Part no.**  
300 pieces **145012**



**H9\*\***  
1000 pieces  
**Part no.** 144009  
**Size** 38 x 12 x 3 mm

\*\* Carbide tipped groove cutter  
Ø 78 x 3 x 22 mm, Part no. 132009



**10**  
1000 pieces  
**Part no.** 144010  
**Size** 53 x 19 x 4 mm



Subject to modifications and amendments

©Lamello AG. The content of this brochure is protected by copyright and cannot be used for any other purpose without the written consent of Lamello AG.



Manufacturer:  
**Lamello AG**  
Joining technology  
Hauptstrasse 149  
CH-4416 Bubendorf  
Tel. +41 61 935 36 36  
Fax +41 61 935 36 06  
info@lamello.com  
www.lamello.com

Catalog 2019/2020

Part no. 9880050EN